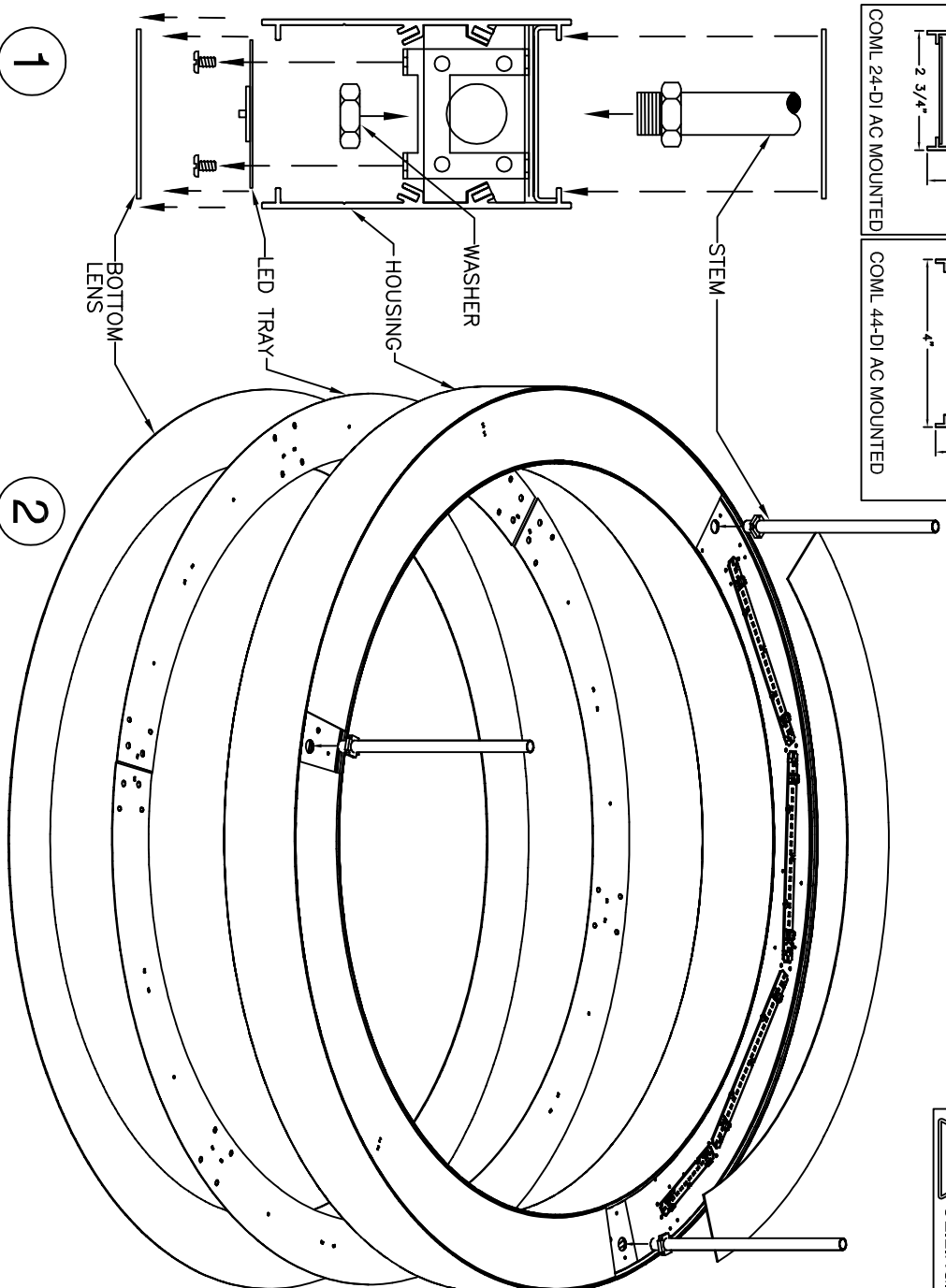
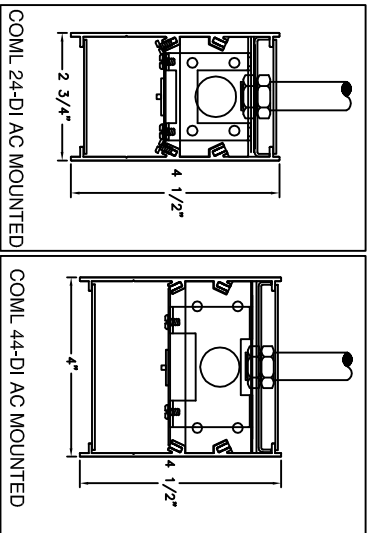
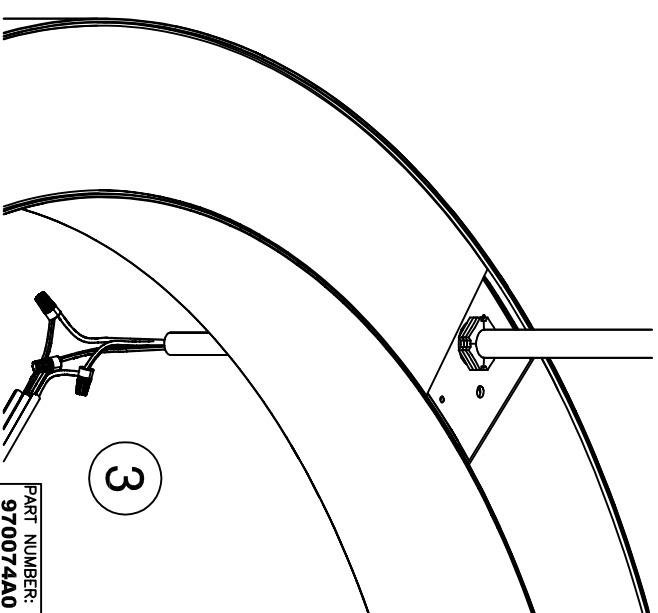


# COML-DI-STEM-INDIVIDUAL-INSTALLATION



<p>TO BE INSTALLED BY A QUALIFIED ELECTRICIAN IN ACCORDANCE TO LOCAL &amp; NATIONAL ELECTRIC CODES.</p>	<p>DO NOT CONNECT LED TRAY(S) WHEN UNDER LOAD.</p>	<p>FAILURE TO COMPLY TO INSTRUCTIONS &amp; FORMENTIONED WARNINGS COULD VOID PRODUCT WARRANTY</p>
<p>DO NOT CONSTRUCT ROW ON FLOOR &amp; LIFT TO CEILING.</p>	<p>DAY-O-LITE ASSUMES NO RESPONSIBILITIES FOR CLAIMS FOUNDED FROM IMPROPER INSTALLATION OR HANDLING.</p>	<p>CEILING TO BE PROPERLY REINFORCED TO SUPPORT WEIGHT OF THE FIXTURE.</p>

1. REMOVE TOP LENS, BOTTOM LENS AND LED TRAY.
2. HANG FIXTURE. INSTALL (3)STEMS IN MOUNTING LOCATIONS ACCORDING TO JOB DRAWINGS. LIFT FIXTURE INTO POSITION AND SECURE MOUNTING
3. FEED POWER FEED CORD THROUGH STEM HOLE IN FIXTURE. WIRE FIXTURE AS REQUIRED BY LOCAL ELECTRICAL CODES.
4. REINSTALL LED TRAYS AND LENSES AFTER ALL WIRING CONNECTIONS ARE MADE AND FIXTURES ARE HUNG, INSTALLATION IS COMPLETE



MUST BE INSTALLED BY A QUALIFIED ELECTRICIAN. DISCONNECT POWER DURING INSTALLATION/SERVICING. ROW CONFIGURATION IS JOB SPECIFIC. CONSULT SHOP DRAWINGS BEFORE CONSTRUCTING ROWS. STANDARD OPTIONS/SIZES SHOWN. OTHER OPTIONS AVAILABLE WITH SIMILAR INSTALLATION. BE SURE TO UNDERSTAND ALL PROCEDURES PRIOR TO INSTALLATION. IMPORTANT: THE NATIONAL ELECTRIC CODE REQUIRES THAT ANY FIXTURE IN EXCESS OF 50 POUNDS MUST BE INDEPENDENTLY SUPPORTED OF THE OUTLET BOX. DAY-O-LITE IS NOT RESPONSIBLE FOR INADEQUATE REINFORCEMENT OF STRUCTURAL SUPPORT SYSTEMS. DAY-O-LITE RESERVES THE RIGHT TO MAKE ANY MECHANICAL OR MATERIAL CHANGES TO THE FIXTURES WHICH DO NOT AFFECT THE APPEARANCE OR PERFORMANCE. THIS PRINT IS THE PROPERTY OF DAY-O-LITE AND THE INFORMATION IT CONTAINS MAY NOT BE USED WITHOUT WRITTEN CONSENT OF DAY-O-LITE.

MODEL NO.:  
COML 24/44-DI.

CONTRACT INFORMATION:  
126 Chestnut Street, Warwick, RI 02888  
Tel: (401) 467-8232 | Fax: (401) 941-2960  
E-mail: sales@dayolite.com  
WWW: <http://www.dayolite.com>

PAGE:  
SHEET 1 OF 1

PART NUMBER:  
970074A0  
ISSUED ON:  
2/21/2020

DAY-O-LITE  
Lighting Without Limits