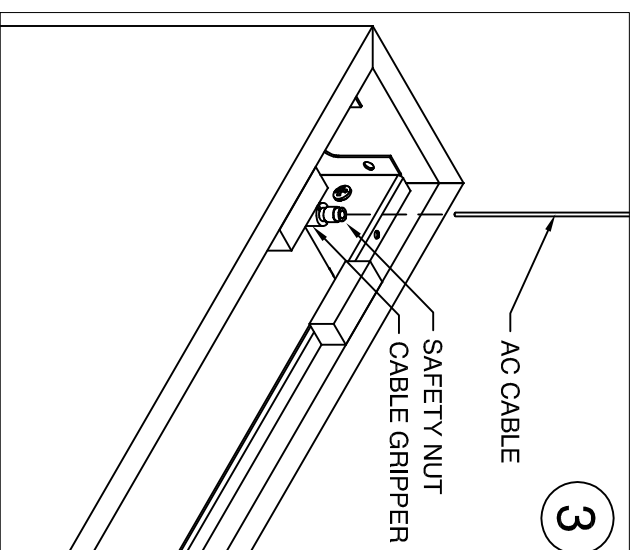
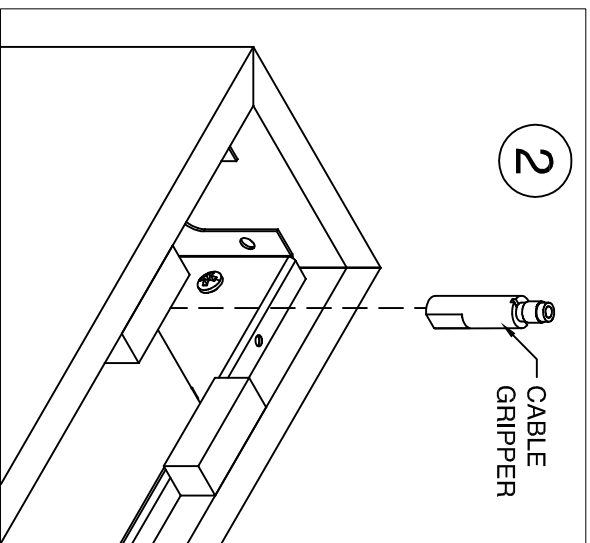
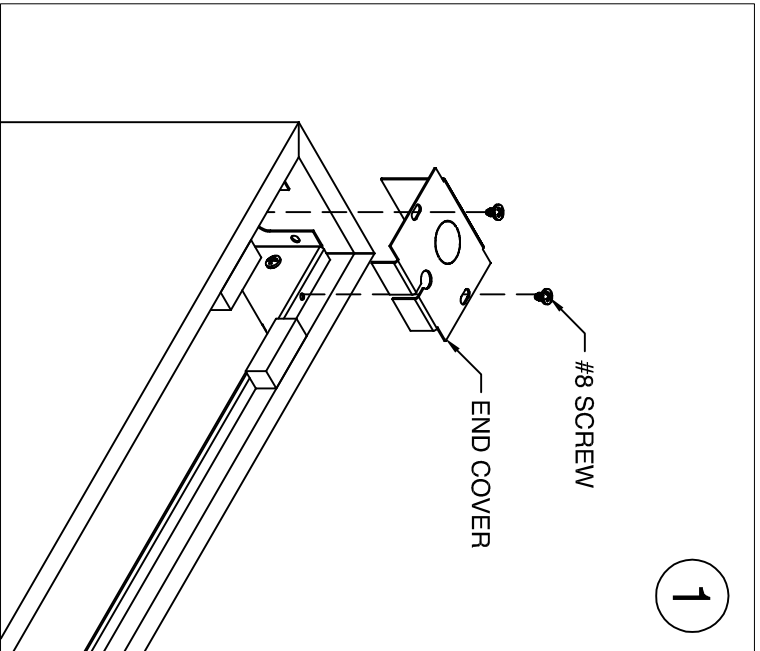


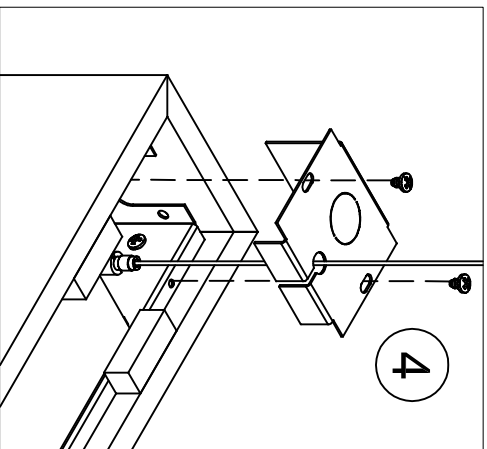
# TRIL-D/DI IND ACOUSTIC FIXTURE INSTALLATION



 CONSTRUCT FIXTURE ON FLOOR & LIFT TO CEILING.


 RISK OF ELECTRICAL SHOCK. DISCONNECT POWER BEFORE INSTALLATION OR SERVICING.

 TO BE INSTALLED BY A QUALIFIED ELECTRICIAN IN ACCORDANCE TO LOCAL & NATIONAL ELECTRIC CODES.



1. REMOVE END COVER BY REMOVING (2) #8 SCREWS AND LIFTING COVER OFF FIXTURE. REMOVE COVER FROM BOTH ENDS.
2. INSTALL CABLE GRIPPER ONTO EXPOSED 1/4-20 STUD AT EACH END OF FIXTURE
3. HANG FIXTURE
  - INSTALL A/C CABLE IN MOUNTING LOCATIONS ACCORDING TO INSTRUCTIONS SUPPLIED WITH MOUNTING KIT
  - LIFT FIXTURE INTO POSITION AND FEED A/C CABLE THROUGH CABLE GRIPPER.
  - LEVEL FIXTURE AND TIGHTEN SAFETY NUT AT TOP OF GRIPPER
4. REINSTALL COVER AT NON-FEED END OF FIXTURE

IMPORTANT: THE NATIONAL ELECTRIC CODE REQUIRES THAT ANY FIXTURE IN EXCESS OF 50 POUNDS MUST BE INDEPENDENTLY SUPPORTED OF THE OUTLET BOX. DAY-O-LITE IS NOT RESPONSIBLE FOR INADEQUATE REINFORCEMENT OF STRUCTURAL SUPPORT SYSTEMS. BE SURE TO UNDERSTAND ALL PROCEDURES PRIOR TO INSTALLATION. ROW CONFIGURATIONS ARE JOB SPECIFIC. CONSULT SHOP DRAWINGS BEFORE CONSTRUCTING ROWS. DAY-O-LITE RESERVES THE RIGHT TO MAKE ANY MECHANICAL OR MATERIAL CHANGES TO THE FIXTURES WHICH DO NOT AFFECT THE APPEARANCE OR PERFORMANCE. THIS PRINT IS THE PROPERTY OF DAY-O-LITE AND THE INFORMATION IT CONTAINS MAY NOT BE USED WITHOUT WRITTEN CONSENT OF DAY-O-LITE.

MODEL NO.: TRIL-XX-D/DI-ACT-....	PAGE: SHEET 1 OF 4	PART NUMBER: 970011A0
CONTACT INFORMATION: 128 Chestnut Street, Warwick, RI 02888 Tel. (401) 467-8232 / Fax. (401) 941-2960 E-mail: sales@dayville.com WWW: http://www.dayville.com		
 <b>DAY-O-LITE</b> Lighting Without Limits		

# TRIL-D/DI IND ACOUSTIC FIXTURE INSTALLATION



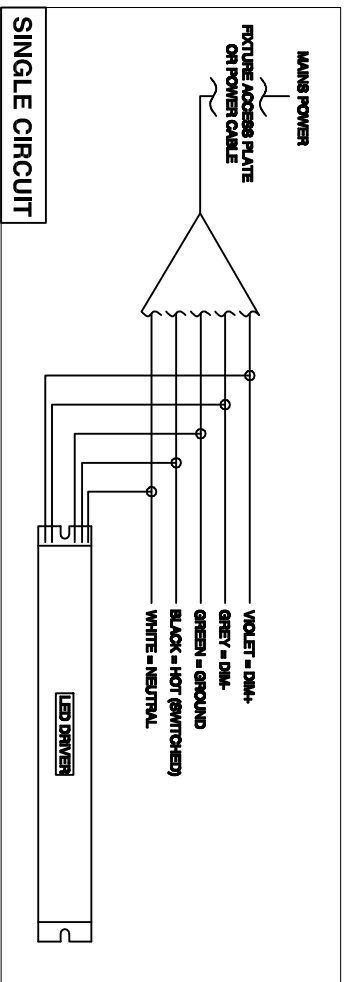
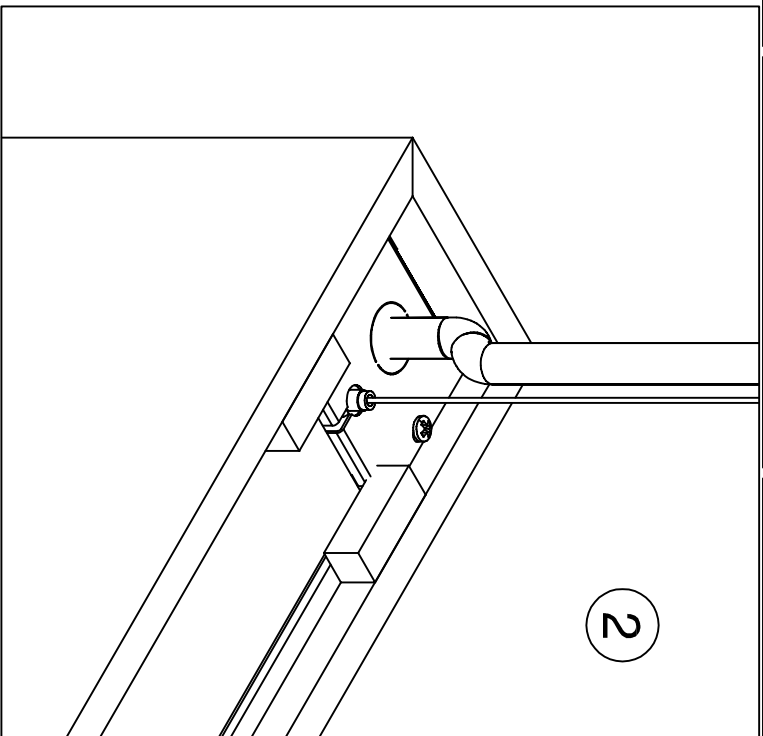
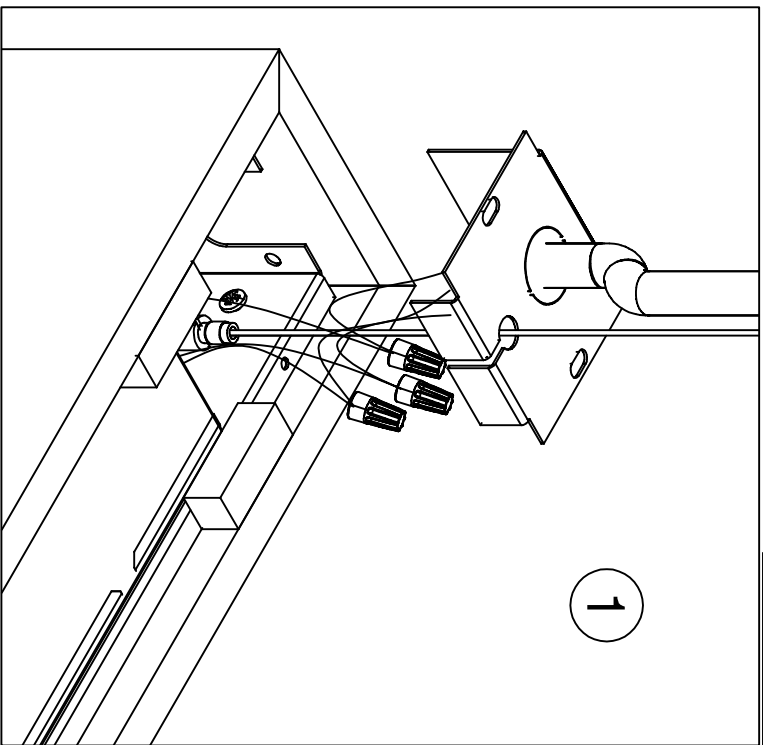
CONSTRUCT FIXTURE ON FLOOR & LIFT TO CEILING.



RISK OF ELECTRICAL SHOCK. DISCONNECT POWER BEFORE INSTALLATION OR SERVICING.



TO BE INSTALLED BY A QUALIFIED ELECTRICIAN IN ACCORDANCE TO LOCAL & NATIONAL ELECTRIC CODES.



1. INSTALL POWER FEED
  - FEED POWER FEED CORD THROUGH HOLE IN END COVER.
  - USE APPROPRIATE STRAIN RELIEF TO SECURE CORD IN FIXTURE AS REQUIRED BY LOCAL ELECTRICAL CODES (BY OTHERS).
  - CONNECT POWER FEED CONDUCTORS TO APPROPRIATE WIRES OF FIXTURE. REFER TO JOB DRAWINGS FOR WIRE FEED DESIGNATIONS.
  - STANDARD WIRING SHOWN BELOW---
2. REINSTALL END COVER.

IMPORTANT: THE NATIONAL ELECTRIC CODE REQUIRES THAT ANY FIXTURE IN EXCESS OF 50 POUNDS MUST BE INDEPENDENTLY SUPPORTED OF THE OUTLET BOX. DAY-O-LITE IS NOT RESPONSIBLE FOR INADEQUATE REINFORCEMENT OF STRUCTURAL SUPPORT SYSTEMS. BE SURE TO UNDERSTAND ALL PROCEDURES PRIOR TO INSTALLATION. ROW CONFIGURATIONS ARE JOB SPECIFIC. CONSULT SHOP DRAWINGS BEFORE CONSTRUCTING ROWS. DAY-O-LITE RESERVES THE RIGHT TO MAKE ANY MECHANICAL OR MATERIAL CHANGES TO THE FIXTURES WHICH DO NOT AFFECT THE APPEARANCE OR PERFORMANCE. THIS PRINT IS THE PROPERTY OF DAY-O-LITE AND THE INFORMATION IT CONTAINS MAY NOT BE USED WITHOUT WRITTEN CONSENT OF DAY-O-LITE.

MODEL NO.:  
TRIL-XX-D/DI-ACT----

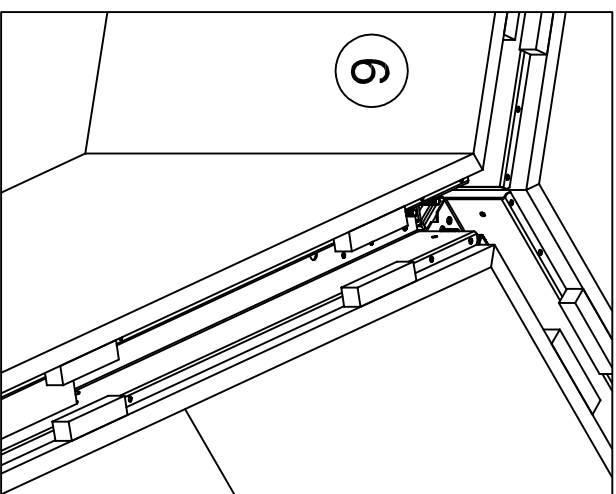
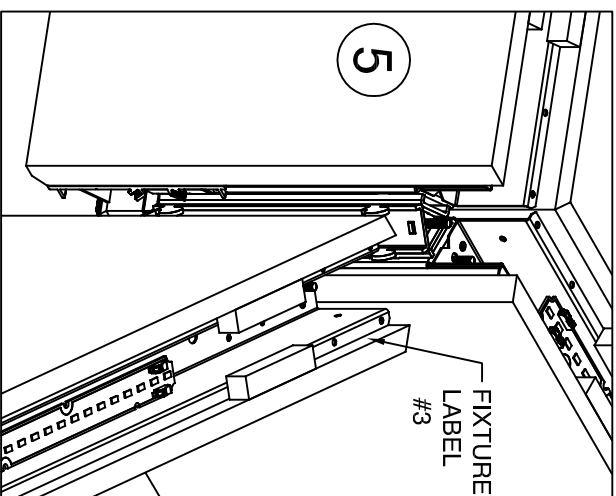
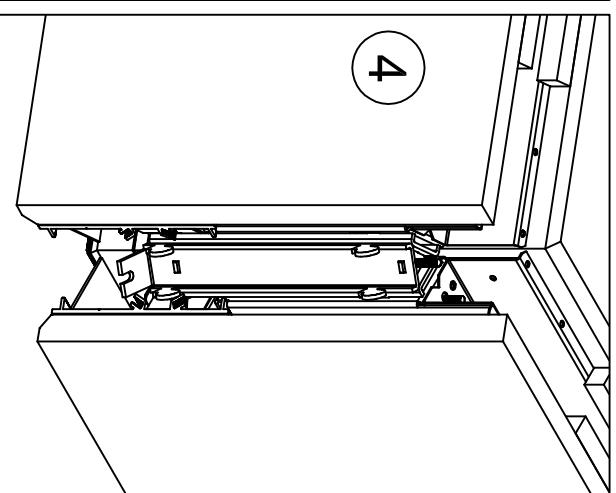
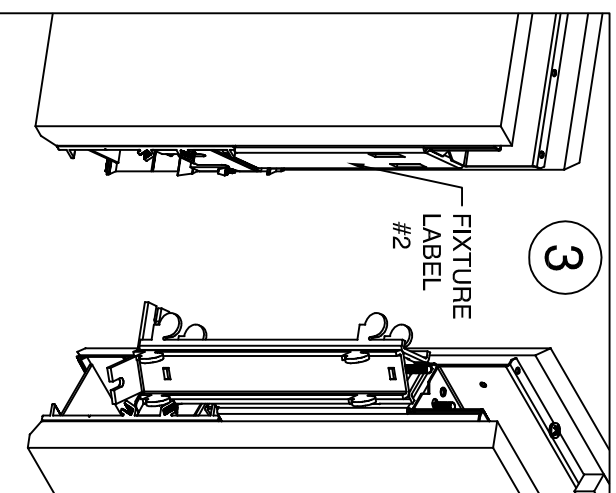
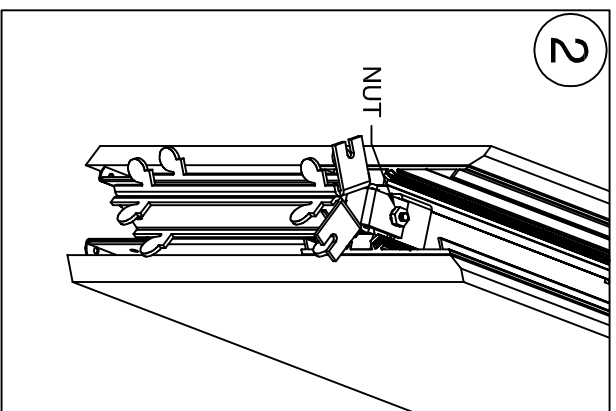
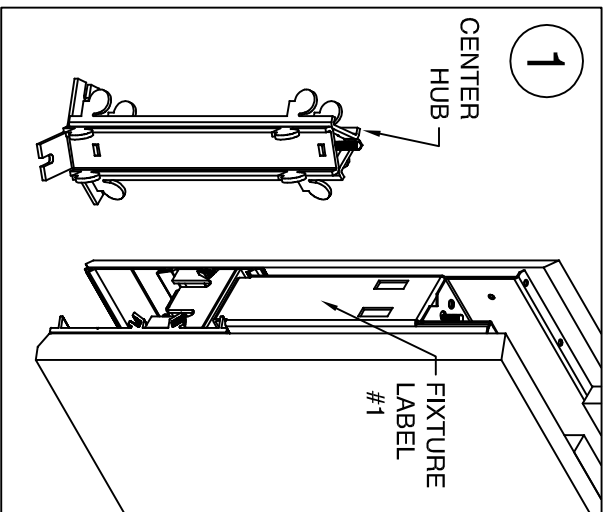
CONTACT INFORMATION:  
126 Chestnut Street, Warwick, RI 02888  
Tel. (401) 467-8232 | Fax. (401) 941-2960  
E-mail: sales@dayville.com  
WWW: <http://www.dayville.com>

PAGE:  
SHEET 2 OF 4

**DAY-O-LITE**  
Lighting Without Limits

PART NUMBER:  
**970011A0**

ISSUED ON:  
10/1/2019



## TRIL14/24/44 6' AND 8' DIAMETERS ONLY

1. REMOVE LENSES AND LED TRAYS FROM FIXTURE
2. INSTALL CENTER HUB ONTO FIRST FIXTURE (LABELED #1)  
TEMPORARILY SECURE WITH NUT
- 3 & 4. ROTATE FIXTURE SO HUB IS FACING AS SHOWN  
INSTALL SECOND FIXTURE (LABELED #2),
- 5 & 6. INSTALL 3RD FIXTURE ON HUB (LABELED #3)

**IMPORTANT:** THE NATIONAL ELECTRIC CODE REQUIRES THAT ANY FIXTURE IN EXCESS OF 50 POUNDS MUST BE INDEPENDENTLY SUPPORTED OF THE OUTLET BOX. DAY-O-LITE IS NOT RESPONSIBLE FOR INADEQUATE REINFORCEMENT OF STRUCTURAL SUPPORT SYSTEMS. BE SURE TO UNDERSTAND ALL PROCEDURES PRIOR TO INSTALLATION. ROW CONFIGURATIONS ARE JOB SPECIFIC. CONSULT SHOP DRAWINGS BEFORE CONSTRUCTING ROWS. DAY-O-LITE RESERVES THE RIGHT TO MAKE ANY MECHANICAL OR MATERIAL CHANGES TO THE FIXTURES WHICH DO NOT AFFECT THE APPEARANCE OR PERFORMANCE. THIS PRINT IS THE PROPERTY OF DAY-O-LITE AND THE INFORMATION IT CONTAINS MAY NOT BE USED WITHOUT WRITTEN CONSENT OF DAY-O-LITE.

MODEL NO.:

TRIL-XX-D/DI-ACT-...

PAGE:

SHEET 2 OF 4

PART NUMBER:

970011A0

ISSUED ON:

10/1/2019

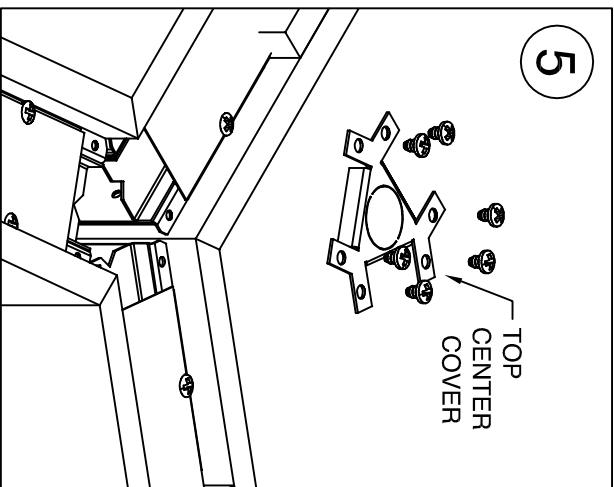
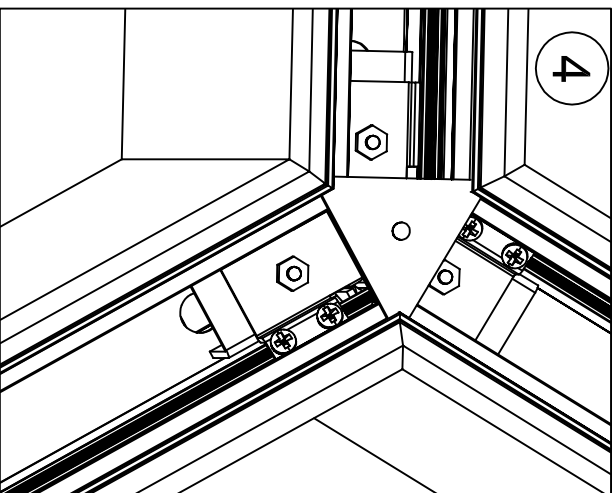
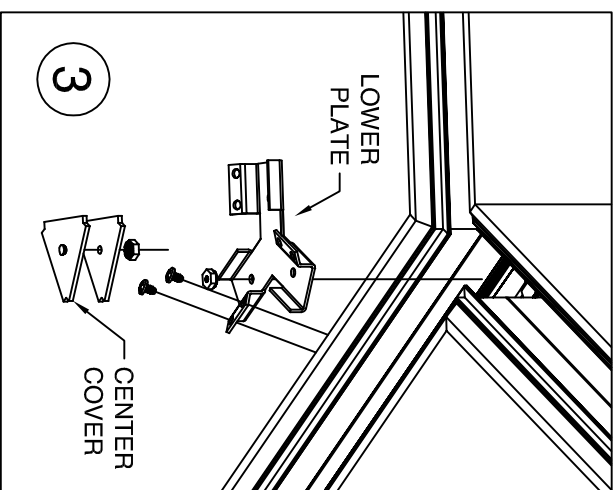
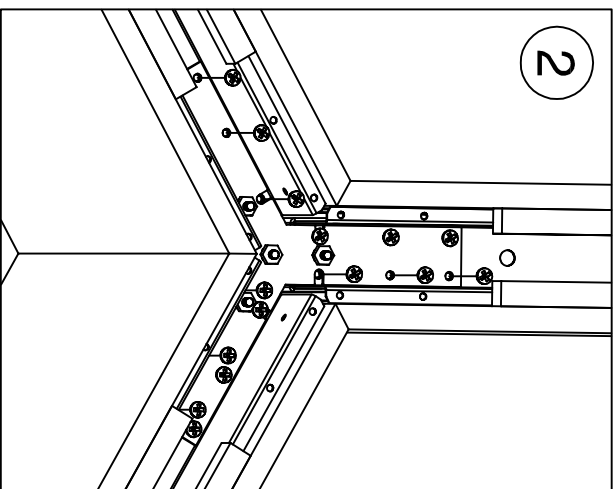
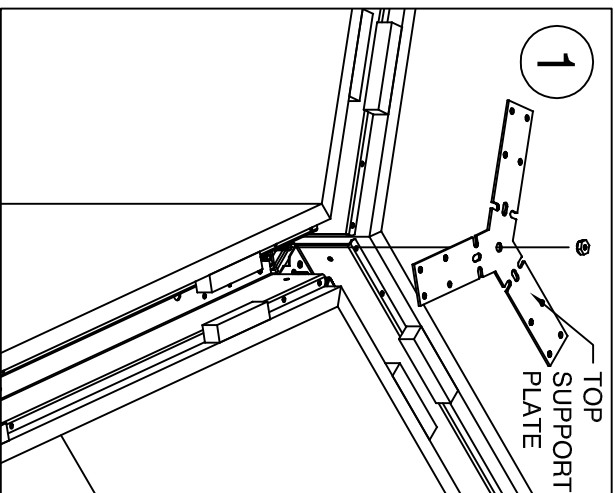
CONTRACT INFORMATION:

126 Chestnut Street, Warwick, RI 02888  
Tel. (401) 467-8232 | Fax. (401) 941-2960  
E-mail: sales@dayo-lite.com  
WWW: http://www.dayo-lite.com



Lighting Without Limits

# TRIL-D/DI IND ACOUSTIC FIXTURE INSTALLATION



1. INSTALL TOP SUPPORT PLATE
2. FASTEN ALL HARDWARE SECURELY
3. ROTATE ENTIRE FIXTURE UPSIDE DOWN
4. INSTALL LOWER BRACKET AND HARDWARE  
INSTALL CENTER PLATE.
5. INSTALL TOP CENTER COVER
6. REINSTALL ALL TRAYS AND LENSES

**TRIL 14/24/44 6' AND 8' DIAMETERS ONLY**

**IMPORTANT:** THE NATIONAL ELECTRIC CODE REQUIRES THAT ANY FIXTURE IN EXCESS OF 50 POUNDS MUST BE INDEPENDENTLY SUPPORTED OF THE OUTLET BOX. DAY-O-LITE IS NOT RESPONSIBLE FOR INADEQUATE REINFORCEMENT OF STRUCTURAL SUPPORT SYSTEMS. BE SURE TO UNDERSTAND ALL PROCEDURES PRIOR TO INSTALLATION. ROW CONFIGURATIONS ARE JOB SPECIFIC. CONSULT SHOP DRAWINGS BEFORE CONSTRUCTING ROWS. DAY-O-LITE RESERVES THE RIGHT TO MAKE ANY MECHANICAL OR MATERIAL CHANGES TO THE FIXTURES WHICH DO NOT AFFECT THE APPEARANCE OR PERFORMANCE. THIS PRINT IS THE PROPERTY OF DAY-O-LITE AND THE INFORMATION IT CONTAINS MAY NOT BE USED WITHOUT WRITTEN CONSENT OF DAY-O-LITE.

MODEL NO.:

TRIL-XX-D/DI-ACT-....

PAGE:

SHEET 2 OF 4

ISSUED ON:

970011A0

CONTRACT INFORMATION:

126 Chestnut Street, Warwick, RI 02888  
Tel. (401) 467-8232 | Fax. (401) 941-2960  
E-mail: sales@dayville.com  
WWW: http://www.dayville.com

 **DAY-O-LITE**  
Lighting Without Limits