

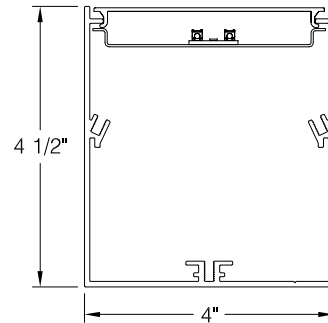
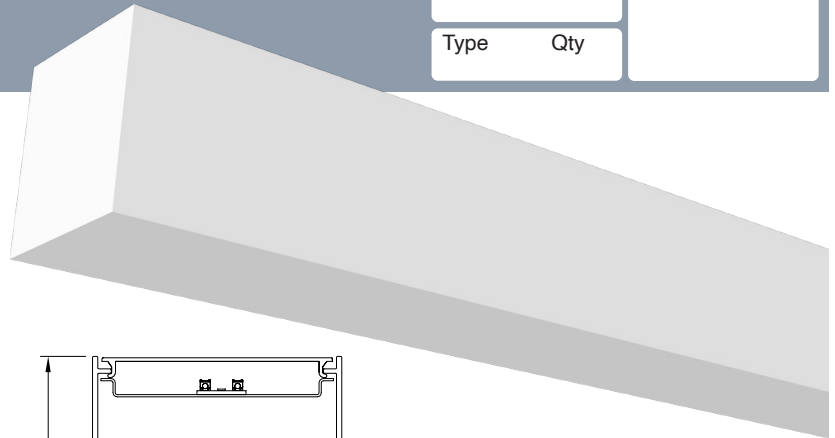


Profile Series | PRFL-44-I

Date		Notes
Project		
Type	Qty	

Features

- Extruded aluminum housing w/flat or round end caps.
- LED optimized optics for smooth, efficient illumination.
- Individual fixtures, continuous rows or custom patterns.
- Programmable driver for custom lumen packages.
- 0-10V dimming to 1% standard. Dim-to-off available.
- DMX, Lutron and DALI protocols also available.
- Sensor Ready for wireless Smart Lighting Solutions.
- 80/90CRI, Tunable White, RGBW & RGBWW.
- Bios SkyBlue™ circadian solutions available.
- DLC** V5.1 Standard Listed up to 154 LPW.
- Declare** Red List Approved.



w/Clear Acrylic
Dust Cover

Ordering Guide

Declare. BAA



MODEL	OPTICS	CCT	LUMENS ⁵	LENGTH	MOUNTING ⁷	FINISH	OPTIONS
PRFL-44-I							
Profile 44 Indirect	<p>STANDARD CA = Clear Acrylic (dust covers)</p> <p>OPTIONAL SI = Satin Ice Acrylic (lay-on)</p> <p>FL = Flush Opal Acrylic (snap-on)</p> <p>AS = Asymmetric</p> <p>CM = Collimating</p> <p>BW = Bat Wing</p>	<p>STATIC WHITE¹ 27 = 2700K 30 = 3000K 35 = 3500K 40 = 4000K 50 = 5000K</p> <p>BIOS SkyBlue² Spectrally optimized circadian solutions.</p> <p>TUNABLE WHITE³ (2700K-6500K) 2DIM10 = for 0-10V 2DMX = for DMX 2ESN = for Philips 2CAS = for Casambi</p> <p>DIM-TO-WARM³ (2700K-6500K) DTW = Dim-to-Warm</p> <p>RGBW RGB = RGB RGBW = RGBW⁴ RGBWW = RGBWW (2700K-6500K)</p>	<p>STANDARD LO = 665/ft (5W/ft, 148LPW) SO = 885/ft (6W/ft, 148LPW) HO = 1006/ft (8W/ft, 148LPW)</p> <p>CUSTOM LUMENS For custom lumens please specify < HO.</p> <p>DLC LUMENS⁶ @3500K S3D = 860/ft (6W/ft, 150LPW) @4000K S4D = 885/ft (6W, 154LPW)</p>	<p>2 = 2 ft 3 = 3 ft 4 = 4 ft 5 = 5 ft 6 = 6 ft 7 = 7 ft 8 = 8 ft</p> <p>For other enter row length (e.g. 48 = 48 ft)</p>	<p>AC = Aircraft Cable PD = Pendant Stem</p>	<p>W = White CC = Custom Color AMW = Anti-Microbial White</p>	<p>DIMMING DRIVERS DIM10 = 0-10V (1%) - Standard DTO = 0-10V (Dim-to-Off) DIMST = 0-10V Step Dimming 347 = 0-10V (347V) DIMSR = DALI Sensor Ready (5.0%) DALI = DALI (5.0%) DMX = DMX</p> <p>LUTRON™ DIMMING DRIVERS LDE1 = Hi-Lume™ 1% EcoSystem LD2 = Digital 1% (DALI-2) L3DA3W = Hi-Lume™ 1% 3-Wire</p> <p>SENSORS & CONTROLS⁸ ESN = EasySense Sensor AWNS = Lutron Athena Sensor AWNRR = Lutron Athena Node CAS = Casambi Wireless Control (More options page 7)</p> <p>EMERGENCY⁹ EMC = Emergency Circuit GTD = Generator Transfer Device EPC4 = 4W Emergency Battery Pack EPC6 = 6.5W Emergency Battery Pack EPC10 = 10W Emergency Battery Pack EPC12 = 12W Emergency Battery Pack</p> <p>WIRING & OTHER FWH = Flexible Wiring Harness DWH¹⁰ = DMX Wiring Harness</p>

¹CCT @ 80+CRI, 3SDCM. For 90CRI add prefix "9"; ex: 935 = 3500K, 90CRI.

²BIOS SkyBlue Biological Static & Dynamic circadian lighting page 3.

³Tunable White, Dim-to-Warm and RGBW ordering codes page 2.

⁴Add white CCT to RGBW; ex: RGB35 = RGB w/3500K white.

⁵Lumens at 80CRI, 3500K, CA lens. Photometry page 5.

⁶DLC options are limited to CA optics, static white 35/40K CCT @ 80CRI, SO lumens, all mounting, all finishes, and all options excluding DIMST.

⁷See page 6 for mounting option details.

⁸Sensors and control options to be commissioned wirelessly in the field using applicable Smart Phone apps by qualified personnel; page 6.

⁹EPC6 is standard unless otherwise specified. EPC not for DMX drivers.

¹⁰DMX driver leads and through wiring with RJ-45 connectors.

TUNABLE WHITE - Fixture Level Control



Tunable White available in a range of 2700K-6500K CCT @ 80+CRI and 3SDCM color accuracy. Control via two 0-10V dimmers (one CCT, one intensity) controllers. Consult factory for 90CRI, electrical specifications and other details for each option below.

Applications:

- Spaces occupied overnight (~ 7pm to 7am)
- 24-hour spaces
- Shiftwork & Hospitals
- Senior Living, Alzheimer's Dementia & Assisted Living
- Higher Education, including student and staff
- Workplaces, including areas occupied after 7pm

Ordering Codes:

- 2DIM10** = 0-10V
- 2DMX** = DMX
- 2CAS** = Casambi Wireless
- 2ESN** = Philips EasySense Wireless
(Occupancy/Daylight Harvesting and Tunable White)

DIM-to-WARM - Fixture Level Control



Dim-to-Warm mimics incandescent dimming by warming the CCT from 6500K to 2700K as light levels are dimmed. Simply lower the intensity and CCT changes from high to low. Compatible with most 0-10V dimmers (by others). Ideal for hospitality, restaurants and living facilities.

Applications:

- Hospitality
- Entertainment
- Living Facilities

Ordering Code:

- DTW** = Dim-to-Warm

RGBW & RGBWW¹ - Fixture Level Control



Available in diameters of 5' and above only.

For color effects with LO/SO/HO white CCT's for **general illumination** in a host of applications. All options require DMX control (by others). 80CRI w/3SDCM color accuracy is standard. May not be compatible with all diameters of COML-24. Consult factory for details when ordering.

Applications:

- Entertainment Spaces
- Hospitality & Banquet
- Theatre & Stage
- Seasonal Applications
- Branding
- Wayfinding

Ordering Codes:

- RGB** = RGB only
- RGB27** = RGB w/2700K
- RGB30** = RGB w/3000K
- RGB35** = RGB W/3500K
- RGB40** = RGB w/4000K
- RGB50** = RGB w/5000K
- RGBWW** = RGB w/2700K-6500K

¹RGBW and RGBWW options must be addressed and commissioned by knowledgeable controls/DMX professionals.

DWH fixture integral DMX wiring harnesses available. Consult factory for details.

BIOS SkyBlue

BIOS SkyBlue biological technology brings the benefits of blue skies inside. BIOS SkyBlue is the only spectrally optimized circadian solution to pinpoint the region that drives wellness benefits including: increased alertness, enhanced productivity, better mood, and better sleep. More information may be found at www.bioslighting.com or by contacting Day-O-Lite directly.

BIOS Biological Static - Daytime Solution

BIOS Biological Static solutions are designed for daytime applications. BIOS Static Biological LED features key BIOS SkyBlue™ (490nm) for maximum daytime circadian impact. BIOS Static Biological LED Light Engines are available in 3000K, 3500K, and 4000K. Lighting controls are easy; simply switch the lights on/off or the lights can be dimmed using a single-channel constant current (CC) LED driver with any standard dimming interface.

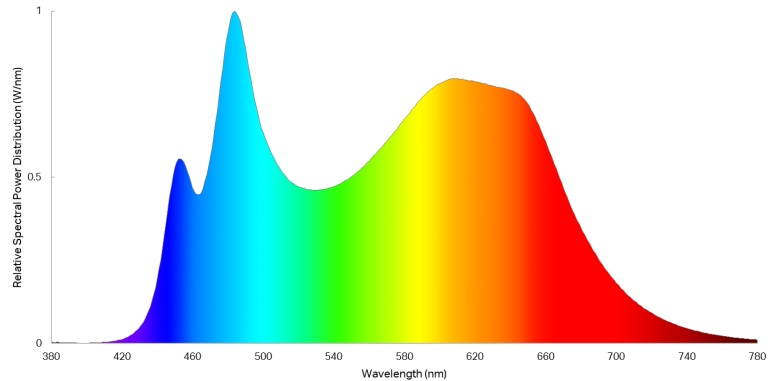
Applications:

- Spaces occupied during the daytime ~7am – 7pm
- K-12 Schools / Higher Education
- Offices
- Daytime Adult Care Facilities
- Medical Offices

BIOS Biological Static
Ordering Codes:

- B30** = 3000K
- B35** = 3500K
- B40** = 4000K

BIOS Biological Static 3500K



BIOS Biological Dynamic - Day & Night Solution A

BIOS Biological Dynamic solutions are designed to transition from daytime to evening in a dim-to-warm protocol. The daytime CCT includes full BIOS SkyBlue™ (490nm) for maximum daytime circadian impact, while the evening spectrum removes BIOS SkyBlue™ altogether, providing a minimal circadian stimulus after hours. Available in 3000K-2700K, 3500K-3000K and 4000K-3500K. Simply dim the lights in the evening to remove the daytime SkyBlue wavelengths (490nm) and convert your lights from day mode to night mode via a single controller (0-10V, ELV, DMX, Wireless).

BIOS Biological Tunable White - Day & Night Solution B

BIOS Biological Tunable solutions are designed to transition from daytime to evening in a dim-to-warm protocol. The daytime CCT includes full BIOS SkyBlue™ (490nm) for maximum daytime circadian impact, while the evening spectrum removes BIOS SkyBlue™ altogether, providing a minimal circadian stimulus after hours. Available in 3000K-2700K, 3500K-3000K and 4000K-3500K. Simply dim the lights in the evening to remove the daytime SkyBlue wavelengths (490nm) and convert your lights from day mode to night mode via a single controller (0-10V, ELV, DMX, Wireless).

BIOS Biological Tunable is also compatible with two-channel color tuning systems. Simply dim the lights in the evening to convert your lights from day mode to night mode via a multi-channel controller (0-10V, ELV, DMX, Wireless). 3000K, 3500K and 4000K CCTs all dim to 2700K.

Applications:

- Spaces occupied overnight (~ 7pm to 7am)
- 24-hour spaces
- Shiftwork & Hospitals
- Senior Living, Alzheimer's Dementia & Assisted Living
- Higher Education, including student and staff
- Workplace, including areas occupied after 7pm

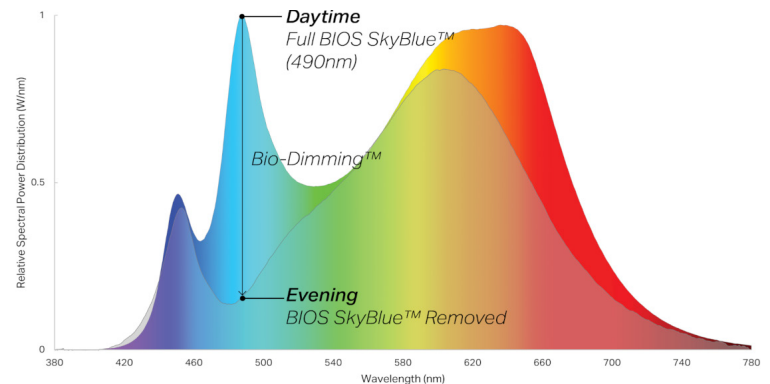
BIOS Biological
Dynamic White
Ordering Codes:

- B30D** = 3000K-2700K
- B35D** = 3500K-3000K
- B40D** = 4000K-3500K

BIOS Biological
Tunable White
Ordering Codes:

- B30T** = 3000K-2700K
- B35T** = 3500K-2700K
- B40T** = 4000K-2700K

BIOS Biological Dynamic 3500K

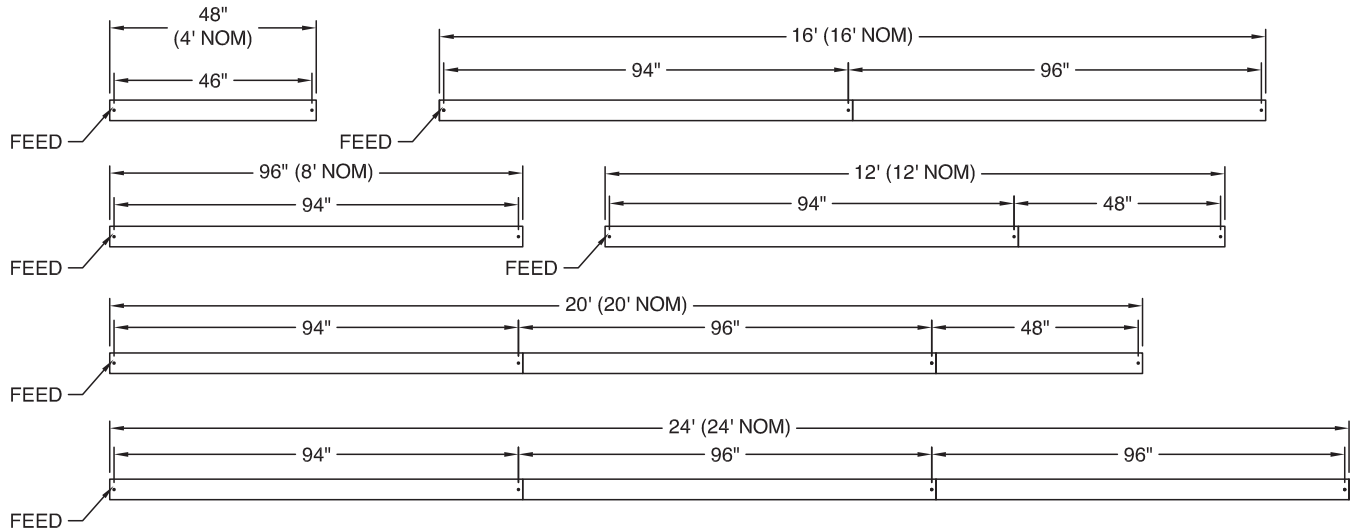


Individual Fixtures & Continuous Rows

NOMINAL LENGTH	ACTUAL LENGTH	SUSP. 1 O.C.	SUSP. 2 O.C.	SUSP. 3 O.C.
4'	4'	46"		
8'	8'	94"	48"	
12'	12'	94"	96"	
16'	16'	94"	96"	48"
20'	20'	94"	96"	48"
24'	24'	94"	96"	96"

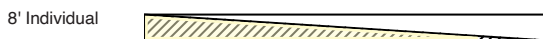
Individual fixtures and rows are continuously illuminated and joined with included aligner brackets and hardware. Power feed locations and mounting locations are shown below.

Continuous rows longer than 8' and patterns, including EPC/EMC and sensor locations must be approved prior to manufacturing.

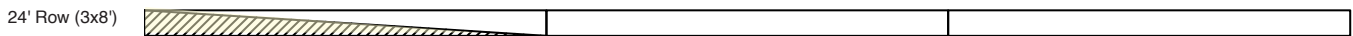


Emergency & Sensor Locations

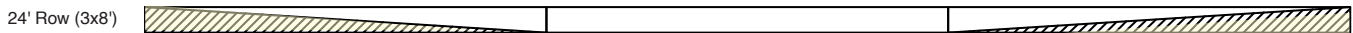
EPC will control entire length of individual fixtures. Individual fixtures of differing lengths will deliver the same lumens under EPC power (a 4' fixture will deliver the same total lumens over half the length of an 8' fixture). EMC controlled individual fixtures will deliver lumens per foot as originally specified, unless dimmed at time of power loss. Consult factory for EMC dimming override device.



For individual fixtures to 8' **EPC/EMC** will power entire fixture.



For continuous rows longer than 8' one **EPC/EMC** will be located in the feed section (end-left) of the row.



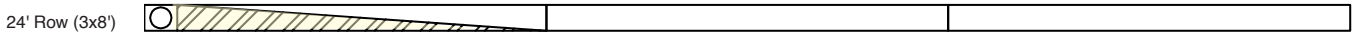
If two **EPC/EMC's** are required their locations will be in the feed section (end-left) and last section (end-right).



Custom placement of one or more **EPC/EMC's** must be clearly identified during ordering.

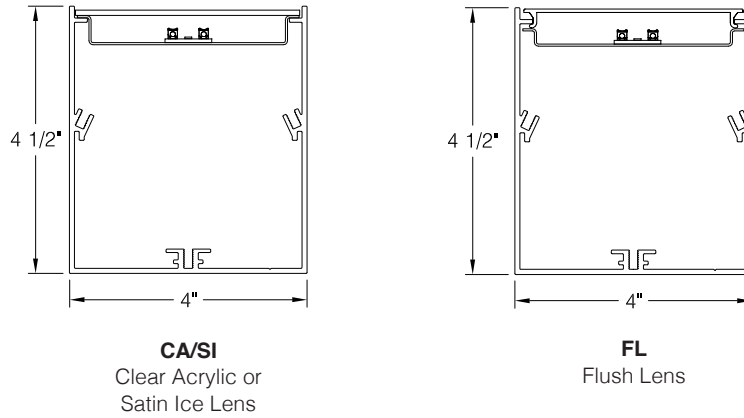


SENSORS for individual fixtures will control entire length of fixture and will be located on feed end of fixture.



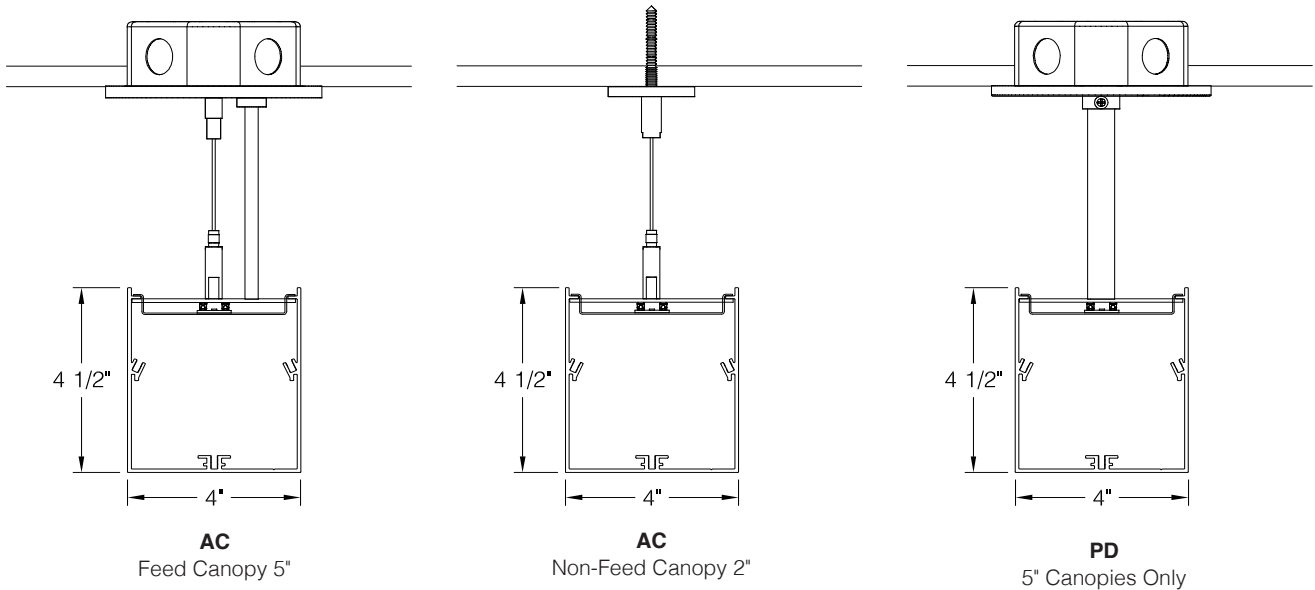
SENSORS for rows will control the feed section (end-left) of the row. Sensors can control more than an 8' section within a row. Consult factory for sensor/section options, or for multiple sensors in a continuous row.

Optics



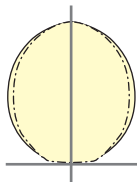
Mounting

Standard suspension options include adjustable self-locking aircraft cables (AC) and rigid pendant stems (PD). AC assembly is 48" x 1/16" with a 5" feed canopy and 2" suspension canopies. 60" 18 gauge power and 22 gauge dimming control SJT feed. PD assemblies are 5/8" dia. (or 3/8" IP) hollow stem for power feed (by others); 24" is standard. Consult factory for longer suspension lengths and other mounting options.



AC-PF = Replacement Power Feed w/cable Kit w/5" canopy.
AC-NF = Replacement Non/Feed Kit w/2" canopy.
 Consult factory for lengths and either 5 or 6 wire power feeds.

Photometry



RFL-44-I-CA-35-**LO**-4
Clear Acrylic (CA)

3500K CCT
WATTS: 18
LUMENS: 2655
LPW: 148

PRFL-44-I-CA-35-**SO**-4
Clear Acrylic (CA)

3500K CCT
WATTS: 24
LUMENS: 3540
LPW: 148

PRFL-44-I-FL-35-**HO**-4
Clear Acrylic (CA)

3500K CCT
WATTS: 30
LUMENS: 4425
LPW: 148

PRFL-44-I-CA-35-**S3D**-4
DLC V5.1 Standard

3500K CCT
WATTS: 23
LUMENS: 3440
LPW: 150

RFL-44-I-CA-40-**S4D**-4
DLC V5.1 Standard

4000K CCT
WATTS: 23
LUMENS: 3540
LPW: 154

3500K @ 80CRI, **CA** lens.

Use the following multipliers for other CCTs: 2700K x 0.96, 3000K x 0.98, 4000K x 1.02, 5000K x 1.03. IES files @ www.dayolite.com

Smart Lighting Solutions¹ offer energy savings & building code compliance to meet today's energy saving requirements; solutions that combine sensors and controls with features including occupancy sensing, daylight harvesting, reporting, tunable white, temperature sensing and integration with a wide variety of room/building control systems (by others).

The following offerings are for fixture-integral sensors and controls. Day-O-Lite luminaires are also compatible with many remote sensor/control systems not shown here. Each manufacturer offers multiple options; not all catalogued below. Consult factory when ordering.

SMART SOLUTIONS ¹	ORDER CODES	MFG.	IMAGE ³	SENSING TYPE	DRIVER TYPE	SMART PHONE APP ⁴	FUNCTION	TUNABLE WHITE & RGBW
	AVP AVM	Avi-on		PIR/PCell Microwave	0-10V	Avi-on Mobile	Occupancy Occupancy Daylight	No
	BNV BND	BubblyNet		PIR & Photocell	0-10V DALI	BubblyNet	Occupancy Daylight	No
	CAS	Casambi		NA	0-10V DALI DMX	Casambi Pro	Wireless Control Only	Tunable RGBW
	ENC	Legrand Encelium		PIR & Photocell	0-10V DALI	Encelium Edge	Occupancy Daylight	Tunable White
	ENL	Enlighted		PIR & Photocell	0-10V	DLM Config	Occupancy Daylight Temp F/C	Tunable White
	LEG	Legrand Wattstopper		PIR/PCell Microwave	0-10V	DLM Config	Occupancy Occupancy Daylight	No
	ANS	Lutron Athena		PIR & Photocell	0-10V DALI-2	Athena App	Occupancy Daylight	Tunable White
	NLT	Acuity nLiGHT		PIR & Photocell	0-10V & LEDcode	nConfig	Occupancy Daylight	No
	NXC	Current NX		PIR & Photocell	0-10V	NX Connect	Occupancy Daylight	Tunable White
	ESN	Philips EasySense		PIR & Photocell	Signify Sensor Ready	Master Connect	Occupancy Daylight	Tunable White
	WVL	Cooper WaveLinX		PIR & Photocell	0-10V	WaveLinX Lite & Pro	Occupancy Daylight	No

¹Not all options above available in all markets. Design and specifications subject to change. Images may not be representative of actual component. Wireless control devices require compatible wireless switches (by others) for manual control. All options are to be commissioned on site by qualified Individuals using smart phone apps.

Specifications

CONSTRUCTION: Extruded aluminum housing. 20 gauge cold rolled steel internal components.

REFLECTOR: Highly reflective baked white enamel with pre-finished reflective LED tray.

OPTICS: Standard lensing is flush acrylic (FL), with clear acrylic (CA) dust covers. Options include 1' acrylic, drop lens (DL), batwing (BW), asymmetrical (AS) and collimating (CM) lensing.

LED: Static white LED modules in 30/35/40 & 50K CCT, 80/90CRI. Lumen maintenance minimum L_{70} = 50,000 hours. 3 SDCM color consistency. BIOS SkyBlue, RGB, RGBW, RGBWW, Tunable White and Dim-to-Warm options available; field replaceable.

DRIVER: Standard driver is Class 2 AOC 0-10V to 1%, Dim-to-Off available. 120/277V input, PF > 90%, THD < 20 @ 120V. DMX, DALI & Lutron protocols available. All drivers prewired for connection to control system (by others); field replaceable.

MOUNTING: Standard options include adjustable self-locking aircraft cables (AC), and rigid pendant stems (PD). AC assembly is 48" x 1/16" with a 5" feed canopy and 2" suspension canopies. 18 gauge power and 22 gauge dimming control SJT feed. May also be surface ceiling mounted.

FINISH: Housing and components finished in baked white enamel. Canopies and pendant stems are white enamel unless otherwise specified. 5" Feed canopy w/2" Suspension canopies.

CERTIFICATION: cETLus listed conforming to UL STD. 1598 and certified to CSA STD C22.2 NO. 250.0. Suitable for dry & damp locations. Union Made in the United States of America. I.B.E.W. RoHS and BAA compliant. DLC V5.1 Standard Listed. Declare Red List Approved.

LEGAL: Day-O-Lite, a division of SCW Corporation. All rights reserved. The Day-O-Lite logo is a registered trademark of SCW Corporation. Day-O-Lite reserves the right to change specifications without notice for product improvement.

WEIGHT: 11 lbs. @ 4', 22 lbs. 8'.