

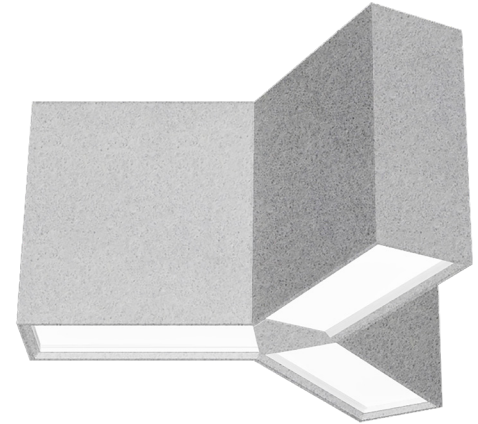


# Trilogy Series | TRIL-44-D Acoustic

Date		Notes
Project		
Type	Qty	



20 unique colors to choose from. See page 2 to specify.



12" Panel Shown  
Cross Sections  
on page 2.

## Features

- Combines noise control and illumination in a simple lighting and acoustic solution.
- Boosts human performance by reducing distracting noise levels and reverberations.
- Promotes an inviting space for personal wellbeing, focus and concentration.
- Improves privacy during sensitive communication by reducing echoes and reflected sound.
- Creates a decorative floating ceiling in otherwise open-ceiling interior applications.

## Ordering Guide

MODEL	OPTICS	CCT	LUMENS <sup>2</sup>	SIZE <sup>3</sup>	MOUNTING <sup>3</sup>	FINISH	OPTIONS <sup>4</sup>
<b>TRIL-44-D</b>	<b>SI</b>						
TRIL-44-D Direct Acoustic	FL = Flush Opal Acrylic (snap-in) DL = Drop Opal Acrylic (snap-in) SI = Satin Ice Acrylic (lay-in)	27 = 2700K 80CRI 30 = 3000K 80CRI 35 = 3500K 80CRI 40 = 4000K 80CRI 50 = 5000K 80CRI  90 CRI add *9" Ex: 940 = 4000K @ 90 CRI	<b>2' LUMENS</b> LO = 1512 (16W, 95LPW) SO = 2035 (21W, 95LPW) HO = 2426 (26W, 93LPW)  <b>4' LUMENS</b> LO = 3274 (32W, 103LPW) SO = 4358 (42W, 103LPW) HO = 5420 (53W, 102LPW)  <b>6' LUMENS</b> LO = 4955 (47W, 105LPW) SO = 6625 (63W, 105LPW) HO = 8130 (79W, 102LPW)	2 = 2' Dia. 4 = 4' Dia. 6 = 6' Dia. See size detail page 4.	AC = Aircraft Cable (3)  ACM = Aircraft Mono-Point (3-into-1)	<b>FIXTURE HOUSING</b> W = White  <b>ACOUSTIC SOLUTIONS</b> See page 2 for Acoustic color options, ordering codes and technical information.	<b>ACOUSTIC OPTIONS</b> See page 2 for acoustic options ordering codes and information.  <b>DIMMING DRIVERS</b> DIM10 = 0-10V (1.0%) - Standard DIMSR = 0-10V (5.0%) Sensor Ready DIMST = Step Dimming (40%/100%) DALI = DALI (5.0%)  <b>LUTRON™ DIMMING DRIVERS</b> LDE1 = Hi-Lume™ 1% EcoSystem™ LDE5 = 5-Series 5% EcoSystem™ L3DA3W = Hi-Lume™ 1% 3-Wire LTEA2W = Hi-Lume 1% 2-Wire 120V  <b>SENSORS &amp; CONTROLS</b> ESN = Philips™ EasySense DAY = Daylight Harvesting OCC = Occupancy Sensor CAS = Casambi Bluetooth control VDO = Vive Sensor by Lutron  <b>EMERGENCY</b> EMC = Emergency Circuit GTD = Generator Transfer Device EPC4 = 4W Emergency Battery Pack EPC7 = 7W Emergency Battery Pack EPC10 = 10W Emergency Battery Pack EPC12 = 12W Emergency Battery Pack

<sup>1</sup>Tunable white, tunable color options detailed on page 4.

<sup>2</sup>Delivered Lumens are Standard Output (SO) and Low Output (LO) at 80+CRI 4000K CCT. Use the following multiplier to estimate delivered lumens at other CCTs: 2700K = 0.94, 3000K = 0.96, 3500K = 0.98, 5000K = 1.02. All values nominal. See page 2 for photometrics.

<sup>3</sup>See page 4 for actual fixture dimensions and suspension locations.



Day-O-Lite's acoustic options integrate energy efficient architectural lighting with advanced sound absorbing technology in a sustainable, eco-friendly solution. Functional, attractive and easy to install, Day-O-Lite's acoustic solutions are ideal for use in educational, office, commercial, theatre and lobby applications.



**HOW TO SPECIFY**

- 1) Select color code from color swatches above.
- 2) Select height of acoustic panel - 8", 12" or 16".
- 3) Combine color and height to make complete code. Example: SK-12 = Sky, 12" high, FO-8 = Fossil, 8" high.
- 4) Enter completed code in Options section of Ordering Guide on page 1 of this Specification Sheet.

**SPECIFICATIONS**

- 100% Recyclable Polyester Material
- 1.6 Noise Reduction Coefficient (NRC)
- Class A Fire Rating
- Moisture and Mold Resistant
- UV Fade Resistant
- Stain repellent available

**DOWNLOADS**

- Visit [www.dayolite.com](http://www.dayolite.com) to download the following:
- Acoustic Test Report
- Letter of Apparent NRC
- Care and cleaning information
- Installation Guide

**NON-ILLUMINATED BAFFLES**

Non-Illuminated baffles matching the color and size of specified fixtures may also be ordered. These may be used as "fillers" between fixtures for added sound suppression, or alone as decorative elements. Specify as follows: TRIL-44-NIB (non-illuminated baffle)-XX (color)-YY (panel height). Example: TRIL-44-NIB-SL-16 = Trilogy 44 size, non-illuminated baffle, Slate color, 16" high panel. Day-O-Lite non-illuminated baffles are supplied with the same aircraft cable suspension as our acoustic luminaires and feature a closed bottom with a bevel detail to match fixtures.

**ADDITIONAL INFORMATION**

Smoke, Pewter and Slate are standard colors; consult factory for lead-times on other colors. Acoustic panels ship affixed to luminaires and are held in place by stop-blocks and double-sided tape to prevent bowing. Onsite removal may result in damage and void warranty. Fixtures must be stored and installed in an interior dry location at a minimum of 52F.

**A NOTE ON SOUND ABSORPTION**

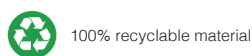
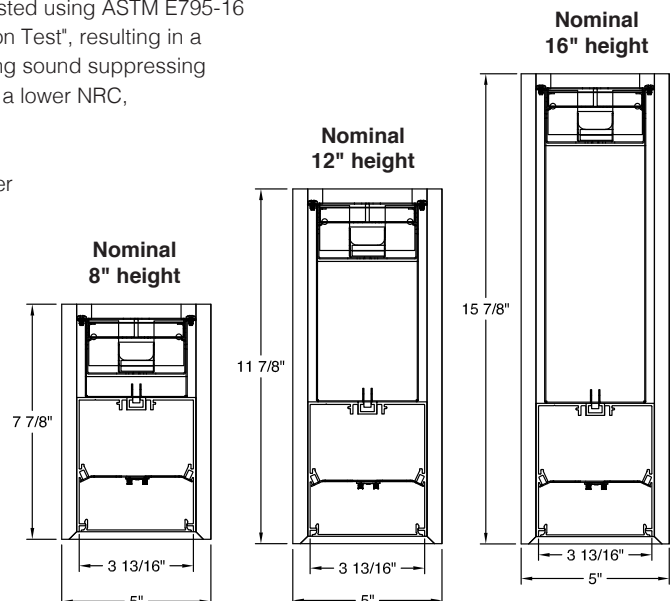
Per ASTM C423 there is no standard way to calculate sound absorption coefficients of non-standard shapes, sizes or spacing of material. Day-O-Lite's acoustic fixtures are tested using ASTM E795-16 Standard "Practices for Mounting Test Specimens During Sound Absorption Test", resulting in a noise reduction coefficient (NRC) unique to the test setup. When comparing sound suppressing materials those with a higher NRC will absorb more sound than those with a lower NRC, assuming the same test method is employed.

Additionally, more sound absorbing material in a space will result in greater sound suppression than less. Acoustic fixtures with 16" tall panels will be more effective at sound absorption than those with 8" or 12" high panels.

The full Acoustic Test Report, Certified Letter of Apparent NRC and Storage, Cleaning and Care information is available at [www.dayolite.com](http://www.dayolite.com).

**CUSTOM ACOUSTICS**

Acoustic Solutions may also be ordered in custom panel heights and with other custom modifications. Please contact Day-O-Lite directly to discuss your custom acoustic solutions today.



Day-O-Lite offers a variety of tunable white and tunable color options for a range of human centric applications and budgets. It is recommended that a recognized authority on the benefits and best practices of tunable white be consulted prior to specification. As a rule, fewer channels will provide a basic level of performance for budget conscious applications. Conversely, an increased number of channels, a wider CCT range, higher CRI and more precise color consistency may be more appropriate depending on the application and desired results.

#### HOW TO SPECIFY

Select from the various channel/control options below and insert desired **Ordering Code** into the **COLOR TEMP** column of the Ordering Guide on page 1. No need to add a dimming option as the codes include the chosen protocol.

#### 2-CHANNEL TUNABLE WHITE OPTIONS

2700K - 6500K CCT range  
1000L/ft LED modules @ 4000K  
80+ CRI w/3SDCM color accuracy  
10W/ft. nominal power

#### Ordering Codes

**2DIM10** for 0-10V control  
**2DALI** for DALI control  
**2DMX** for DMX control  
**2PSQ** for Lutron Quantum control  
**2SNS** for control via Signify SNS sensors  
**2CAS** for control via Casambi BLE wireless devices

#### LEGRAND BLANCO MULTI-CHANNEL OPTIONS

##### Blanco-2

Blanco-2 mixes two channels of white LEDs to approximate the blackbody curve for tunable white applications. CCT and intensity may be adjusted with controls by others.

3000K-5000K CCT range  
1000L/ft LED modules @ 4000K  
90+ CRI w/2SDCM color accuracy  
10W/ft. nominal power

#### Ordering Codes

**B2DLM** for DLM control

##### Blanco-3

Blanco-3 mixes three channels of white LEDs across a wider range of color temperatures for more demanding tunable white applications. CCT and intensity may be adjusted with controls by others.

2700K-6500K CCT range  
1000L/ft. LED modules @ 4000K  
90+ CRI w/SDCM color accuracy  
10W/ft. nominal power

#### Ordering Codes

**B3DLM** for DLM control

#### RGB & RGBW TUNABLE COLOR

RGB = Red, Green, Blue color mixing LEDs  
RGB/W = Red, Green, Blue + White of chosen CCT  
Dimming from 100% to 1%.  
90+ CRI w/3SDCM color accuracy  
10W/ft. nominal power

#### Notes:

RGB requires an RGB DMX or DALI controller (by others)

RGBW requires an RGBW DMX or DALI controller (by others)

All channels on one driver is standard, if isolating the White from the RGB channels is desired please consult factory.

RGB and RGBW are not recommended for tunable white applications.

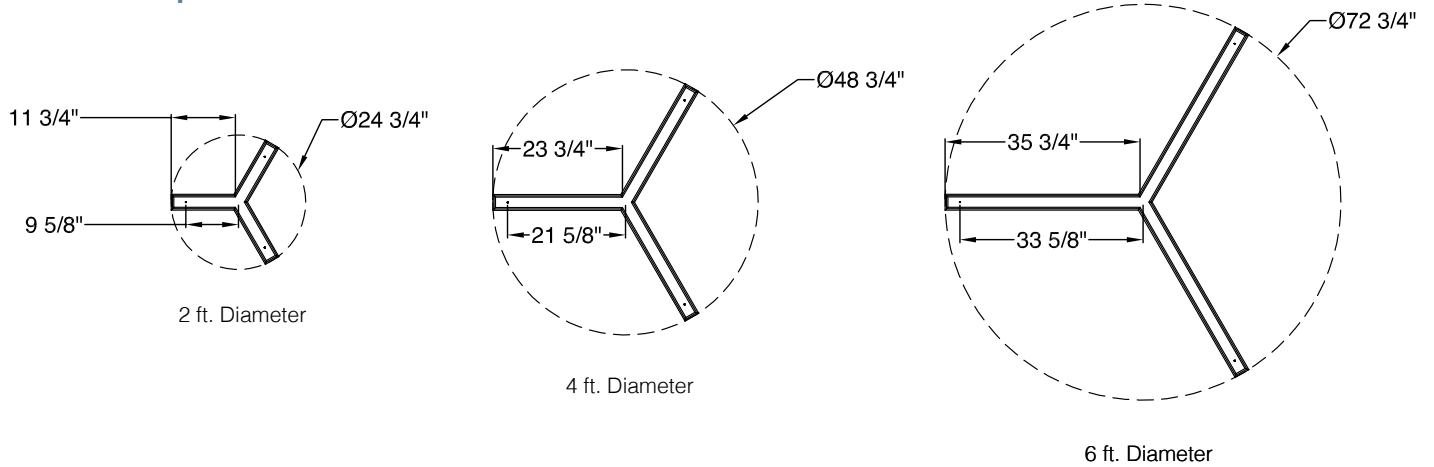
#### Ordering Codes

**RGB** for DMX control  
**RGB27** for DMX control w/2700K white  
**RGB30** for DMX control w/3000K white  
**RGB35** for DMX control w/3500K white  
**RGB40** for DMX control w/4000K white  
**RGB50** for DMX control w/5000K white  
**RGB65** for DMX control w/6500K white  
Add Suffix **DAL** for DALI Control to codes above.

#### 5-CHANNEL TUNABLE WHITE AND COLOR

RGBWW = Red, Green, Blue, Warm White, Cool White.  
Consult factory for RGBWW tunable white/color options.

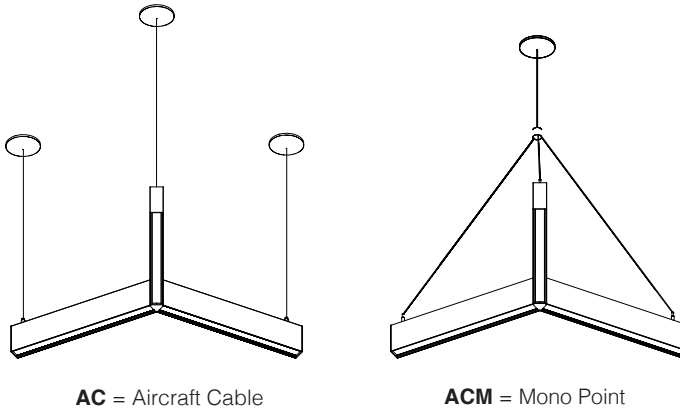
### Sizes & Suspension Locations



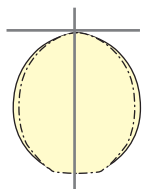
### Standard Suspensions

Standard suspension options include adjustable self-locking aircraft cables (AC), a 3-into-1 monopoint (ACM).

AC assembly is 48" x 1/16" with a 5" feed canopy and 2" suspension canopies. 60" 18 gauge power and 22 gauge dimming control SJT feed.



### Photometry



TRIL-44-D-SI-40-2	TRIL-44-D-SI-40-4	TRIL-44-D-SI-40-6
<p><b>LO</b> 4000K CCT WATTS: 16 LUMENS: 1512 LPW: 95 Distribution: 53% Direct 47% Indirect</p>	<p><b>LO</b> 4000K CCT WATTS: 32 LUMENS: 3274 LPW: 103 Distribution: 53% Direct 47% Indirect</p>	<p><b>LO</b> 4000K CCT WATTS: 47 LUMENS: 4955 LPW: 103 Distribution: 53% Direct 47% Indirect</p>
<p><b>SO</b> 4000K CCT WATTS: 21 LUMENS: 2035 LPW: 95 Distribution: 53% Direct 47% Indirect</p>	<p><b>SO</b> 4000K CCT WATTS: 42 LUMENS: 4358 LPW: 103 Distribution: 53% Direct 47% Indirect</p>	<p><b>SO</b> 4000K CCT WATTS: 63 LUMENS: 6625 LPW: 105 Distribution: 53% Direct 47% Indirect</p>
<p><b>HO</b> 4000K CCT WATTS: 26 LUMENS: 2426 LPW: 93 Distribution: 53% Direct 47% Indirect</p>	<p><b>HO</b> 4000K CCT WATTS: 53 LUMENS: 5420 LPW: 102 Distribution: 53% Direct 47% Indirect</p>	<p><b>HO</b> 4000K CCT WATTS: 79 LUMENS: 8130 LPW: 102 Distribution: 53% Direct 47% Indirect</p>

---

## Specifications

**ACOUSTIC PANELS** 1/2" thick, 100% recyclable polyester material, Class A fire rating, moisture, mold and UV fade resistant.

**CONSTRUCTION** Extruded aluminum housing. 20 gauge cold rolled steel internal components.

**REFLECTOR** Die-formed steel finished in highly reflective baked white enamel with pre-finished reflective LED tray.

**OPTICS** LED optimized Satin Ice (SI) acrylic regressed lens.

**LED** LED modules in 30/35/40 & 50K CCT, 80/90CRI. Lumen maintenance minimum  $L_{70} = 50,000$  hours. 3 SDCM color consistency.

**DRIVER** Standard driver is Class 2 AOC 0-10V to 1%, 120/277V input, PF > 90%, THD < 20 @ 120V. Additional dimming protocols available. All drivers prewired from factory for connection to control system (by others). Field replaceable.

**MOUNTING** Standard options include adjustable self-locking aircraft cables (AC), and a 3-into-1 aircraft cable monopoint (ACM). AC assembly is 48" x 1/16" with a 5" feed canopy and 2" suspension canopies. 18 gauge power and 22 gauge dimming control SJT feed.

**FINISH** Housing and components finished in baked white enamel. Canopies and pendant stems are white enamel unless otherwise specified.

**CERTIFICATION** Luminaires are cETLus listed conforming to UL STD. 1598 and certified to CSA STD C22.2 NO. 250.0. Suitable for dry & damp locations. Union Made in the United States of America. I.B.E.W. RoHS compliant.