



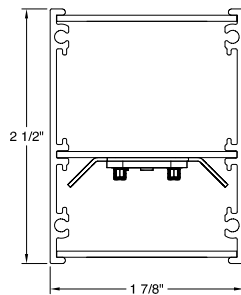
# Compass Series | COML-22-D

Date		Notes
Project		
Type	Qty	

## Features

- Standard Diameter from 2' to 20'.
- Durable extruded aluminum housing.
- LED optimized optics for smooth, efficient illumination.
- Programmable driver for custom lumen packages.
- 0-10V dimming to 1% standard. Dim-to-off available.
- DMX, Lutron and DALI protocols also available.
- Sensor Ready for wireless Smart Lighting Solutions.
- 80/90CRI, Tunable White, RGBW & RGBWW.
- Bios SkyBlue™ circadian solutions available.

**Declare** Red List Approved.



DP  
Lens



## Ordering Guide



MODEL	OPTICS	CCT	LUMENS	DIAMETER	MOUNTING <sup>5</sup>	FINISH	OPTIONS
<b>COML-22-D</b>	<b>DP</b>						
COML-22-D Direct	DP = Diffuse Polycarbonate (lay-in)  2 ft, 3 ft, and 4 ft diameters include a one piece lens.  All other diameters consist of multiple lenses that match their respective section size and count page 4.	<b>STATIC WHITE<sup>1</sup></b> 27 = 2700K 30 = 3000K 35 = 3500K 40 = 4000K 50 = 5000K  <b>BIOS SkyBlue<sup>2</sup></b> Spectrally optimized circadian solutions.  <b>TUNABLE WHITE<sup>3</sup></b> (2700K-6500K) 2DIM10 = for 0-10V 2DMX = for DMX 2ESN = for Philips 2CAS = for Casambi  <b>DIM-TO-WARM<sup>3</sup></b> (2700K-6500K) DTW = Dim-to-Warm  <b>RGB &amp; WHITE</b> RGB = RGB RGBW = RGBW <sup>4</sup> RGBWW = RGBWW (2700K-6500K)	<b>STANDARD</b> See table page 4 for lumens for all diameters.  <b>CUSTOM</b> For custom lumens please specify any value < HO.	2 = 2' 3 = 3' 4 = 4' 5 = 5' 6 = 6' 8 = 8' 10 = 10' 12 = 12' 16 = 16' 20 = 20'  2', 3', 4', 5' sizes are single piece housings.  See page 4 for larger diameter details.  Custom sizes please enter diameter > 2'	AC = Aircraft Cable  PD = Pendant Stem  ACM = Mono Point (2', 3', 4' diameter only)  S = Surface	W = White  CC = Custom Color  AMW = Anti-Microbial White	<b>DIMMING DRIVERS<sup>6</sup></b> DIM10 = 0-10V (1%) - <b>Standard</b> DTO = 0-10V (Dim-to-Off) DIMST = 0-10V Step Dimming 347 = 0-10V (347V) DIMSR = DALI Sensor Ready (5.0%) DALI = DALI (5.0%) DMX = DMX  <b>LUTRON™ DIMMING DRIVERS</b> LDE1 = Hi-Lume 1% EcoSystem LD2 = Digital 1% (DALI-2) L3DA3W = Hi-Lume 1% 3-Wire  <b>SENSORS &amp; CONTROLS<sup>7</sup></b> ESN = EasySense Sensor AWNS = Lutron Athena Sensor AWNR = Lutron Athena Node CAS = Casambi Wireless Control (More options page 6)  <b>EMERGENCY<sup>7/8</sup></b> EMC = Emergency Circuit GTD = Generator Transfer Device EPC4 = 4W Emergency Battery Pack EPC6 = 6.5W Emergency Battery Pack EPC10 = 10W Emergency Battery Pack EPC12 = 12W Emergency Battery Pack  <b>WIRING &amp; OTHER</b> FWH = Flexible Wiring Harness DWH <sup>9</sup> = DMX Wiring Harness

<sup>1</sup>CCT @ 80+CRI, 3SDCM. For 90CRI add prefix '9'; ex: 935 = 3500K, 90CRI.

<sup>2</sup>BIOS SkyBlue Biological Static & Dynamic circadian lighting page 3.

<sup>3</sup>Tunable White, Dim-to-Warm and RGBW ordering codes page 2.

<sup>4</sup>Add white CCT to RGBW; ex: RGB35 = RGB w/3500K white.

<sup>5</sup>See page 5 for mounting option details.

<sup>6</sup>Drivers and Emergency Battery packs may be limited by fixture radius. Consult factory for component fit.

<sup>7</sup>Sensors and control options to be commissioned in the field using applicable apps by qualified personnel; page 6.

<sup>8</sup>EPC6 is standard unless otherwise specified. EPC not for DMX drivers.

<sup>9</sup>DMX driver leads and through wiring with RJ-45 connectors.

## TUNABLE WHITE - Fixture Level Control



Tunable White available in a range of 2700K-6500K CCT @ 80+CRI and 3SDCM color accuracy. Control via two 0-10V dimmers (one CCT, one intensity) controllers. Consult factory for 90CRI, electrical specifications and other details for each option below.

### Applications:

- Spaces occupied overnight (~ 7pm to 7am)
- 24-hour spaces
- Shiftwork & Hospitals
- Senior Living, Alzheimer's, Dementia & Assisted Living
- Higher Education, including student and staff
- Workplaces, including areas occupied after 7pm

### Ordering Codes:

**2DIM10** = 0-10V  
**2DMX** = DMX  
**2CAS** = Casambi Wireless  
**2ESN** = Philips EasySense Wireless (DT8, D4i, w/Occupancy & Daylight Harvesting. Requires wireless switches by others)

## DIM-to-WARM - Fixture Level Control



Dim-to-Warm mimics incandescent dimming by warming the CCT from 6500K to 2700K as light levels are dimmed. Simply lower the intensity and CCT changes from high to low. Compatible with most 0-10V dimmers (by others). Ideal for hospitality, restaurants and living facilities.

### Applications:

- Hospitality
- Entertainment
- Living Facilities

### Ordering Code:

**DTW** = Dim-to-Warm (0-10V)

## RGBW & RGBWW<sup>1</sup> - Fixture Level Control



Available in diameters of 5' and above only.

RGB color effects plus white CCT lumens (LO/SO/HO) for general illumination in a host of applications. All options require DMX control (by others). White CCTs are 80CRI w/3SDCM color accuracy standard. Consult factory for details when ordering.

### Applications:

- Entertainment Spaces
- Hospitality & Banquet
- Theatre & Stage
- Seasonal Applications
- Branding
- Wayfinding

### Ordering Codes:

**RGB** = RGB only  
**RGB27** = RGB w/2700K  
**RGB30** = RGB w/3000K  
**RGB35** = RGB W/3500K  
**RGB40** = RGB w/4000K  
**RGB50** = RGB w/5000K  
**RGBWW** = RGB & Tunable White (2700K-6500K)

<sup>1</sup>RGBW, RGBWW options must be addressed and commissioned by knowledgeable controls/DMX professionals.

**DWH** integral DMX wiring harnesses available. Consult factory for details.

## BIOS SkyBlue

BIOS SkyBlue biological technology brings the benefits of blue skies inside. BIOS SkyBlue is the only spectrally optimized circadian solution to pinpoint the region that drives wellness benefits including: increased alertness, enhanced productivity, better mood, and better sleep. More information may be found at [www.bioslighting.com](http://www.bioslighting.com) or by contacting Day-O-Lite directly.

## BIOS Biological Static - Daytime Solution

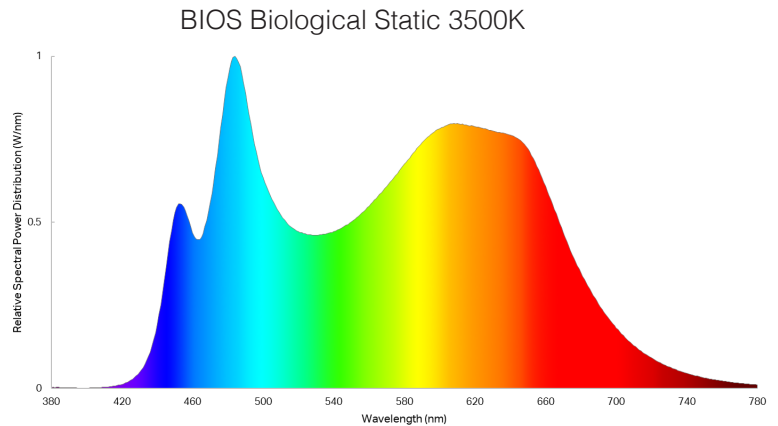
BIOS Biological Static solutions are designed for daytime applications. BIOS Static Biological LED features key BIOS SkyBlue (490nm) for maximum daytime circadian impact. BIOS Static Biological LED Light Engines are available in 3000K, 3500K, and 4000K. Lighting controls are easy; simply switch the lights on/off or the lights can be dimmed using a single-channel constant current (CC) LED driver with any standard dimming interface.

Applications:

- Spaces occupied during the daytime ~7am – 7pm
- K-12 Schools / Higher Education
- Offices
- Daytime Adult Care Facilities
- Medical Offices

BIOS Biological Static  
Ordering Codes:

- B30** = 3000K
- B35** = 3500K
- B40** = 4000K



## BIOS Biological Dynamic - Day & Night Solution A

BIOS Biological Dynamic solutions are designed to transition from daytime to evening in a dim-to-warm protocol. The daytime CCT includes full BIOS SkyBlue (490nm) for maximum daytime circadian impact, while the evening spectrum removes BIOS SkyBlue altogether, providing a minimal circadian stimulus after hours. Available in 3000K-2700K, 3500K-3000K and 4000K-3500K. Simply dim the lights in the evening to remove the daytime SkyBlue wavelengths (490nm) and convert your lights from day mode to night mode via a single controller (0-10V, ELV, DMX, Wireless).

## BIOS Biological Tunable White - Day & Night Solution B

BIOS Biological Tunable solutions are designed to transition from daytime to evening in a dim-to-warm protocol. The daytime CCT includes full BIOS SkyBlue (490nm) for maximum daytime circadian impact, while the evening spectrum removes BIOS SkyBlue altogether, providing a minimal circadian stimulus after hours. Available in 3000K-2700K, 3500K-3000K and 4000K-3500K. Simply dim the lights in the evening to remove the daytime SkyBlue wavelengths (490nm) and convert your lights from day mode to night mode via a single controller (0-10V, ELV, DMX, Wireless).

BIOS Biological Tunable is also compatible with two-channel color tuning systems. Simply dim the lights in the evening to convert your lights from day mode to night mode via a multi-channel controller (0-10V, ELV, DMX, Wireless). 3000K, 3500K and 4000K CCTs all dim to 2700K.

Applications:

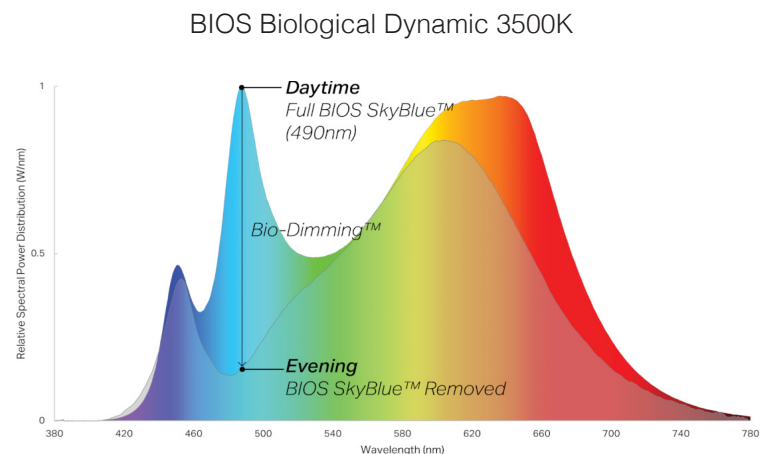
- Spaces occupied overnight (~ 7pm to 7am)
- 24-hour spaces
- Shiftwork & Hospitals
- Senior Living, Alzheimer’s Dementia & Assisted Living
- Higher Education, including student and staff
- Workplace, including areas occupied after 7pm

BIOS Biological  
Dynamic White  
Ordering Codes:

- B30D** = 3000K-2700K
- B35D** = 3500K-3000K
- B40D** = 4000K-3500K

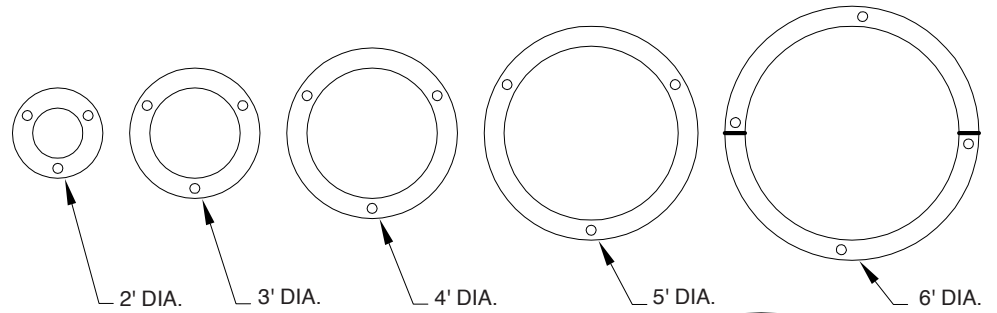
BIOS Biological  
Tunable White  
Ordering Codes:

- B30T** = 3000K-2700K
- B35T** = 3500K-2700K
- B40T** = 4000K-2700K



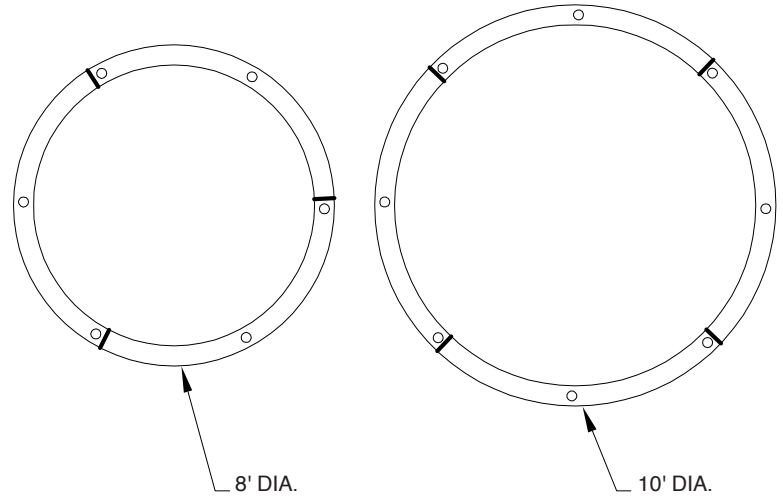
### Key

○ Indicates suspension points.  
 ✂ Indicates section breaks.  
 2', 3' 4' & 5' are single piece housings. 2', 3' & 4' w/single piece lens. 5' and greater include multiple lenses. 6' and up sections are all the same size for easy field assembly.



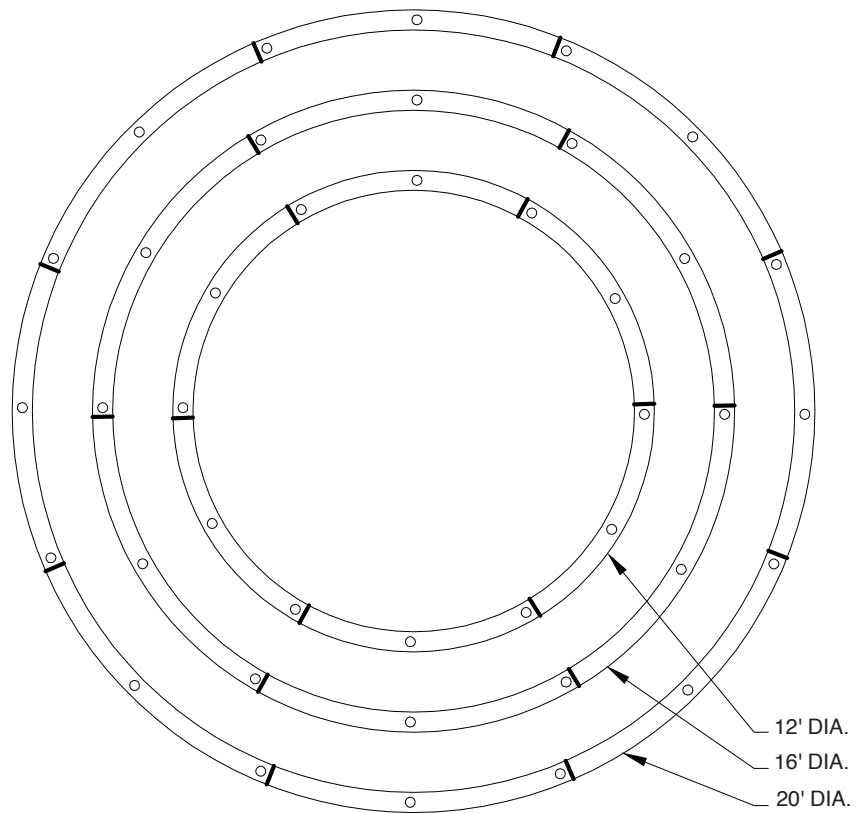
### Lumens<sup>1</sup>

DIA'	LO LUMENS	SO LUMENS	HO LUMENS
2	2950	3900	4800
3	TBD	TBD	TBD
4	TBD	TBD	TBD
5	TBD	TBD	TBD
6	TBD	TBD	TBD
8	TBD	TBD	TBD
10	TBD	TBD	TBD
12	TBD	TBD	TBD
16	TBD	TBD	TBD
20	TBD	TBD	TBD



### Electrical

DIA'	LO W	LO LPW	SO W	SO LPW	HO LPW	HO LPW
2	26	113	35	112	44	109
3	TBD	TBD	TBD	TBD	TBD	TBD
4	TBD	TBD	TBD	TBD	TBD	TBD
5	TBD	TBD	TBD	TBD	TBD	TBD
6	TBD	TBD	TBD	TBD	TBD	TBD
8	TBD	TBD	TBD	TBD	TBD	TBD
10	TBD	TBD	TBD	TBD	TBD	TBD
12	TBD	TBD	TBD	TBD	TBD	TBD
16	TBD	TBD	TBD	TBD	TBD	TBD
20	TBD	TBD	TBD	TBD	TBD	TBD



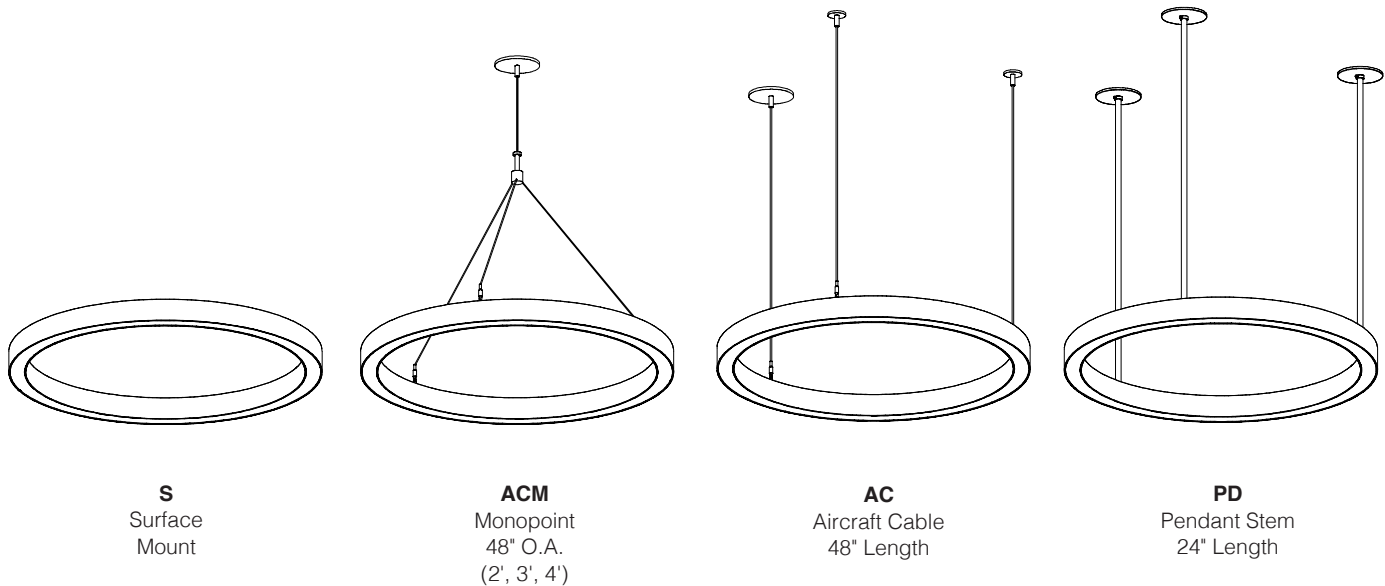
### Mechanical

DIA'	DIA"	SEC. CNT.	LENS CNT.	SEC. LGTH.	MTG. PTS.
2	23"	1	1	23"	3
3	35"	1	1	35"	3
4	47"	1	1	47"	3
5	60"	1	2	60"	3
6	72"	2	TBD	72"	4
8	96"	3	TBD	83 1/8"	6
10	120"	4	TBD	84 7/8"	8
12	144"	6	TBD	72"	12
16	192"	6	TBD	96"	12
20	240"	8	TBD	91 7/8"	16

3500K @ 80CRI, 4', DP lens. Use the following multipliers for other CCTs: 2700K x 0.96, 3000K x 0.98, 4000K x 1.02, 5000K x 1.03. IES files @ [www.dayolite.com](http://www.dayolite.com)

## Suspensions

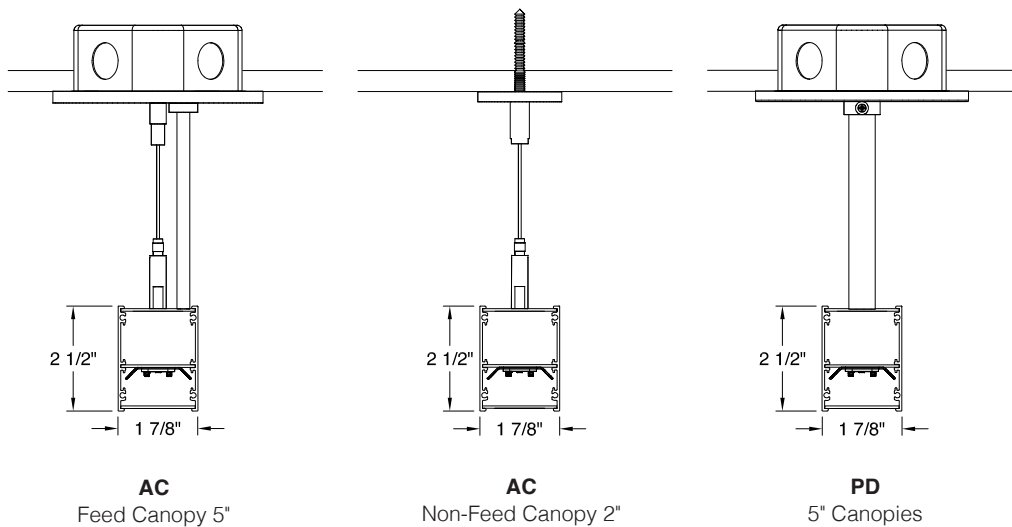
Standard suspension options include adjustable self-locking aircraft cables (AC), a 3-into-1 monopoint (ACM) and rigid pendant stems (PD). AC assembly is 48" x 1/16" with a 5" feed canopy and 2" suspension canopies. 60" 18 gauge power and 22 gauge dimming control SJT feed. PD assemblies are 5/8" dia. (or 3/8" IP) hollow stem for power feed by others, 24" is standard.



Consult factory for longer ACM, AC and PD suspension lengths.  
 See page 4 for number of AC & PD suspension points per diameter..  
 All feed canopies 5" dia., all non-feed canopies 2" dia.  
 All canopies white unless requested otherwise.

## Mounting

Standard suspension options include adjustable self-locking aircraft cables (AC) and rigid pendant stems (PD). AC assembly is 48" x 1/16" with a 5" feed canopy and 2" suspension canopies. 60" 18 gauge power and 22 gauge dimming control SJT feed. PD assemblies are 5/8" dia. (or 3/8" IP) hollow stem for power feed (by others); 24" is standard. Consult factory for longer suspension lengths and other mounting options.



**AC-PF** = Replacement Power Feed Kit w/5" canopy.  
**AC-NF** = Replacement Non/Feed Kit w/2" canopy.  
 Consult factory for custom lengths and either 5 or 6 wire power feeds.

Smart Lighting Solutions<sup>1</sup> offer energy savings & building code compliance to meet today's energy saving requirements; solutions that combine sensors and controls with features including occupancy sensing, daylight harvesting, reporting, tunable white, temperature sensing and integration with a wide variety of room/building control systems (by others).

The following offerings are for fixture-integral sensors and controls. Day-O-Lite luminaires are also compatible with many remote sensor/control systems not shown here. Each manufacturer offers multiple options; not all catalogued below. Consult factory when ordering.

SMART SOLUTIONS <sup>1</sup>	ORDER CODES	MFG.	IMAGE <sup>3</sup>	SENSING TYPE	DRIVER TYPE	SMART PHONE APP <sup>4</sup>	FUNCTION	TUNABLE WHITE & RGBW
	AVP	Avi-on		PIR/PCell	0-10V	Avi-on Mobile	Occupancy	No
	AVM			Microwave			Occupancy Daylight	
	BNV	BubblyNet		PIR & Photocell	0-10V	BubblyNet	Occupancy Daylight	No
	BND				DALI			
	CAS	Casambi		NA	0-10V DALI DMX	Casambi Pro	Wireless Control Only	Tunable RGBW
	ENC	Legrand Encelium		PIR & Photocell	0-10V DALI	Encelium Edge	Occupancy Daylight	Tunable White
	ENL	Enlighted		PIR & Photocell	0-10V	DLM Config	Occupancy Daylight Temp F/C	Tunable White
	LEG	Legrand Wattstopper		PIR/PCell	0-10V	DLM Config	Occupancy	No
				Microwave			Occupancy Daylight	
	ANS	Lutron Athena		PIR & Photocell	0-10V DALI-2	Athena App	Occupancy Daylight	Tunable White
	NLT	Acuity nLiGHT		PIR & Photocell	0-10V & LEDcode	nConfig	Occupancy Daylight	No
	NXC	Current NX		PIR & Photocell	0-10V	NX Connect	Occupancy Daylight	Tunable White
	ESN	Philips EasySense		PIR & Photocell	Signify Sensor Ready	Master Connect	Occupancy Daylight	Tunable White
	WVL	Cooper WaveLinX		PIR & Photocell	0-10V	WaveLinX Lite & Pro	Occupancy Daylight	No

<sup>1</sup>Not all options above available in all markets. Design and specifications subject to change. Images may not be representative of actual component. Wireless control devices require compatible wireless switches (by others) for manual control. All options are to be commissioned on site by qualified Individuals using appropriate apps (by others).

## Specifications

**CONSTRUCTION:** Extruded aluminum housing. 20 gauge cold rolled steel internal components. 2' to 20' and custom diameters.

**REFLECTOR:** Die-formed steel finished in highly reflective baked white enamel with pre-finished reflective LED tray.

**OPTICS** LED optimized Diffuse Polycarbonate (DP) lens is standard.

**LED:** Static white LED modules in 30/35/40 & 50K CCT, 80/90CRI. Lumen maintenance minimum  $L_{70}$  = 50,000 hours. 3 SDCM color consistency. BIOS SkyBlue, RGB, RGBW, RGBWW. Tunable White and Dim-to-Warm options available.

**DRIVER:** Standard driver is Class 2 AOC 0-10V to 1%, Dim-to-Off available. 120/277V input, PF > 90%, THD < 20 @ 120V. DMX, DALI & Lutron protocols available. All drivers prewired for connection to control system (by others); field replaceable.

**MOUNTING:** Standard options include adjustable self-locking aircraft cables (AC), and rigid pendant stems (PD). AC assembly is 48" x 1/16" with a 5" feed canopy and 2" suspension canopies. 18 gauge power and 22 gauge dimming control SJT feed. 3-into-1 monopoint suspension available on diameters 2', 3' & 4'. May also be surface ceiling mounted.

**FINISH:** Housing and components finished in baked white enamel. Canopies and pendant stems are white enamel unless otherwise specified. 5" Feed canopy w/2" Suspension canopies.

**CERTIFICATION:** cETLus listed conforming to UL STD. 1598 and certified to CSA STD C22.2 NO. 250.0. Suitable for dry & damp locations. Union Made in the United States of America. I.B.E.W. RoHS and BAA compliant and Declare Red List Approved.

**LEGAL:** Day-O-Lite, a division of SCW Corporation. All rights reserved. The Day-O-Lite logo is a registered trademark of SCW Corporation. Day-O-Lite reserves the right to change specifications without notice for product improvement.