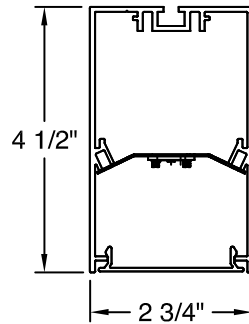
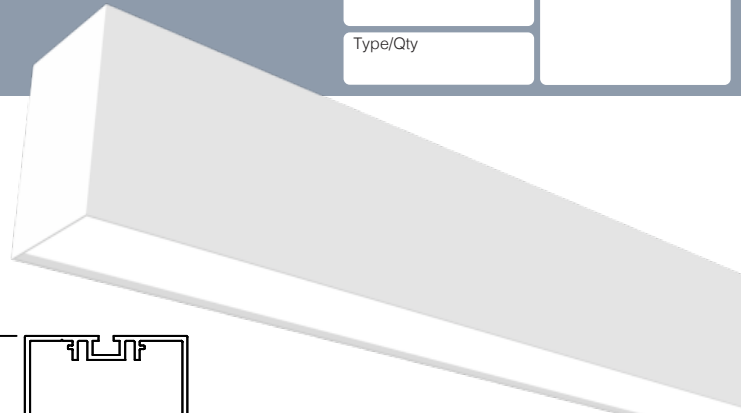


Date	Notes
Project	
Type/Qty	

Features

- Extruded aluminum housing w/welded end caps.
- LED optimized optics for smooth, efficient illumination.
- Individual fixtures, continuous rows or custom patterns.
- Programmable driver for custom lumen packages.
- 0-10V dimming to 1% standard. Dim-to-off available.
- DMX, Lutron and DALI protocols also available.
- Sensor Ready for wireless Smart Lighting Solutions.
- 80/90CRI, Tunable White, RGBW & RGBWW.
- Advanced Color (RGBW) w/pixel control to 5".
- Bios SkyBlue™ circadian solutions available.
- DLC** V5.1 Standard Listed up to 118 LPW.
- Declare** Red List Approved.



Flush Lens

See page 5 for additional optics and mounting options.



Ordering Guide



MODEL	OPTICS	LED ¹	LUMENS ²	LENGTH	MOUNTING ⁴	FINISH	OPTIONS
PRFL-24-D							
PRFL-24-D Direct	<p>STANDARD FL = Flush Opal Acrylic (snap-in)</p> <p>OPTIONAL DL = 1" Drop Opal Acrylic (snap-in)</p> <p>SCB = Cross Baffle w/acrylic overlay</p> <p>LIGHT SHAPING (semi-diffuse)</p> <p>AS = Asymmetric (lay-in)</p> <p>ASP = Asymmetric (snap-in)</p> <p>CM = Collimating (lay-in)</p> <p>BW = Batwing (lay-in)</p> <p>BLACK OUT LENS BK = Black Out Lens (20LPW maximum)</p>	<p>STATIC WHITE 27 = 2700K 30 = 3000K 35 = 3500K 40 = 4000K 50 = 5000K</p> <p>BIOS SkyBlue Spectrally optimized circadian solutions.</p> <p>TUNABLE WHITE (2700K-6500K) 2DIM10 = for 0-10V 2DMX = for DMX 2ESN = for Philips 2CAS = for Casambi 2LUT = for Lutron</p> <p>DIM-TO-WARM (2700K-6500K) DTW = Dim-to-Warm</p> <p>RGB + WHITE RGB = RGB RGBW = RGBW RGBWW = RGBWW</p> <p>ADVANCED COLOR 125mm incremental pixel color control for chase and animated effects.</p>	<p>STANDARD LO = 502/ft (5W/ft, 100LPW)</p> <p>SO = 669/ft (7W/ft, 100LPW)</p> <p>HO = 835/ft (8W/ft, 100LPW)</p> <p>CUSTOM LUMENS Specify < HO.</p> <p>DLC LUMENS³ @3500K S3D = 800/ft (6W/ft, 118LPW)</p> <p>@4000K S4D = 800/ft (6W/ft, 118LPW)</p>	<p>2 = 2 ft (22 1/4")</p> <p>3 = 3 ft (33 3/8")</p> <p>4 = 4 ft (44 1/2")</p> <p>5 = 5 ft (55 5/8")</p> <p>6 = 6 ft (66 3/4")</p> <p>7 = 7 ft (77 7/8")</p> <p>8 = 8 ft (89")</p> <p>For other enter row length (48 = 48 ft)</p>	<p>AC = Aircraft Cable</p> <p>PD = Pendant Stem</p> <p>S = Surface Mount</p>	<p>W = White</p> <p>CC = Custom Color</p> <p>AMW = Anti Microbial White</p>	<p>DIMMING DRIVERS DIM10 = 0-10V (1%) - Standard DTO = 0-10V (Dim-to-Off) DIMST = 0-10V Step Dimming 347 = 0-10V (347V) DIMSR = DALI Sensor Ready (5.0%) DALI = DALI (5.0%) DMX = DMX</p> <p>LUTRON™ DIMMING DRIVERS LDE1 = Hi-Lume 1% EcoSystem LD2 = Digital 1% (DALI-2) L3DA3W = Hi-Lume 1% 3-Wire</p> <p>SENSORS & CONTROLS⁵</p> <p>EMERGENCY BATTERY⁶ EPC4 = 4W Integral Battery EPC6 = 6.5W Integral Battery EPC10 = 10W Integral Battery EPC12 = 12W Integral Battery</p> <p>WIRING & OTHER EMC = Emergency Circuit GTD = Generator Transfer Device FWH = Flexible Wiring Harness DWH = DMX Wiring Harness</p>

¹All LED, BIOS, Tunable White, DTW, and RGBW options and Ordering Codes page 2.

²Lumens at 80CRI, 3500K, FL lens. Photometry page 5. Custom lumens may be specified at an level below HO.

³DLC options are limited to FL optics, static white 35/40K CCT @ 80CRI, SO lumens, all mounting, all finishes, and all options excluding DIMST.

⁴See page 5 for mounting option details.

⁵All Sensor & Control options page 2.

⁶EPC6 is standard unless otherwise specified. EPC not for DMX drivers.

BAA letter of compliance available at www.dayolite.com. Please consult factory for BABAA requests.

RS 10 Day Rapid Ship options in green. Details page 6.

LED, BIOS, Sensor & Control Ordering Codes

LED

Static White

30 = 3000K 80 CRI
 35 = 3500K 80 CRI
 40 = 4000K 80 CRI
 50 = 5000K 80 CRI

927 = 2700K 90 CRI
 930 = 3000K 90 CRI
 935 = 3500K 90 CRI
 940 = 4000K 90 CRI

Tunable White¹
(2700K-6500K)

2DIM10 = 0-10V 80 CRI
 2DMX = DMX 80 CRI
 2CAS = Casambi Wireless 80 CRI
 2ESN = Philips EasySense 80 CRI
 2LUT = Lutron (LD2) 80 CRI

92DIM10 = 0-10V 90 CRI
 92DMX = DMX 90 CRI
 92CAS = Casambi Wireless 90 CRI
 92ESN = Philips EasySense 90 CRI
 92LUT = Lutron (LD2) 90 CRI

Dim-to-Warm²

DTW = 6500K-2700K 80 CRI
 9DTW = 6500K-2700K 90 CRI

RGB/W³

RGB = RGB only
 RGB27 = RGB w/2700K
 RGB30 = RGB w/3000K
 RGB35 = RGB W/3500K
 RGB40 = RGB w/4000K
 RGB50 = RGB w/5000K
 RGBWW = RGB w/2700K-6500K

Single Color⁴

RED = Red
 BLU = Blue
 GRN = Green
 AMB = Amber

Advanced Color⁵

Advanced Color options combine RGB or RGBW with multi-pixel control for advanced chases, animated visual effects and other programmable scenes with 125mm pixel granularity.

ACRGB = RGB only
 AC27 = RGB w/2700K
 AC30 = RGB w/3000K
 AC40 = RGB w/4000K

BIOS SkyBlue

BIOS SkyBlue biological technology brings the benefits of blue skies inside. BIOS SkyBlue is the only spectrally optimized circadian solution to target the region that drives wellness benefits including increased alertness, enhanced productivity, better mood, and better sleep. More information may be found at www.bioslighting.com or by contacting Day-O-Lite directly. All options for 0-10V control.

BIOS Biological Static

For daytime applications. BIOS Static Biological LED features key BIOS SkyBlue (490nm) for maximum daytime circadian impact.

B30 = 3000K
 B35 = 3500K
 B40 = 4000K

BIOS Biological Dynamic White

Designed to transition from daytime to evening in a dim-to-warm protocol. The daytime CCT includes full BIOS SkyBlue (490nm) for maximum daytime circadian impact, while the evening spectrum removes BIOS SkyBlue for minimal circadian stimulus after hours.

B30D = 3000K-2700K
 B35D = 3500K-3000K
 B40D = 4000K-3500K

BIOS Biological Tunable White

Designed to transition from daytime to evening in a tunable white protocol. The daytime CCT includes full BIOS SkyBlue (490nm) for maximum daytime circadian impact, while the evening spectrum removes BIOS SkyBlue for minimal circadian stimulus after hours.

B30T = 3000K-2700K
 B35T = 3500K-2700K
 B40T = 4000K-2700K

¹Tunable white may be controlled by a number of dimming protocols as shown. The 2ESN Philips EasySense option includes daylight and occupancy sensing plus tunable white control through wireless switches (by others; i.e. Philips, Illumra).

²Dim-to-Warm mimics incandescent dimming by warming the CCT from 6500K to 2700K as light levels are dimmed. Simply lower the intensity and CCT changes from high to low. Compatible with most 0-10V dimmers (by others). Ideal for hospitality, restaurants and living facilities.

³All RGB, RGBW and RGBWW options for DMX control (by others). 80 CRI standard.

⁴Single colors are constant voltage LEDs. Dimming requires ELV controller (by others).

⁵White limited to 100L/ft.

Sensors & Controls

Sensors*

AVO = Avi-On Occ/Day
 AVM = Avi-On Occ (Microwave)
 BNV = BubblyNet Occ/Day
 ENC = Encelium Occ/Day
 ENL = EnLighted Occ/Day/Temp
 LEG = Legrand Occ/Day
 ANW = Lutron Athena Occ/Day
 VIVE = Lutron Vive Occ/Day
 NLT = Acuity nLight Occ/Day
 NXC = Current NX Occ/Day
 ESN = Philips EasySense Occ/Day
 WWL = Cooper WaveLinx Occ/Day

Wireless Control*

CAS = Casambi

*Sensors and control options to be commissioned wirelessly in the field by qualified controls personnel with applicable apps (by others).

Other Options

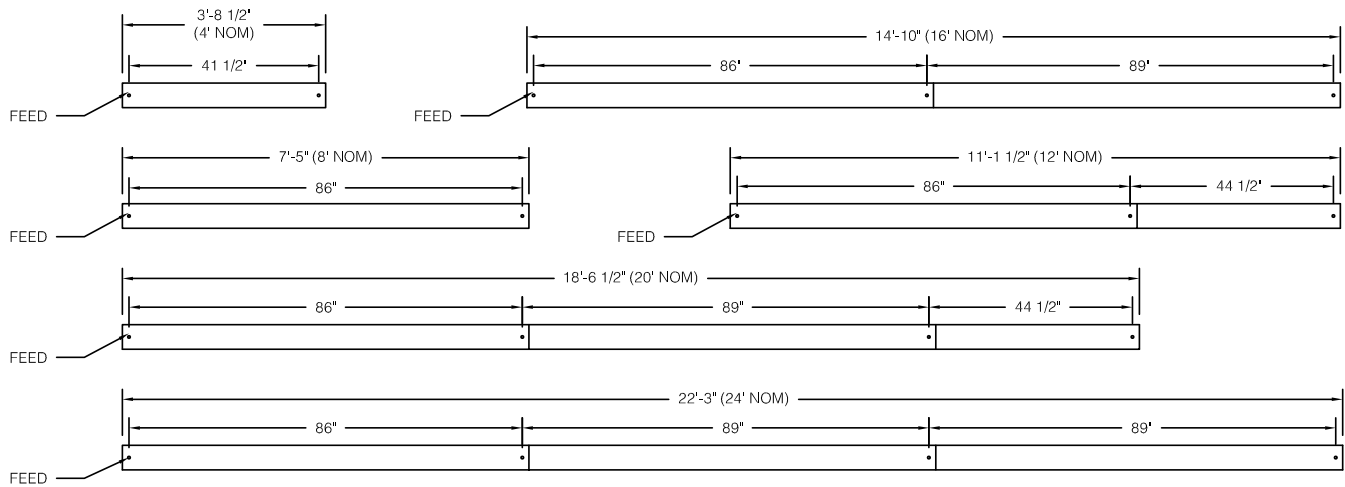
Other sensor and wireless control options are available. Contact factory for details.

Individual Fixtures & Continuous Rows

NOMINAL LENGTH	ACTUAL LENGTH	SUSP. 1 O.C.	SUSP. 2 O.C.	SUSP. 3 O.C.
4'	3' 8-1/2"	41 1/2"		
8'	7' 5"	86		
12'	11' 1-1/2"	86	44 1/2"	
16'	14' 10"	86	89	
20'	18' 6-1/2"	86	89	44 1/2"
24'	22' 3"	86	89	89

Individual fixtures and rows are continuously illuminated and joined with included aligner brackets and hardware. Power feed locations and mounting locations are shown below.

Continuous rows longer than 8' and patterns, including EPC/EMC and sensor locations must be approved prior to manufacturing.

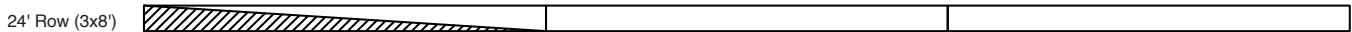


Emergency & Sensor Locations

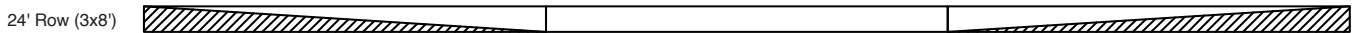
EPC will control entire length of individual fixtures. Individual fixtures of differing lengths will deliver the same lumens under EPC power (a 4' fixture will deliver the same total lumens over half the length of an 8' fixture). **EMC** controlled individual fixtures will deliver lumens per foot as originally specified, unless dimmed at time of power loss. Consult factory for EMC dimming override device.



For individual fixtures to 8' **EPC/EMC** will power entire fixture.



For continuous rows longer than 8' one **EPC/EMC** will be located in the feed section (end-left) of the row.



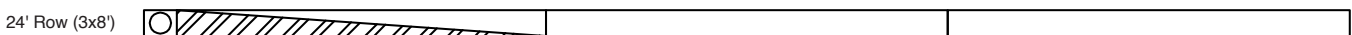
If two **EPC/EMC**'s are required their locations will be in the feed section (end-left) and last section (end-right).



Custom placement of one or more **EPC/EMC**'s must be clearly identified during ordering.



SENSORS for individual fixtures will control entire length of fixture and will be located on feed end of fixture.

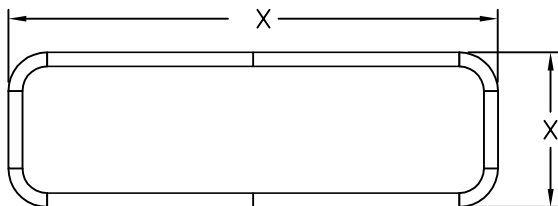
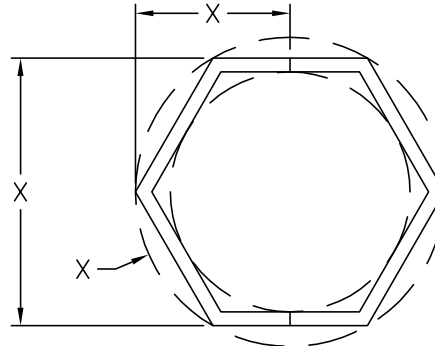
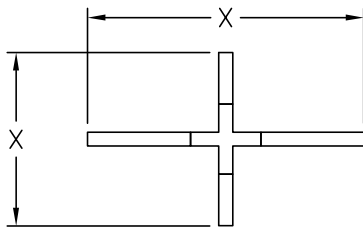
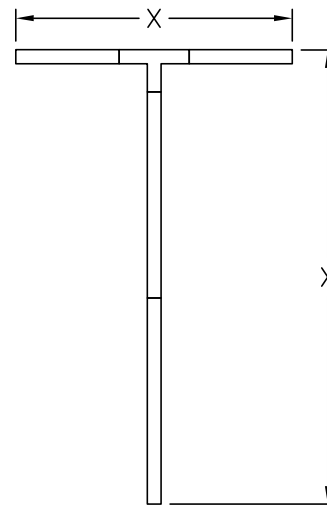
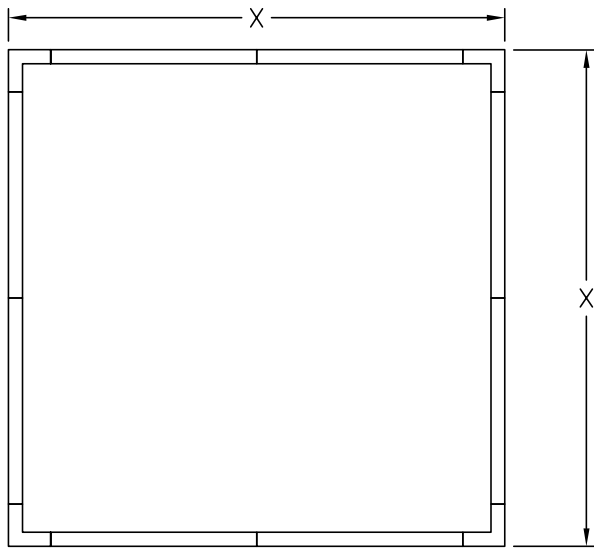


SENSORS for rows will control the feed section (end-left) of the row. Sensors can control more than an 8' section within a row. Consult factory for sensor/section options, or for multiple sensors in a continuous row.

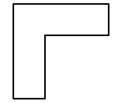
Pattern Guide

Profile may be specified in patterns of virtually any configuration. All patterns and corners are continuously illuminated and joined with included aligner brackets and joining hardware. See examples below for suggestions. Day-O-Lite's custom manufacturing capabilities allow the specification of custom angled connectors to make non-square patterns possible. All corners and connectors are fully illuminated, and welded.

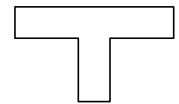
Pattern Examples



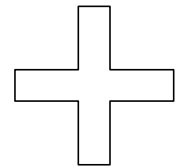
Illuminated Connectors



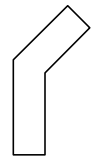
ILC2 = 90° Corner



ILC3 = 90° Tee



ILC4 = 90° Cross

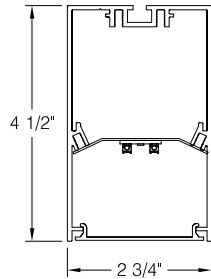


ILCX = X° Custom

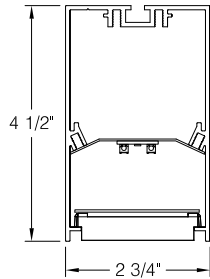


ILCR = Custom Radius

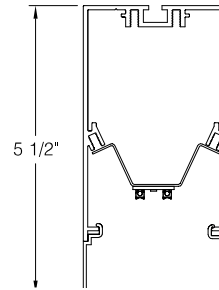
Optics



Flush Lens



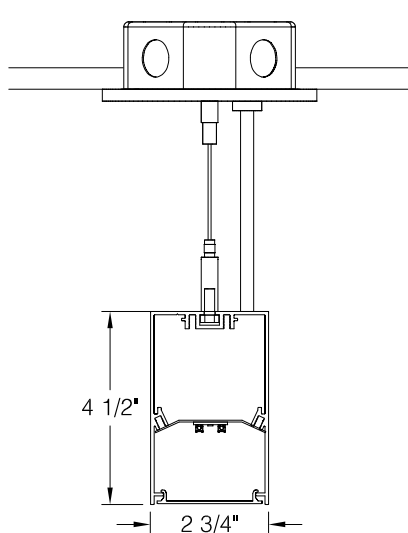
Cross Blade
w/acrylic overlay



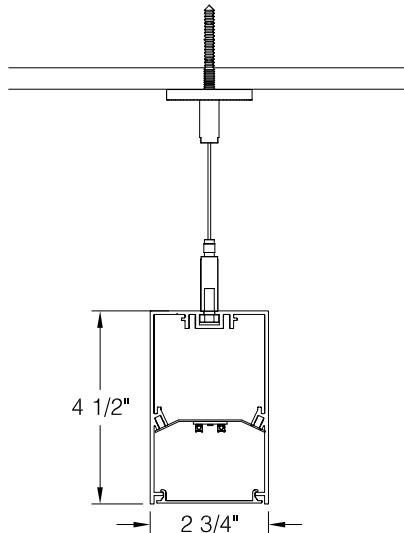
1" Drop Lens

Mounting

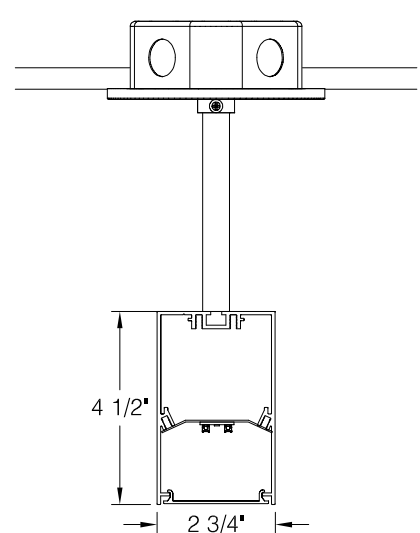
Standard suspension options include adjustable self-locking aircraft cables (AC) and rigid pendant stems (PD). AC assembly is 48" x 1/16" with a 5" feed canopy and 2" suspension canopies. 60" 18 gauge power and 22 gauge dimming control SJT feed. PD assemblies are 5/8" dia. (or 3/8" IP) hollow stem for power feed (by others); 24" is standard. Consult factory for longer suspension lengths and other mounting options.



AC
Feed Canopy 5"



AC
Non-Feed Canopy 2"



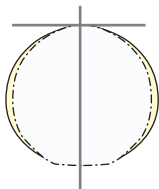
PD
5" Canopies Only

AC-PF = Replacement Power Feed w/cable Kit w/5" canopy.

AC-NF = Replacement Non/Feed Kit w/2" canopy.

Consult factory for custom lengths and either 5 or 6 wire power feeds.

Photometry



PRFL-24-D-FL-35-**LO**-4
Flush Lens

3500K CCT
WATTS: 20
LUMENS: 2007
LPW: 100

PRFL-24-D-FL-35-**SO**-4
Flush Lens

3500K CCT
WATTS: 27
LUMENS: 2677
LPW: 100

PRFL-24-D-FL-35-**HO**-4
Flush Lens

3500K CCT
WATTS: 33
LUMENS: 3340
LPW: 100

PRFL-24-D-FL-**S3D**-4
DLC V5.1 Standard

3500K CCT
WATTS: 27
LUMENS: 3200
LPW: 118

PRFL-24-D-**BK**-35-**SO**-4
Black Out Lens (BK)

3500K CCT
WATTS: 27
LUMENS: 125
LPW: 18

PRFL-24-D-FL-**S4D**-4
DLC V5.1 Standard

4000K CCT
WATTS: 27
LUMENS: 3200
LPW: 118

3500K @ 80CRI, 4', FL lens.

Use the following multipliers for other CCTs: 2700K x 0.96, 3000K x 0.98, 4000K x 1.02, 5000K x 1.03. IES files @ www.dayolite.com

Specifications

CONSTRUCTION: Extruded aluminum housing. 20 gauge cold rolled steel internal components.

REFLECTOR: Highly reflective baked white enamel with pre-finished reflective LED tray.

OPTICS: Opal acrylic Flush lens is standard). 1" acrylic Drop lens, Steel Cross Baffle with acrylic overlay, Asymmetrical, Batwing, Collimating and Black Out lenses available.

LED: Static white LED modules in 30/35/40 & 50K CCT, 80/90CRI. Lumen maintenance minimum $L_{70} = 50,000$ hours. 3 SDCM color consistency. BIOS SkyBlue, RGB, RGBW, RGBWW, Advanced Color, Tunable White and Dim-to-Warm options available; field replaceable.

DRIVER: Standard driver is Class 2 AOC 0-10V to 1%, Dim-to-Off available. 120/277V input, PF > 90%, THD < 20 @ 120V. DMX, DALI & Lutron protocols available. All drivers prewired for connection to control system (by others); field replaceable.

MOUNTING: Standard options include adjustable self-locking aircraft cables (AC), and rigid pendant stems (PD). AC assembly is 48" x 1/16" with a 5" feed canopy and 2" suspension canopies. 18 gauge power and 22 gauge dimming control SJT feed. May also be surface ceiling mounted.

FINISH: Housing and components finished in baked white enamel. Canopies and pendant stems are white enamel unless otherwise specified. 5" Feed canopy w/2" Suspension canopies.

CERTIFICATION: cETLus listed conforming to UL STD. 1598 and certified to CSA STD C22.2 NO. 250.0. Suitable for dry & damp locations. Union Made in the United States of America. I.B.E.W. RoHS and BAA compliant; contact factory for any BABAA requests . DLC V5.1 Standard Listed. Declare Red List Approved.

LEGAL: Day-O-Lite, a division of SCW Corporation. All rights reserved. The Day-O-Lite logo is a registered trademark of SCW Corporation. Day-O-Lite reserves the right to change specifications without notice for product improvement.

WEIGHT: 9 lbs. @ 4', 18 lbs. @ 8'

Rapid Ship Program

Rapid Ship products are estimated to ship 10 business days or less from the morning the order is received and confirmed. Linear rows will ship 10 business days or less from the day the layout drawings are approved. Orders confirmed and layouts approved after 12:00 p.m. Eastern Time are estimated to ship 10 days or less from the following business morning. All incoming orders must be clearly marked Rapid Ship. Please refer to complete program Terms & Conditions (page 4) for details and restrictions.

Rapid Ship options are limited to those highlighted in green on the Ordering Guide. 400' max individual or continuous row allowed. Consult factory for additional information.