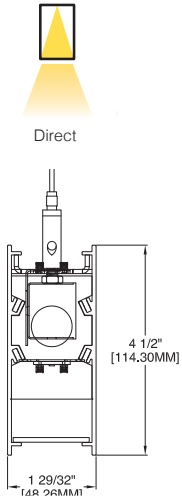


Date	Notes
Project	
Type Qty	



Features

Extruded aluminum housing w/welded end-plates.

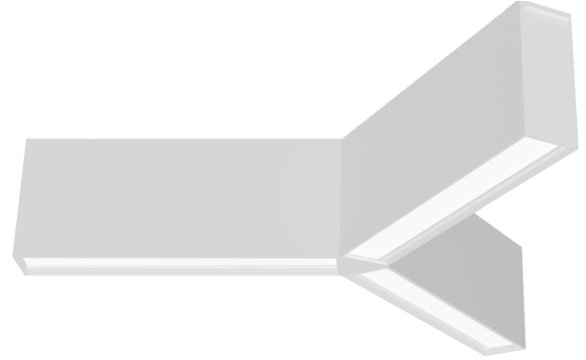
LED optimized optics for smooth illumination.

Parallel stainless aircraft cable suspension or 3-into-1 monopoint suspension.

High efficiency programmable driver for custom lumen packages. 0-10V dimming to 1% standard.

High efficacy LEDs in 80 or 90 CRI; tunable white and Bios SkyBlue circadian technology available.

See www.dayolite.com for Trilogy Acoustic Solutions.



Ordering Guide

MODEL	OPTICS	CCT	LUMENS ²	SIZE ³	MOUNTING ³	FINISH	OPTIONS ⁴
TRIL-14-D	SI						
TRIL-14-D Direct	SI = Satin Ice	27 = 2700K 80CRI 30 = 3000K 80CRI 35 = 3500K 80CRI 40 = 4000K 80CRI 50 = 5000K 80CRI 90 CRI add *9" Ex: 940 = 4000K @ 90 CRI	2' LUMENS LO = 1149 (16W, 73LPW) SO = 1605 21W, 77LPW) HO = 1916 (26W, 73LPW) 4' LUMENS LO = 2502 (32W, 79LPW) SO = 3333 (42W, 79LPW) HO = 4148 (53W, 78LPW) 6' LUMENS LO = 3684 (47W, 78LPW) SO = 5027 (63W, 79LPW) HO = 6175 (79W, 78LPW)	2 = 2' Dia. 4 = 4' Dia. 6 = 6' Dia. See size detail page 3.	STANDARD AC = Aircraft Cable (3) ACM = Aircraft Mono-Point (3-into-1) Consult factory for the follow- ing recessed mounting op- tions for plaster ceilings. F = Flanged TRL = Trimless	W = White CC = Custom Color AMW = Anti-Microbial White	DIMMING DRIVERS DIM10 = 0-10V (1.0%) - Standard DIMSR = 0-10V (5.0%) Sensor Ready DIMST = Step Dimming (40%/100%) DALI = DALI (5.0%) LUTRON™ DIMMING DRIVERS LDE1 = Hi-Lume™ 1% EcoSystem™ L3DA3W = Hi-Lume™ 1% 3-Wire LTEA2W = Hi-Lume 1% 2-Wire 120V SENSORS & CONTROLS ESN = Philips™ EasySense DAY = Daylight Harvesting OCC = Occupancy Sensor CAS = Casambi Bluetooth control VDO = Vive Sensor by Lutron EMERGENCY EMC = Emergency Circuit GTD = Generator Transfer Device EPC4 = 4W Emergency Battery Pack EPC7 = 7W Emergency Battery Pack EPC10 = 10W Emergency Battery Pack EPC12 = 12W Emergency Battery Pack Consult factory on Sensor, GTD and EPC options. Not all are integral to TRIL-14.

¹BIOS SkyBlue circadian technology available. Consult factory.

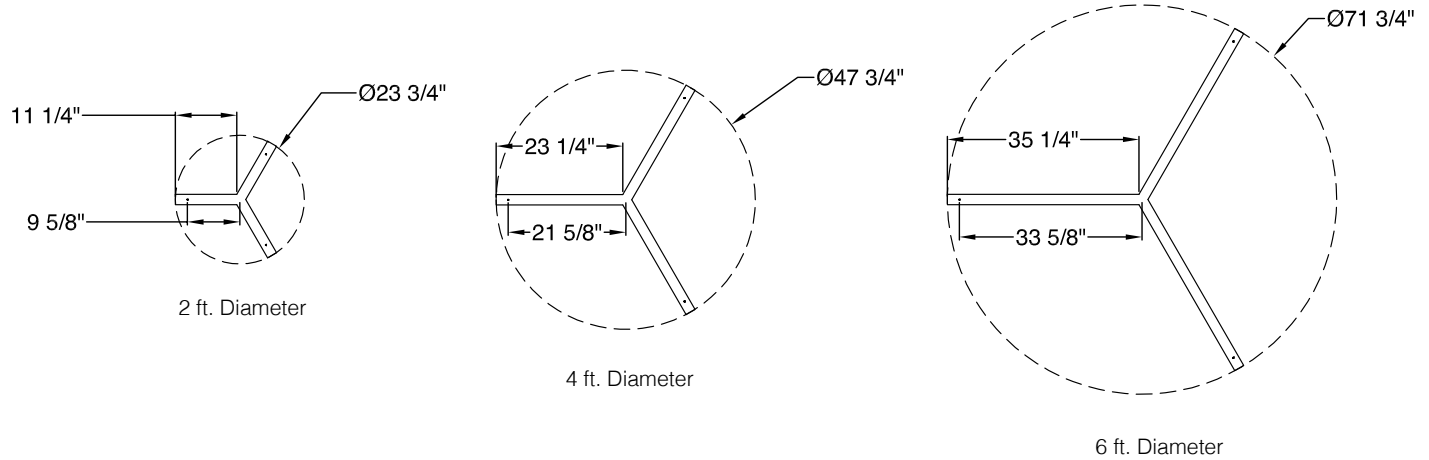
²Delivered Lumens are Standard Output (SO) and Low Output (LO) at 80+CRI 4000K CCT. Use the following multiplier to estimate delivered lumens at other CCTs: 2700K = 0.94, 3000K = 0.96, 3500K = 0.98, 5000K = 1.02. All values nominal. See page 2 for photometrics.

³See page 2 for actual fixture dimensions and suspension locations.

⁴Consult factory on Sensor, GTD and EPC options. Not all are integral to TRIL-14.



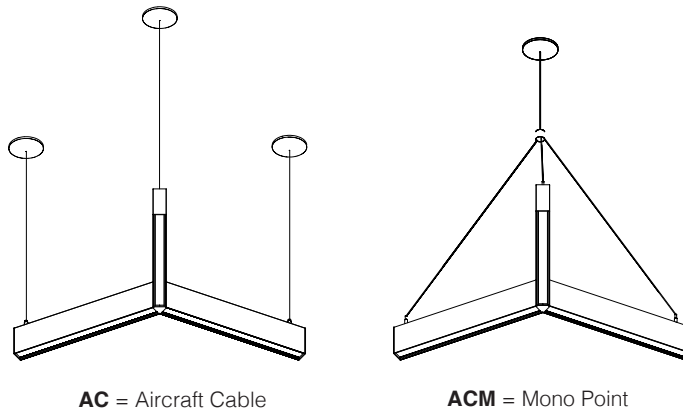
Sizes & Suspension Locations



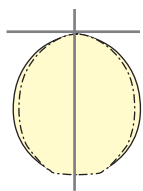
Standard Suspensions

Standard suspension options include adjustable self-locking aircraft cables (AC), and a 3-into-1 monopoint (ACM).

AC assembly is 48" x 1/16" with a 5" feed canopy and 2" suspension canopies. 60" 18 gauge power and 22 gauge dimming control SJT feed.



Photometry



TRIL-14-D-SI-4-2	TRIL-14-D-SI-40-4	TRIL-14-D-SI-40-6
LO 4000K CCT WATTS: 16 LUMENS: 1149 LPW: 73 Distribution: 100% Direct	LO 4000K CCT WATTS: 32 LUMENS: 2502 LPW: 79 Distribution: 100% Direct	LO 4000K CCT WATTS: 47 LUMENS: 3684 LPW: 78 Distribution: 100% Direct
SO 4000K CCT WATTS: 21 LUMENS: 1605 LPW: 77 Distribution: 100% Direct	SO 4000K CCT WATTS: 42 LUMENS: 3333 LPW: 79 Distribution: 100% Direct	SO 4000K CCT WATTS: 63 LUMENS: 5027 LPW: 79 Distribution: 100% Direct
HO 4000K CCT WATTS: 26 LUMENS: 1916 LPW: 73 Distribution: 100% Direct	HO 4000K CCT WATTS: 53 LUMENS: 4148 LPW: 78 Distribution: 100% Direct	HO 4000K CCT WATTS: 142 LUMENS: 6175 LPW: 78 Distribution: 100% Direct

Specifications

CONSTRUCTION Extruded aluminum housing. 20 gauge cold rolled steel internal components.

REFLECTOR Die-formed steel finished in highly reflective baked white enamel with pre-finished reflective LED tray.

OPTICS LED optimized, shatter resistant Diffuse Polycarbonate (DP) regressed lens.

LED LED modules in 30/35/40 & 50K CCT, 80/90CRI. Lumen maintenance minimum L_{70} = 50,000 hours. 3 SDCM color consistency.

DRIVER Standard driver is Class 2 AOC 0-10V to 1%, 120/277V input, PF > 90%, THD < 20 @ 120V. Additional dimming protocols available. All drivers prewired from factory for connection to control system (by others). Field replaceable.

MOUNTING Standard options include adjustable self-locking aircraft cables (AC) and a 3-into-1 aircraft cable monopoint (ACM). AC assembly is 48" x 1/16" with a 5" feed canopy and 2" suspension canopies. 18 gauge power and 22 gauge dimming control SJT feed. May also be surface ceiling mounted (S) or recessed in plaster ceilings (F = Flange, TRL = Trimless). Consult factory for recessed options.

FINISH Housing and components finished in baked white enamel. Canopies and pendant stems are white enamel unless otherwise specified.

CERTIFICATION Luminaires are cETLus listed conforming to UL STD. 1598 and certified to CSA STD C22.2 NO. 250.0. Suitable for dry & damp locations. Union Made in the United States of America. I.B.E.W. RoHS compliant.