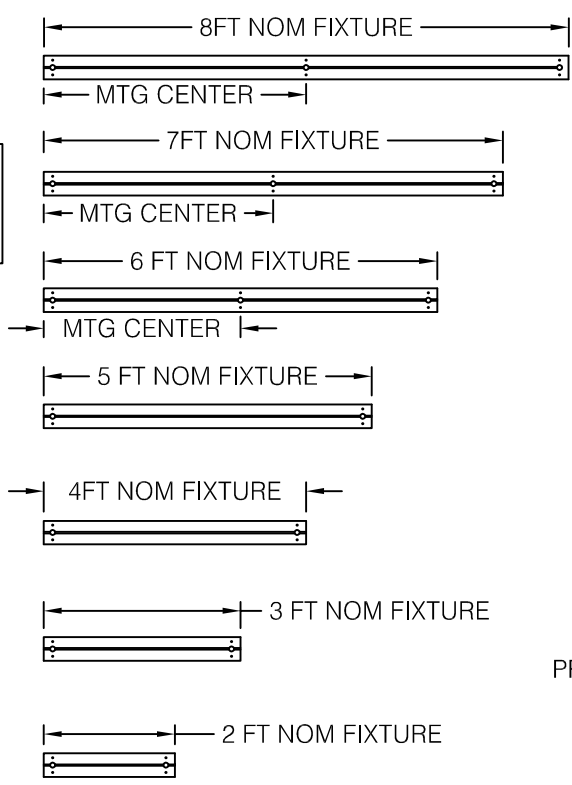
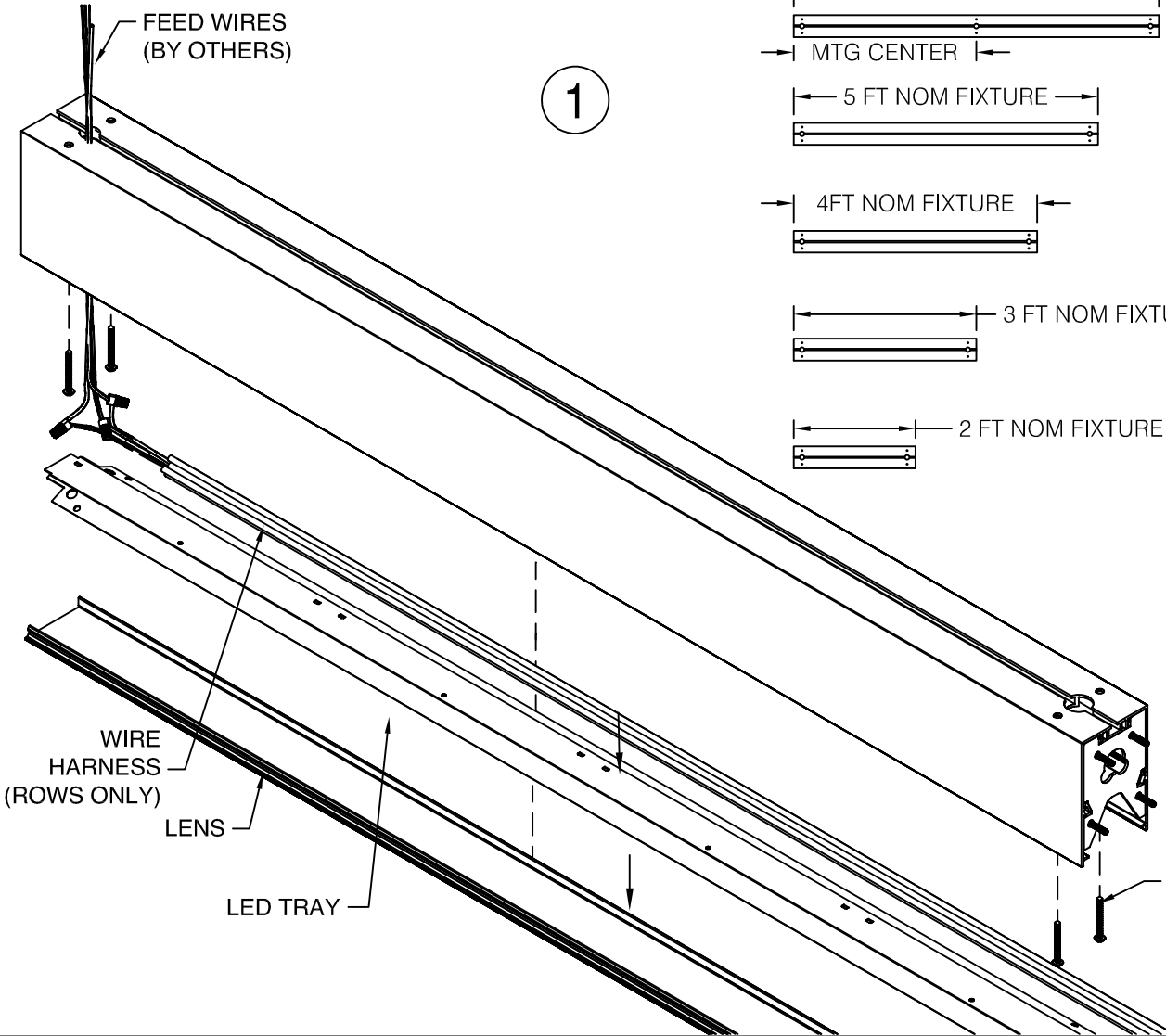


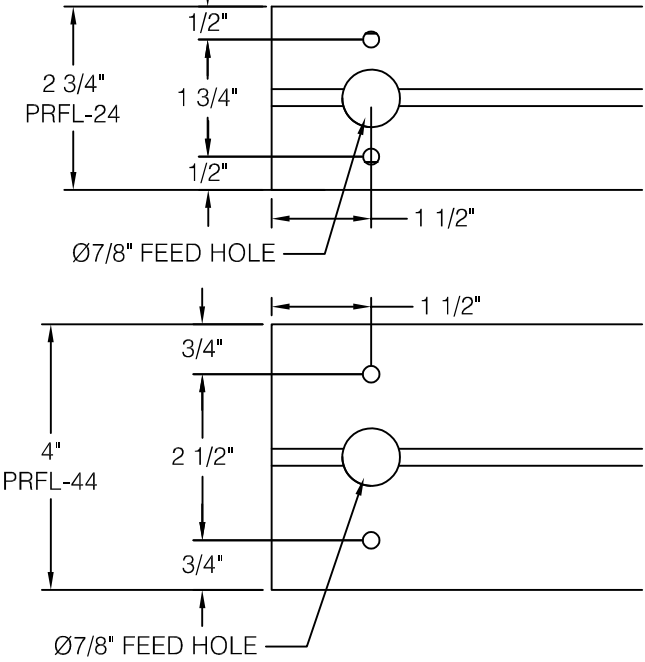
# PRFL 24/44-D SURFACE MOUNT INSTRUCTIONS

**RISK OF ELECTRICAL SHOCK. DISCONNECT POWER BEFORE INSTALLATION OR SERVICING.**

**TO BE INSTALLED BY A QUALIFIED ELECTRICIAN IN ACCORDANCE TO LOCAL & NATIONAL ELECTRIC CODES.**



**MOUNTING POINT LOCATIONS**  
 FEED LOCATION IS TYPICALLY ON END LEFT FIXTURES  
 REVIEW SHOP DRAWINGS TO VERIFY POWER FEED LOCATION




1. DETERMINE LOCATION OF POWER FEED HOLE AND REMOVE LENS AND TRAY FROM FIXTURE WITH POWER FEED HOLE.
2. INSTALL POWER FEED
  - FEED POWER FEED WIRES THROUGH HOLE IN FIXTURE.
  - USE APPROPRIATE STRAIN RELIEF TO SECURE CORD IN FIXTURE AS REQUIRED BY LOCAL ELECTRICAL CODES (BY OTHERS).
  - CUT END FROM HARNESS AND CONNECT POWER FEED CONDUCTORS TO APPROPRIATE WIRES OF WIRE HARNESS. REFER TO JOB DRAWINGS FOR WIRE FEED DESIGNATIONS. ---STANDARD WIRING SHOWN ABOVE---
3. MOUNT FIXTURE TO CEILING USING APPROPRIATE MOUNTING HARDWARE (BY OTHERS)
4. RE-INSTALL FIXTURE TRAY AND LENS


**NOTE:** PRFL-24 SHOWN. OTHER SIZES ARE SIMILAR INSTALLATION. REFERENCE SHOP DRAWINGS FOR CRITICAL MOUNTING DIMENSIONS.

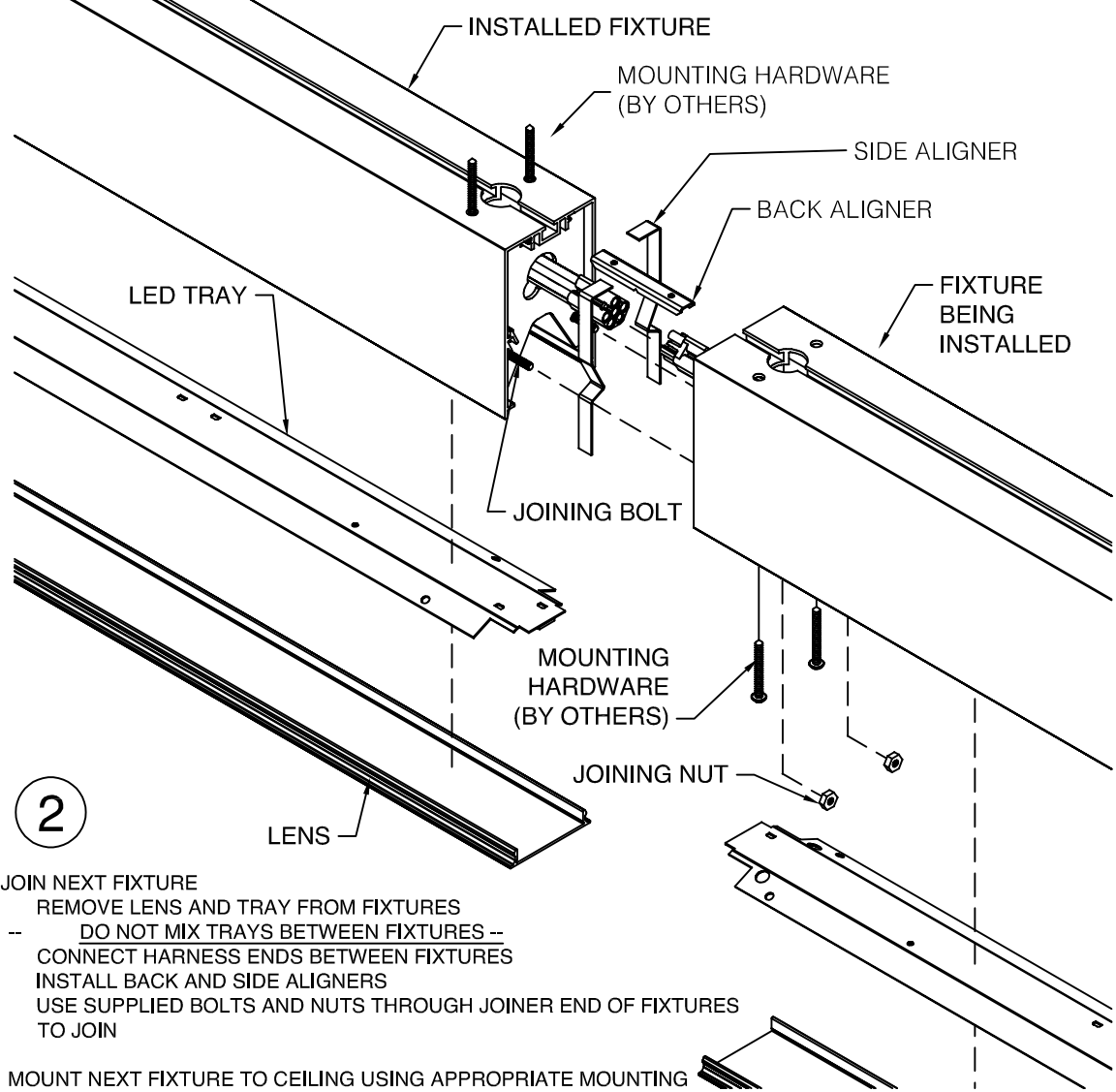
**IMPORTANT:** THE NATIONAL ELECTRIC CODE REQUIRES THAT ANY FIXTURE IN EXCESS OF 50 POUNDS MUST BE INDEPENDENTLY SUPPORTED OF THE OUTLET BOX. DAY-O-LITE IS NOT RESPONSIBLE FOR INADEQUATE REINFORCEMENT OF STRUCTURAL SUPPORT SYSTEMS. BE SURE TO UNDERSTAND ALL PROCEDURES PRIOR TO INSTALLATION. ROW CONFIGURATIONS ARE JOB SPECIFIC, CONSULT SHOP DRAWINGS BEFORE CONSTRUCTING ROWS. DAY-O-LITE RESERVES THE RIGHT TO MAKE ANY MECHANICAL OR MATERIAL CHANGES TO THE FIXTURES WHICH DO NOT AFFECT THE APPEARANCE OR PERFORMANCE. THIS PRINT IS THE PROPERTY OF DAY-O-LITE AND THE INFORMATION IT CONTAINS MAY NOT BE USED WITHOUT WRITTEN CONSENT OF DAY-O-LITE.

|   |                       |  |
|---|-----------------------|--|
| MODEL NO.:<br>PRFL-24/44-D-S  | PAGE:<br>SHEET 1 OF 2 | PART NUMBER:<br><b>970029A0</b>              |
| CONTACT INFORMATION:<br>126 Chestnut Street, Warwick, RI 02888<br>Tel. (401) 467-8232   Fax. (401) 941-2960<br>E-mail: sales@dayolite.com<br>WWW: http://www.dayolite.com |                       | ISSUED ON:<br>10/22/19                       |
|   |                       | <b>DAY-O-LITE</b><br>Lighting Without Limits |

# PRFL 24/44-D SURFACE MOUNT INSTRUCTIONS

 RISK OF ELECTRICAL SHOCK. DISCONNECT POWER BEFORE INSTALLATION OR SERVICING.

 TO BE INSTALLED BY A QUALIFIED ELECTRICIAN IN ACCORDANCE TO LOCAL & NATIONAL ELECTRIC CODES.

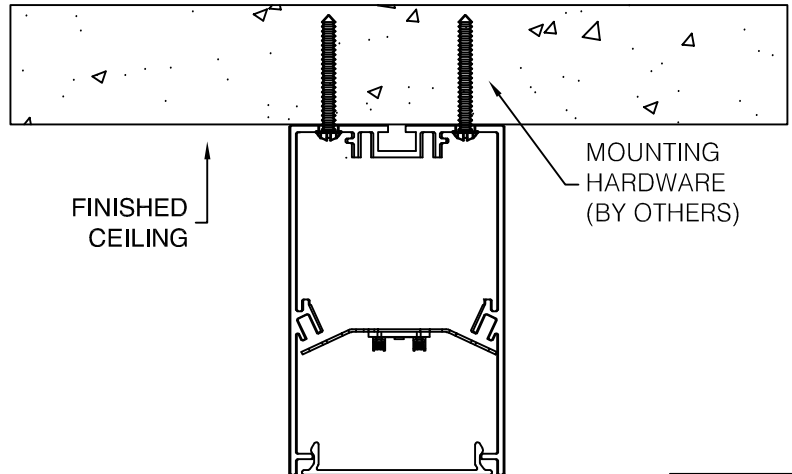
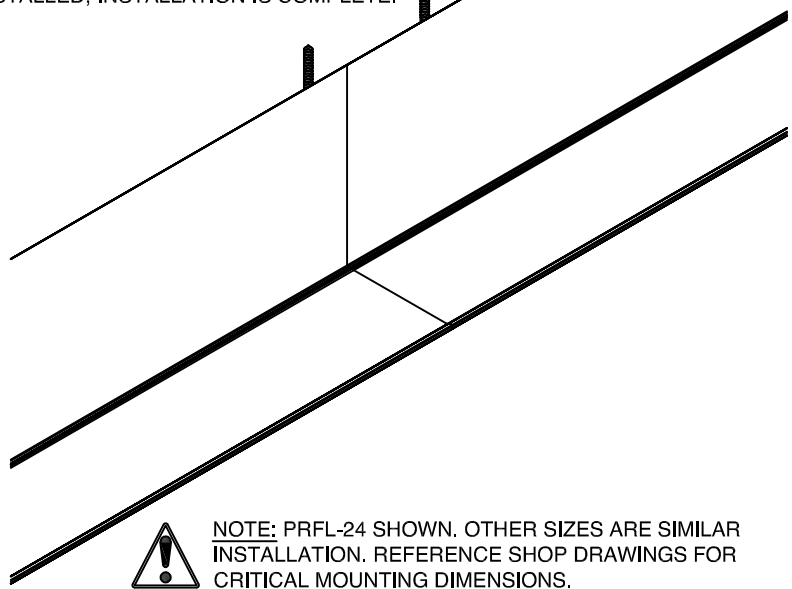


2

1. JOIN NEXT FIXTURE
  - REMOVE LENS AND TRAY FROM FIXTURES
  - DO NOT MIX TRAYS BETWEEN FIXTURES --
  - CONNECT HARNESS ENDS BETWEEN FIXTURES
  - INSTALL BACK AND SIDE ALIGNERS
  - USE SUPPLIED BOLTS AND NUTS THROUGH JOINER END OF FIXTURES TO JOIN
2. MOUNT NEXT FIXTURE TO CEILING USING APPROPRIATE MOUNTING HARDWARE (BY OTHERS)
3. CONTINUE MOUNTING AND JOINING FIXTURES UNTIL ROW IS COMPLETE.
4. RE-INSTALL FIXTURE TRAYS AND LENSES

3

1. AFTER ALL FIXTURES IN A ROW ARE INSTALLED, INSTALLATION IS COMPLETE.



**IMPORTANT:** THE NATIONAL ELECTRIC CODE REQUIRES THAT ANY FIXTURE IN EXCESS OF 50 POUNDS MUST BE INDEPENDENTLY SUPPORTED OF THE OUTLET BOX. DAY-O-LITE IS NOT RESPONSIBLE FOR INADEQUATE REINFORCEMENT OF STRUCTURAL SUPPORT SYSTEMS. BE SURE TO UNDERSTAND ALL PROCEDURES PRIOR TO INSTALLATION. ROW CONFIGURATIONS ARE JOB SPECIFIC, CONSULT SHOP DRAWINGS BEFORE CONSTRUCTING ROWS. DAY-O-LITE RESERVES THE RIGHT TO MAKE ANY MECHANICAL OR MATERIAL CHANGES TO THE FIXTURES WHICH DO NOT AFFECT THE APPEARANCE OR PERFORMANCE. THIS PRINT IS THE PROPERTY OF DAY-O-LITE AND THE INFORMATION IT CONTAINS MAY NOT BE USED WITHOUT WRITTEN CONSENT OF DAY-O-LITE.

MODEL NO.:  
PRFL-24/44-D-S

CONTACT INFORMATION:  
126 Chestnut Street, Warwick, RI 02888  
Tel. (401) 467-8232 | Fax. (401) 941-2960  
E-mail: sales@dayolite.com  
WWW: http://www.dayolite.com

PAGE:  
SHEET 2 OF 2

PART NUMBER:  
**970029A0**

ISSUED ON:  
10/22/19

