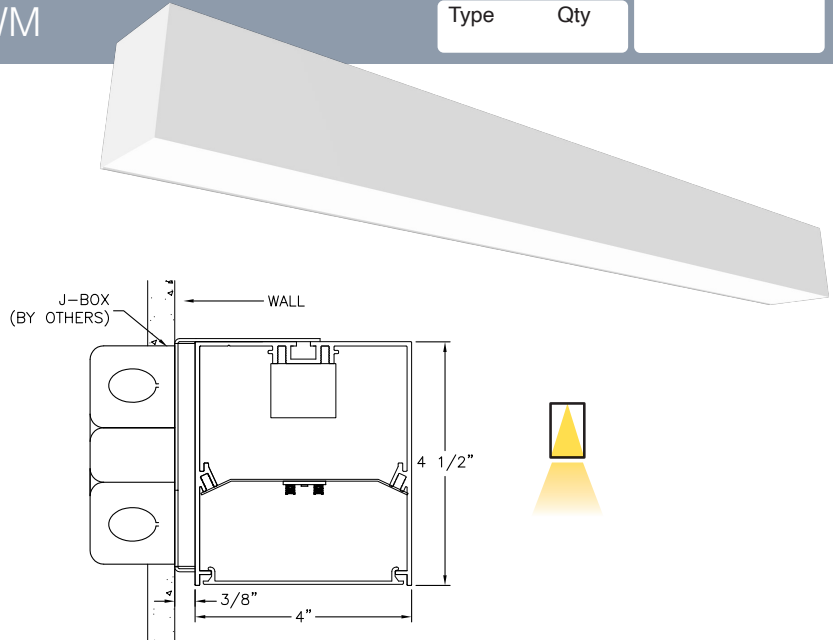


Date	Notes
Project	
Type	Qty

### Features

- Extruded aluminum housing w/flat or round end caps.
- LED optimized optics for smooth, efficient illumination.
- Individual fixtures, continuous rows or custom patterns.
- Programmable driver for custom lumen packages.
- 0-10V dimming to 1% standard. Dim-to-off available.
- DMX, Lutron and DALI protocols also available.
- Sensor Ready for wireless Smart Lighting Solutions.
- 80/90CRI, Tunable White, RGBW & RGBWW.
- Advanced Color (RGBW) w/pixel control to 5".
- Bios SkyBlue™ circadian solutions available.
- DLC** V5.1 Standard Listed up to 118 LPW.
- Declare** Red List Approved.



### Ordering Guide



MODEL	OPTICS	LED <sup>1</sup>	LUMENS <sup>2</sup>	LENGTH	MOUNTING <sup>4</sup>	FINISH	OPTIONS
<b>PRFL-44-D</b>					<b>WM</b>		
<b>PRFL-44-D</b> Direct	<b>STANDARD</b> <b>FL</b> = Flush Opal Acrylic (snap-in)  <b>OPTIONAL</b> <b>DL</b> = 1" Drop Opal Acrylic (snap-in)  <b>SCB</b> = Cross Baffle w/acrylic overlay  <b>LIGHT SHAPING</b> (semi-diffuse)  <b>AS</b> = Asymmetric (lay-in)  <b>CM</b> = Collimating (lay-in)  <b>BW</b> = Batwing (lay-in)  <b>BLACK OUT LENS</b> <b>BK</b> = Black Out Lens (20LPW maximum)	<b>STATIC WHITE</b> <b>27</b> = 2700K <b>30</b> = 3000K <b>35</b> = 3500K <b>40</b> = 4000K <b>50</b> = 5000K  <b>BIOS SkyBlue<sup>2</sup></b> Spectrally optimized circadian solutions.  <b>TUNABLE WHITE<sup>3</sup></b> (2700K-6500K) <b>2DIM10</b> = for 0-10V <b>2DMX</b> = for DMX <b>2PSQ</b> = for Lutron <b>2ESN</b> = for Philips <b>2CAS</b> = for Casambi  <b>RGB + WHITE<sup>3</sup></b> <b>RGB</b> = RGB <b>RGBW</b> = RGBW  <b>ADVANCED COLOR<sup>3</sup></b> 125mm incremental pixel color control for chases and animated effects.	<b>STANDARD</b> <b>LO</b> = 574/ft (5W/ft, 115LPW)  <b>SO</b> = 765/ft (7W/ft, 115LPW)  <b>HO</b> = 956/ft (8W/ft, 115LPW)  <b>CUSTOM</b> Specify < HO.  <b>DLC LUMENS<sup>3</sup></b> @3500K <b>S3D</b> = 800/ft (6W/ft, 118LPW)  @4000K <b>S4D</b> = 800/ft (6W/ft, 118LPW)	<b>2</b> = 2 ft <b>3</b> = 3 ft <b>4</b> = 4 ft <b>5</b> = 5 ft <b>6</b> = 6 ft <b>7</b> = 7 ft <b>8</b> = 8 ft  For other enter row length (e.g. 48 = 48 ft)	<b>WM</b> = Wall Mount	<b>W</b> = White  <b>CC</b> = Custom Color  <b>AMW</b> = Anti Microbial White	<b>DIMMING DRIVERS</b> <b>DIM10</b> = 0-10V (1%) - <b>Standard</b> <b>DTO</b> = 0-10V (Dim-to-Off) <b>DIMST</b> = 0-10V Step Dimming 347 = 0-10V (347V) <b>DIMSR</b> = DALI Sensor Ready (5.0%) <b>DALI</b> = DALI (5.0%) <b>DMX</b> = DMX  <b>LUTRON™ DIMMING DRIVERS</b> <b>LDE1</b> = Hi-Lume 1% EcoSystem <b>LD2</b> = Digital 1% (DALI-2) <b>L3DA3W</b> = Hi-Lume 1% 3-Wire  <b>SENSORS &amp; CONTROLS<sup>5</sup></b> <b>AVO</b> = Avi-On Sensor <b>AWNS</b> = Lutron Athena Sensor <b>ESN</b> = EasySense Sensor <b>CAS</b> = Casambi Wireless Control  <b>EMERGENCY<sup>6</sup></b> <b>EMC</b> = Emergency Circuit <b>GTD</b> = Generator Transfer Device <b>EPC4</b> = 4W Emergency Battery <b>EPC6</b> = 6.5W Emergency Battery <b>EPC10</b> = 10W Emergency Battery <b>EPC12</b> = 12W Emergency Battery  <b>WIRING &amp; OTHER</b> <b>EMC</b> = Emergency Circuit <b>GTD</b> = Generator Transfer Device <b>FWH</b> = Flexible Wiring Harness <b>DWH</b> = DMX Wiring Harness

<sup>1</sup>All LED, BIOS, Tunable White, DTW, and RGB/W options and Ordering Codes page 2.

<sup>2</sup>Lumens at 80CRI, 3500K, FL lens. Photometry page 5.

<sup>3</sup>DLC options are limited to FL optics, static white 35/40K CCT @ 80CRI, SO lumens, all mounting, all finishes, and all options excluding DIMST.

<sup>4</sup>See page 5 for mounting option details.

<sup>5</sup>All Sensor & Control options page 2.

<sup>6</sup>EPC6 is standard unless otherwise specified. EPC not for DMX drivers.

**BAA** letter of compliance available at [www.dayolite.com](http://www.dayolite.com).

## LED, BIOS, Sensor &amp; Control Ordering Codes

## LED

**Static White**

30 = 3000K 80 CRI  
 35 = 3500K 80 CRI  
 40 = 4000K 80 CRI  
 50 = 5000K 80 CRI

927 = 2700K 90 CRI  
 930 = 3000K 90 CRI  
 935 = 3500K 90 CRI  
 940 = 4000K 90 CRI

**Tunable White<sup>1</sup>**  
(2700K-6500K)

2DIM10 = 0-10V 80 CRI  
 2DMX = DMX 80 CRI  
 2CAS = Casambi Wireless 80 CRI  
 2ESN = Philips EasySense 80 CRI  
 2LUT = Lutron (LD2) 80 CRI

92DIM10 = 0-10V 90 CRI  
 92DMX = DMX 90 CRI  
 92CAS = Casambi Wireless 90 CRI  
 92ESN = Philips EasySense 90 CRI  
 92LUT = Lutron (LD2) 90 CRI

**Dim-to-Warm<sup>2</sup>**

DTW = 6500K-2700K 80 CRI  
 9DTW = 6500K-2700K 90 CRI

**RGB/W<sup>3</sup>**

RGB = RGB only  
 RGB27 = RGB w/2700K  
 RGB30 = RGB w/3000K  
 RGB35 = RGB W/3500K  
 RGB40 = RGB w/4000K  
 RGB50 = RGB w/5000K  
 RGBWW = RGB w/2700K-6500K

**Single Color<sup>4</sup>**

RED = Red  
 BLU = Blue  
 GRN = Green  
 AMB = Amber

**Advanced Color<sup>5</sup>**

Advanced Color options combine RGB or RGBW with multi-pixel control for advanced chases, animated visual effects and other programmable scenes with 125mm pixel granularity.

ACRGB = RGB only  
 AC27 = RGB w/2700K  
 AC30 = RGB w/3000K  
 AC40 = RGB w/4000K

## BIOS SkyBlue

BIOS SkyBlue biological technology brings the benefits of blue skies inside. BIOS SkyBlue is the only spectrally optimized circadian solution to target the region that drives wellness benefits including: increased alertness, enhanced productivity, better mood, and better sleep. More information may be found at [www.bioslighting.com](http://www.bioslighting.com) or by contacting Day-O-Lite directly. All options for 0-10V control.

**BIOS Biological Static**

For daytime applications. BIOS Static Biological LED features key BIOS SkyBlue (490nm) for maximum daytime circadian impact.

B30 = 3000K  
 B35 = 3500K  
 B40 = 4000K

**BIOS Biological Dynamic White**

Designed to transition from daytime to evening in a dim-to-warm protocol. The daytime CCT includes full BIOS SkyBlue (490nm) for maximum daytime circadian impact, while the evening spectrum removes BIOS SkyBlue for minimal circadian stimulus after hours.

B30D = 3000K-2700K  
 B35D = 3500K-3000K  
 B40D = 4000K-3500K

**BIOS Biological Tunable White**

Designed to transition from daytime to evening in a tunable white protocol. The daytime CCT includes full BIOS SkyBlue (490nm) for maximum daytime circadian impact, while the evening spectrum removes BIOS SkyBlue for minimal circadian stimulus after hours.

B30T = 3000K-2700K  
 B35T = 3500K-2700K  
 B40T = 4000K-2700K

## Sensors &amp; Controls

**Sensors\***

AVO = Avi-On Occ/Day  
 AVM = Avi-On Occ (Microwave)  
 BNV = BubblyNet Occ/Day  
 ENC = Encelium Occ/Day  
 ENL = EnLighted Occ/Day/Temp  
 LEG = Legrand Occ/Day  
 ANW = Lutron Athena Occ/Day  
 VIVE = Lutron Vive Occ/Day  
 NLT = Acuity nLight Occ/Day  
 NXC = Current NX Occ/Day  
 ESN = Philips EasySense Occ/Day  
 WWL = Cooper WaveLinx Occ/Day

**Wireless Control\***

CAS = Casambi

\*Sensors and control options to be commissioned wirelessly in the field by qualified controls personnel with applicable apps.

<sup>1</sup>Tunable white may be controlled by a number of dimming protocols as shown.

<sup>2</sup>Dim-to-Warm mimics incandescent dimming by warming the CCT from 6500K to 2700K as light levels are dimmed.

<sup>3</sup>All RGB, RGBW and RGBWW options for DMX control (by others). 80 CRI standard.

<sup>4</sup>Single colors are constant voltage LEDs. Dimming requires ELV controller (by others).

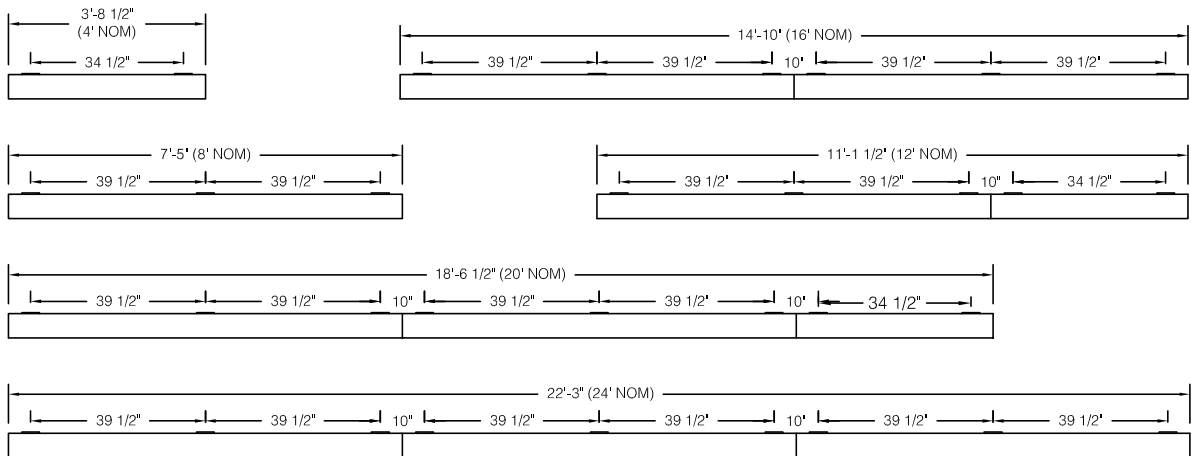
<sup>5</sup>White limited to 100L/ft.

## Individual Fixtures & Continuous Rows

NOMINAL LENGTH	ACTUAL LENGTH	WALL BRKTS.
4'	44 1/2"	2
8'	89"	3
12'	133 1/2"	5
16'	178"	8
20'	222 1/2"	8
24'	267"	9

Individual fixtures and rows are continuously illuminated and joined with included aligner brackets and hardware. Power feed locations and mounting locations are shown below.

Continuous rows longer than 8' and patterns, including EPC/EMC and sensor locations must be approved prior to manufacturing.

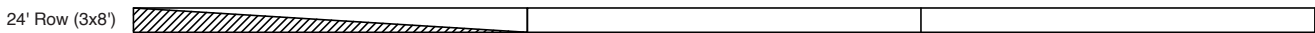


## Emergency & Sensor Locations

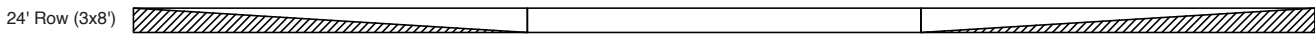
EPC will control entire length of individual fixtures. Individual fixtures of differing lengths will deliver the same lumens under EPC power (a 4' fixture will deliver the same total lumens over half the length of an 8' fixture). EMC controlled individual fixtures will deliver lumens per foot as originally specified, unless dimmed at time of power loss. Consult factory for EMC dimming override device.



For individual fixtures to 8' EPC/EMC will power entire fixture.



For continuous rows longer than 8' one EPC/EMC will be located in the feed section (end-left) of the row as shown below.



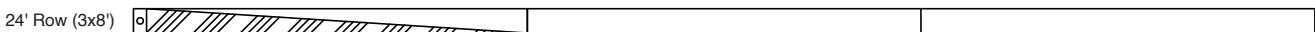
If two EPC/EMC's are required their default locations will be in the feed section (end-left) and last section (end-right) as below.



Custom placement of one or more EPC/EMC's must be clearly identified during ordering.

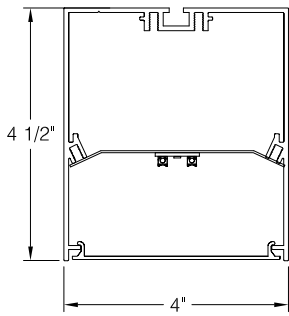


SENSORS (Integral) for individual fixtures will control entire length of fixture and will be located on feed end of fixture.

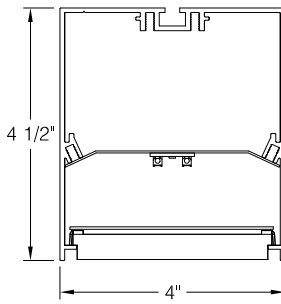


SENSORS for rows by default will control the feed section (end-left) of the row. Sensors can control more than an 8' section within a row. Consult factory for sensor/section options, or for multiple sensors in a continuous row.

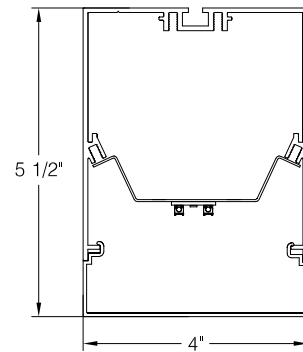
### Optics



**FL**  
Flush Lens



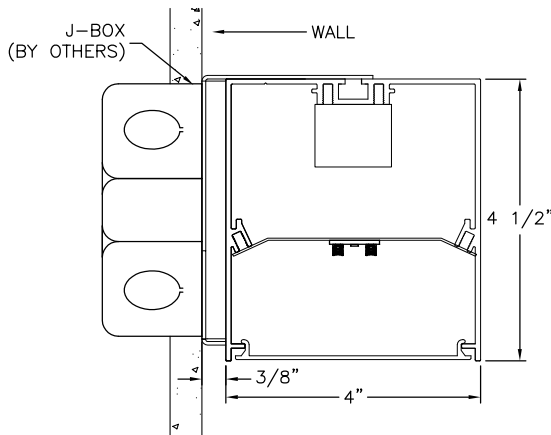
**SCB**  
Cross Blade  
w/acrylic overlay



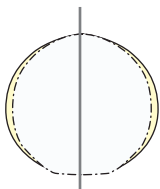
**DL**  
1" Drop Lens

### Mounting

Standard installation is wall mount with included mounting brackets and hardware. Requires single-gang j-box (by others).



### Photometry



PRFL-44-D-FL-35-**LO**-4  
Flush Lens

3500K CCT  
WATTS: 20  
LUMENS: 2296  
LPW: 115

PRFL-44-D-FL-35-**SO**-4  
Flush Lens

3500K CCT  
WATTS: 27  
LUMENS: 3060  
LPW: 115

PRFL-44-D-**BK**-35-**SO**-4  
Black Out Lens (BK)

3500K CCT  
WATTS: 27  
LUMENS: 125  
LPW: 18

PRFL-44-D-FL-35-**HO**-4  
Flush Lens

3500K CCT  
WATTS: 33  
LUMENS: 3823  
LPW: 115

PRFL-44-D-FL-**S3D**-4  
DLC V5.1 Standard

3500K CCT  
WATTS: 27  
LUMENS: 3200  
LPW: 118

PRFL-44-D-FL-**S4D**-4  
DLC V5.1 Standard

4000K CCT  
WATTS: 27  
LUMENS: 3200  
LPW: 118

3500K @ 80CRI, FL lens.

Use the following multipliers for other CCTs: 2700K x 0.96, 3000K x 0.98, 4000K x 1.02, 5000K x 1.03. IES files @ [www.dayolite.com](http://www.dayolite.com)

## Specifications

**CONSTRUCTION:** Extruded aluminum housing. 20 gauge cold rolled steel internal components.

**REFLECTOR:** Die-formed steel finished in highly reflective baked white enamel with pre-finished reflective LED tray.

**OPTICS:** Options include opal acrylic Flush lens, 1" acrylic, Drop lens, Steel Cross Baffle with acrylic overlay, Batwing, Asymmetrical and Collimating lenses available.

**LED:** Static white LED modules in 27/30/35/40 & 50K CCT, 80/90CRI. Lumen maintenance minimum  $L_{70}$  = 50,000 hours. 3 SDCM color consistency. BIOS SkyBlue, RGB, RGBW and Tunable White and Advanced Color options available.

**DRIVER:** Standard driver is Class 2 AOC 0-10V to 1%, 120/277V input, PF > 90%, THD < 20 @ 120V. Additional dimming protocols available. All drivers prewired from factory for connection to control system (by others). Field replaceable.

**MOUNTING:** Installation is wall mount with included mounting brackets and hardware. Requires single-gang j-box supplied by others.

**FINISH:** Housing and components finished in baked white enamel.

**CERTIFICATION:** Luminaires are cETLus listed conforming to UL STD. 1598 and certified to CSA STD C22.2 NO. 250.0. Suitable for dry & damp locations. Union Made in the United States of America. I.B.E.W., BAA and DLC V5.1 listed. A Declare Red List Approved product.

**LEGAL:** Day-O-Lite, a division of SCW Corporation. All rights reserved. The Day-O-Lite logo is a registered trademark of SCW Corporation. Day-O-Lite reserves the right to change specifications without notice for product improvement.

---

## RS Rapid Ship Program

Rapid Ship products are estimated to ship 10 business days or less from the morning the order is received and confirmed. Linear rows will ship 10 business days or less from the day the layout drawings are approved. Orders confirmed and layouts approved after 12:00 p.m. Eastern Time are estimated to ship 10 days or less from the following business morning. Please refer to complete program Terms & Conditions at [www.dayolite.com](http://www.dayolite.com).

Rapid Ship options are limited to those highlighted in **blue** on the Ordering Guide. 400' max individual or continuous row allowed. Consult factory for additional information.