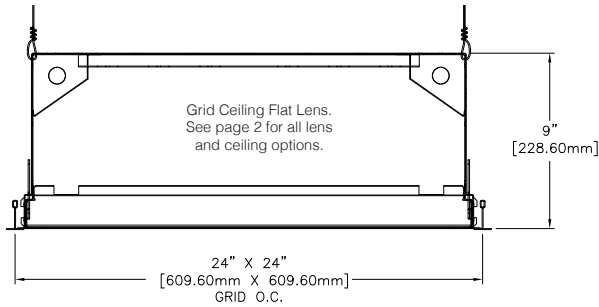




# New Age Series | NASL-RND-2

Date		Notes
Project		
Type	Qty	



## Features

- Steel housing with flat, convex or concave lens options.
- LED optimized optics for smooth even illumination without glare.
- Installation in a wide variety of suspended grid and plaster/drywall ceilings.
- High efficiency driver for custom lumen packages. 0-10V dimming to 1% standard.
- High efficacy LEDs in 80 or 90 CRI; two or three channel tunable white; tunable color.
- Tamper Resistant options available for vandal prone areas.



## Ordering Guide

MODEL	OPTICS	CCT <sup>1</sup>	LUMENS <sup>2</sup>	DIAMETER	MOUNTING <sup>3</sup>	FINISH	OPTIONS
<b>NASL-RND-D</b>				<b>2</b>			
NASL-RND-D Direct	SI = Satin Ice Acrylic (Flat)  CX = Convex (white opal acrylic)  CC = Concave (white opal acrylic)	27 = 2700K 80CRI 30 = 3000K 80CRI 35 = 3500K 80CRI 40 = 4000K 80CRI 50 = 5000K 80CRI  90 CRI add "9" Ex: 940 = 4000K @ 90 CRI	<b>GRID CEILINGS</b> LO = 2475 (32W, 70LPW)  SO = 3300 (42W, 70LPW)  HO = 4100 (53W, 70LPW)  <b>DRYWALL CEILINGS (Flange, Trimless)</b>  LO = 3150 (42W, 75LPW)  SO = 4200 (56W, 75LPW)  HO = 5200 (70W, 74LPW)  Consult factory for additional lumen packages.  All values nominal.	2 = 2'	G = Grid MG = Mini Grid SG = Slot Grid F = Flanged  See all mounting options page 2.  Add "T" to above codes for tamper resistant installation. See details page 2.	W = White CC = Custom Color AMW = Anti-Microbial White	<b>DIMMING DRIVERS</b> DIM10 = 0-10V (1.0%) - Standard DIMSR = 0-10V (5.0%) Sensor Ready DIMST = Step Dimming (40%/100%) DALI = DALI (5.0%)  <b>LUTRON™ DIMMING DRIVERS</b> LDE1 = Hi-Lume™ 1% EcoSystem™ LDE5 = 5-Series 5% EcoSystem™ L3DA3W = Hi-Lume™ 1% 3-Wire LTEA2W = Hi-Lume 1% 2-Wire 120V  <b>SENSORS &amp; CONTROLS</b> ESN = Philips EasySense DAY = Daylight Harvesting OCC = Occupancy Sensor CAS = Casambi Bluetooth control VDO = Vive Sensor by Lutron  <b>EMERGENCY</b> EMC = Emergency Circuit GTD = Generator Transfer Device EPC4 = 4W Emergency Battery Pack EPC7 = 7W Emergency Battery Pack EPC10 = 10W Emergency Battery Pack EPC12 = 12W Emergency Battery Pack
	<b>TUNABLE WHITE &amp; COLOR<sup>1</sup></b> <u>2-Channel White</u> 2DIM10 = for 0-10V 2DALI = for DALI 2DMX = for DMX 2PSQ = for Lutron 2SNS = for Signify 2CAS = for Casambi  <u>3-Channel White</u> 3DLM = for DLM  <u>3-Channel Color</u> RGB  <u>4-Channel Color/White</u> RGBW  <u>5-Channel Color/Warm White/Cool White</u> RGBWW						

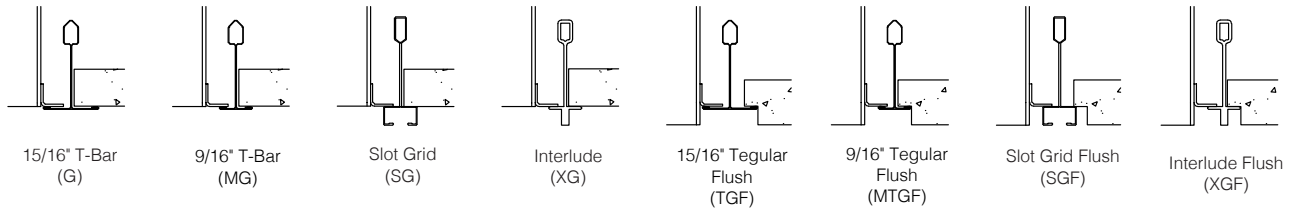
<sup>1</sup>Tunable white, tunable color options detailed on page 5.

<sup>2</sup>Delivered lumens at 80+CRI 4000K CCT. Use the following multiplier to estimate delivered lumens at other CCTs: 700K = 0.94, 3000K = 0.96, 3500K = 0.98, 5000K = 1.02. All values nominal.

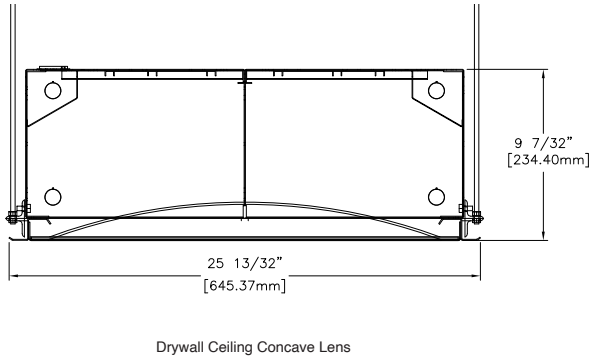
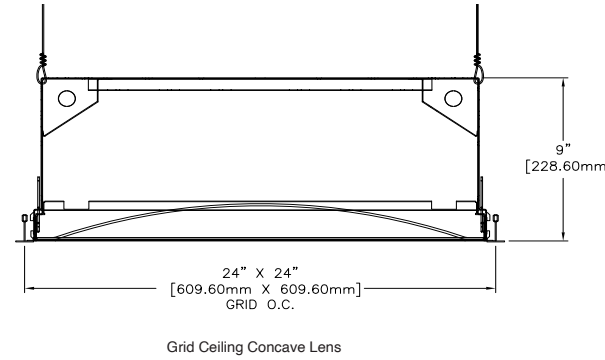
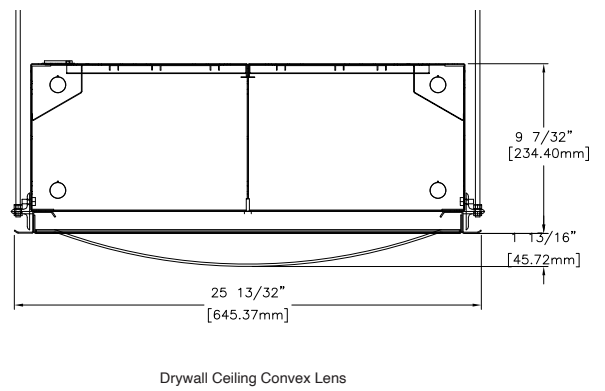
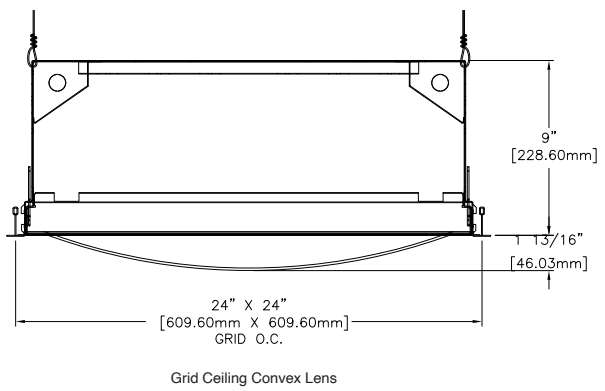
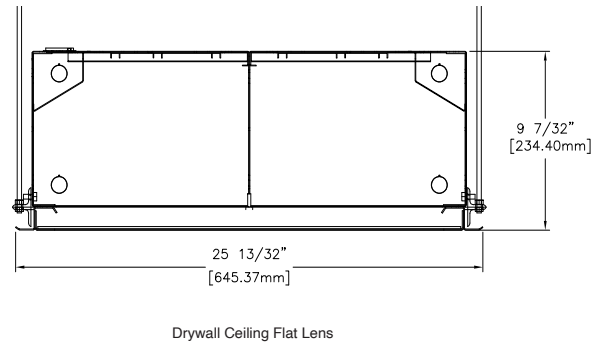
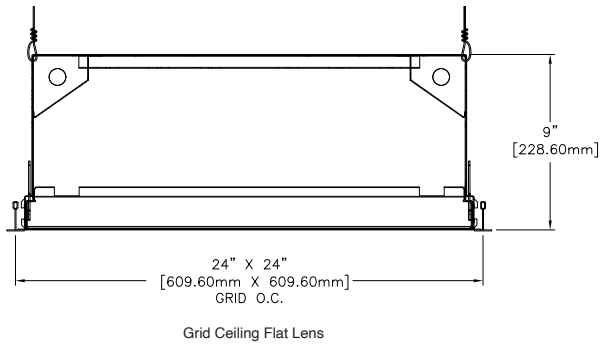
<sup>3</sup>See page 2 for ceiling mounting options. Page 4 for full specifications.



### Mounting Options



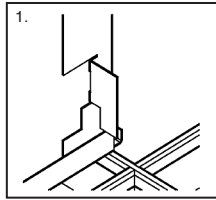
### Housing and Lens Details



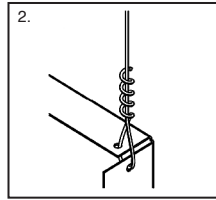
### Grid Ceiling

Five-step universal Installation sequence.

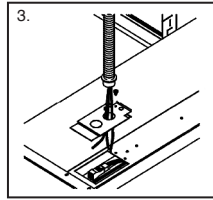
Complete installation instructions for grid and drywall ceiling types are available at: [www.dayolite.com](http://www.dayolite.com)



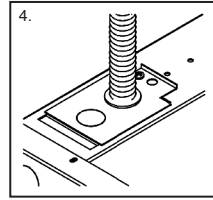
1. Position Fixture



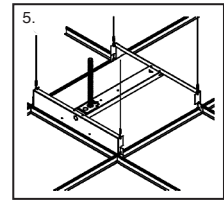
2. Secure Tie Wire



3. Connect Power

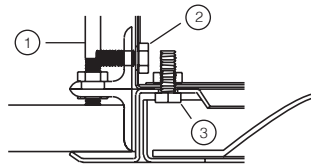
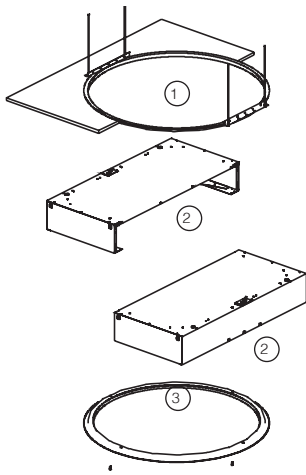


4. Close Access Plate

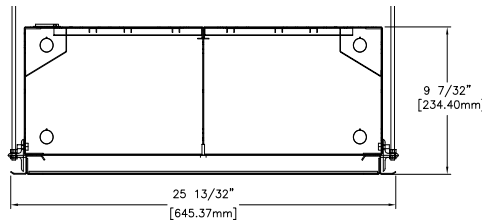


5. Installation Complete

### Drywall/Plaster Ceiling



Flange Detail



① Secure plaster frame to the ceiling with rods or wire ties.

Insert the fixture sections one at a time. The fixture housing is fabricated in two mating sections to allow entry through the plaster frame aperture, the housing is furnished with the necessary hardware for field attachment.

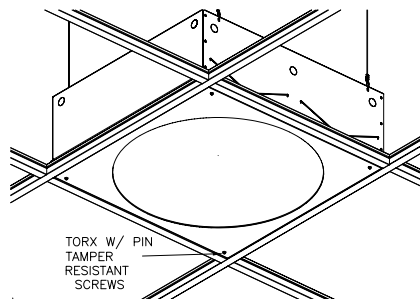
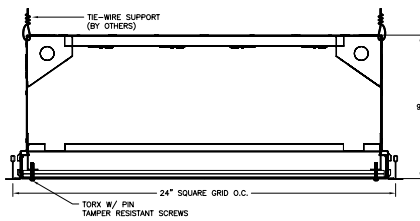
②

Install the lens frame assembly to the fixture housing. The lens frame is provided with hardware and is tethered to allow access inside the fixture. The lens door is secured with a bayonet twist locking action.

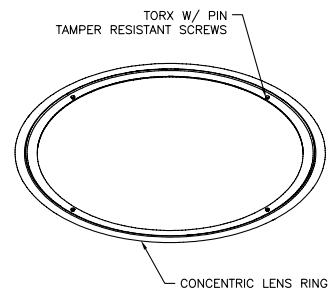
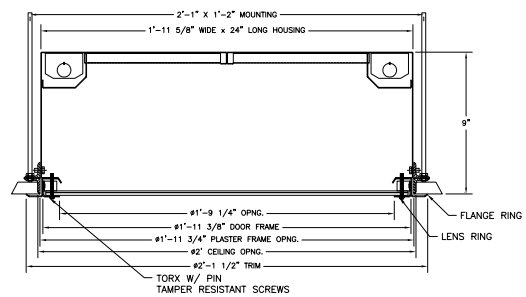
③

### Tamper-Resistant Mounting Detail

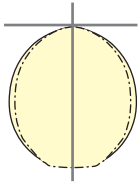
#### GT = GRID TAMPER RESISTANT



#### FT = FLANGE TAMPER RESISTANT



## Photometry



### FOR ALL GRID CEILINGS

NASL-RND-D-SI-40-**LO**-2-G

4000K CCT  
 WATTS: 32  
 LUMENS: 2475  
 LPW = 70  
 Optical Distribution:  
 100% Direct

NASL-RND-D-SI-40-**SO**-2-G

### FOR DRYWALL CEILINGS

NASL-RND-D-SI-40-**LO**-2-F

4000K CCT  
 WATTS: 42  
 LUMENS: 3300  
 LPW = 70  
 Optical Distribution:  
 100% Direct

4000K CCT  
 WATTS: 42  
 LUMENS: 3150  
 LPW = 75  
 Optical Distribution:  
 100% Direct

## Specifications

**CONSTRUCTION:** 20 gauge CRS housing and internal components.

**REFLECTOR:** 20 gauge CRS finished in highly reflective baked white enamel with pre-finished reflective LED tray.

**OPTICS:** LED optimized Satin Ice (SI) acrylic lay-in lens and convex (CX) or concave (CC) white opal acrylic lens

**LED:** LED modules in 30/35/40 & 50K CCT, 80 CRI (90CRI available).  $L_{70}$  = 50,000 hours. 3 SDCM color consistency; field replaceable.

**DRIVER** Standard driver is Class 2 AOC 0-10V to 1%, 120/277V input, PF > 90%, THD < 20 @ 120V. Additional dimming protocols available. All drivers prewired from factory for connection to control system (by others). Field replaceable.

**MOUNTING:** Standard installation is in an exposed inverted T-bar ceiling. Fixtures are supplied with four support brackets for additional support to T-bar. May also be installed in a plaster ceiling (F/TRL mounting option with Flange); field replaceable.

**FINISH:** Housing and components finished in baked white enamel.

**CERTIFICATION:** Luminaires are cETLus listed conforming to UL STD. 1598 and certified to CSA STD C22.2 NO. 250.0. Suitable for dry & damp locations. Union Made in the United States of America. I.B.E.W. RoHS compliant.

Day-O-Lite offers a variety of tunable white and tunable color options for a range of human centric applications and budgets. It is recommended that a recognized authority on the benefits and best practices of tunable white be consulted prior to specification. As a rule, fewer channels will provide a basic level of performance for budget conscious applications. Conversely, an increased number of channels, a wider CCT range, higher CRI and more precise color consistency may be more appropriate depending on the application and desired results.

### HOW TO SPECIFY

Select from the various channel/control options below and insert desired **Ordering Code** into the **COLOR TEMP** column of the Ordering Guide on page 1. No need to add a dimming option as the codes include the chosen protocol.

### 2-CHANNEL TUNABLE WHITE OPTIONS

2700K - 6500K CCT range  
1000L/ft LED modules @ 4000K  
80+ CRI w/3SDCM color accuracy  
10W/ft. nominal power

### Ordering Codes

**2DIM10** for 0-10V control  
**2DALI** for DALI control  
**2DMX** for DMX control  
**2PSQ** for Lutron Quantum control  
**2SNS** for control via Signify SNS sensors  
**2CAS** for control via Casambi BLE wireless devices

### LEGRAND BLANCO MULTI-CHANNEL OPTIONS

#### Blanco-2

Blanco-2 mixes two channels of white LEDs to approximate the blackbody curve for tunable white applications. CCT and intensity may be adjusted with controls by others.

3000K-5000K CCT range  
1000L/ft LED modules @ 4000K  
90+ CRI w/2SDCM color accuracy  
10W/ft. nominal power

#### Ordering Codes

**B2DLM** for DLM control

#### Blanco-3

Blanco-3 mixes three channels of white LEDs across a wider range of color temperatures for more demanding tunable white applications. CCT and intensity may be adjusted with controls by others.

2700K-6500K CCT range  
1000L/ft. LED modules @ 4000K  
90+ CRI w/2SDCM color accuracy  
10W/ft. nominal power

#### Ordering Codes

**B3DLM** for DLM control

### RGB & RGBW TUNABLE COLOR

RGB = Red, Green, Blue color mixing LEDs  
RGB/W = Red, Green, Blue + White of chosen CCT  
Dimming from 100% to 1%.  
90+ CRI w/3SDCM color accuracy  
10W/ft. nominal power

#### Notes:

RGB requires an RGB DMX or DALI controller (by others)

RGBW requires an RGBW DMX or DALI controller (by others)

All channels on one driver is standard, if isolating the White from the RGB channels is desired please consult factory.

RGB and RGBW are not recommended for tunable white applications.

### Ordering Codes

**RGB** for DMX control  
**RGB27** for DMX control w/2700K white  
**RGB30** for DMX control w/3000K white  
**RGB35** for DMX control w/3500K white  
**RGB40** for DMX control w/4000K white  
**RGB50** for DMX control w/5000K white  
**RGB65** for DMX control w/6500K white  
Add Suffix **DAL** for DALI Control to codes above.

### 5-CHANNEL TUNABLE WHITE AND COLOR

RGBWW = Red, Green, Blue, Warm White, Cool White.

Consult factory for RGBWW tunable white/color options.