




EQL1923-SR-TRL INSTALLATION INSTRUCTIONS




RISK OF ELECTRICAL SHOCK.
DISCONNECT POWER BEFORE INSTALLATION OR SERVICING.



TO BE INSTALLED BY A QUALIFIED ELECTRICIAN IN ACCORDANCE TO LOCAL & NATIONAL ELECTRIC CODES.




FAILURE TO COMPLY TO INSTRUCTIONS & FORMENTIONED WARNINGS COULD VOID PRODUCT WARRANTY



CEILING TO BE PROPERLY REINFORCED TO SUPPORT WEIGHT OF THE FIXTURE.

NOTE: TILTED INSTALLATION SHOWN. FLAT INSTALLATION SIMILAR


1. ASSEMBLE MOUNTING FRAME. FOR TILTED INSTALLATION, BEND STOP TABS OUTWARDS IN DIRECTION SHOWN
2. HANG MOUNTING FRAME USING 1/4-20 ROD SECURED TO STRUCTURAL CEILING (BY OTHERS)
IF INSTALLING IN TILTED POSITION, MAKE SURE TO MOUNT FRAME SO FIXTURE WILL TILT IN DESIRED DIRECTION.
3. INSTALL TRIM SLEEVE AND SECURE TO MOUNTING FRAME USING #8-32 NUTS.
4. REMOVE LENS AND INSTALL FIXTURE BASE. SECURE FIXTURE BASE TO MOUNTING FRAME USING 1/4-20 NUTS AND INSTALLED CARRIAGE BOLTS.
DO NOT OVER TIGHTEN MOUNTING NUTS
5. REMOVE DRIVER COVER AND MAKE WIRING CONNECTIONS. USE APPROPRIATE STRAIN RELIEF AS REQUIRED BY LOCAL CODES. (TYPICAL WIRING DIAGRAM SHOWN)
6. RE-INSTALL DRIVER COVER AND LENS.
7. INSTALL CEILING AND PLASTER TO FIXTURE. FIXTURE INSTALLATION IS COMPLETE.



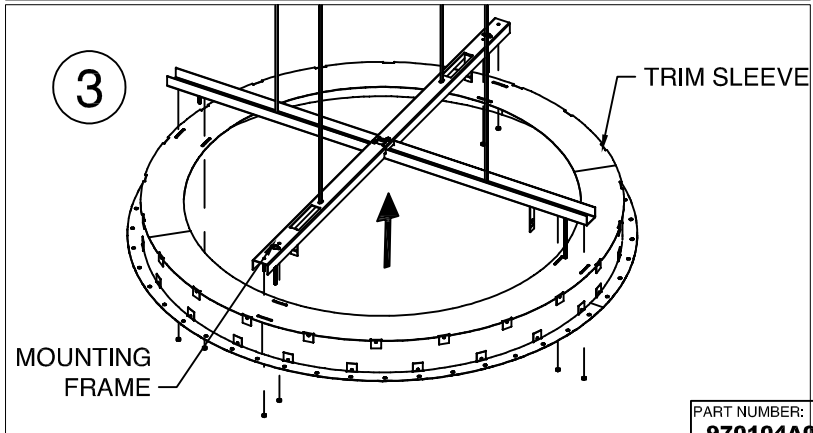
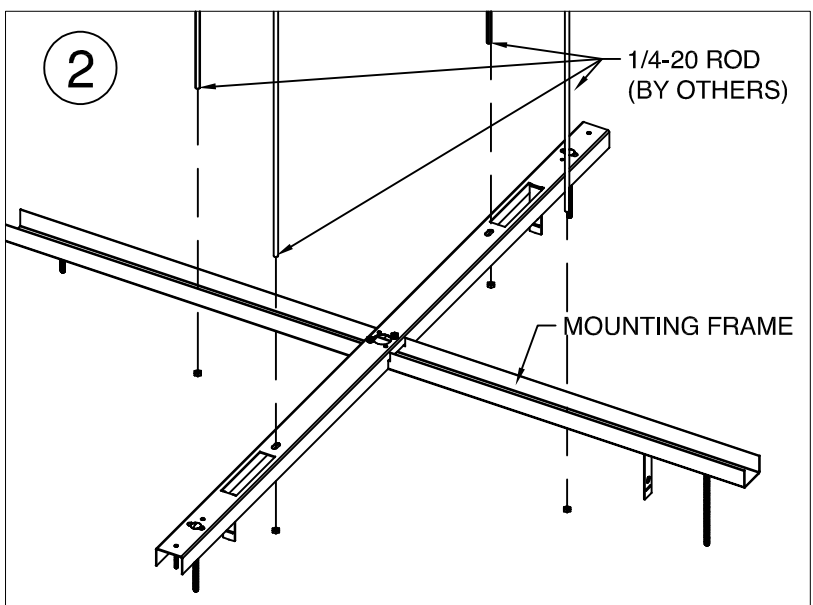
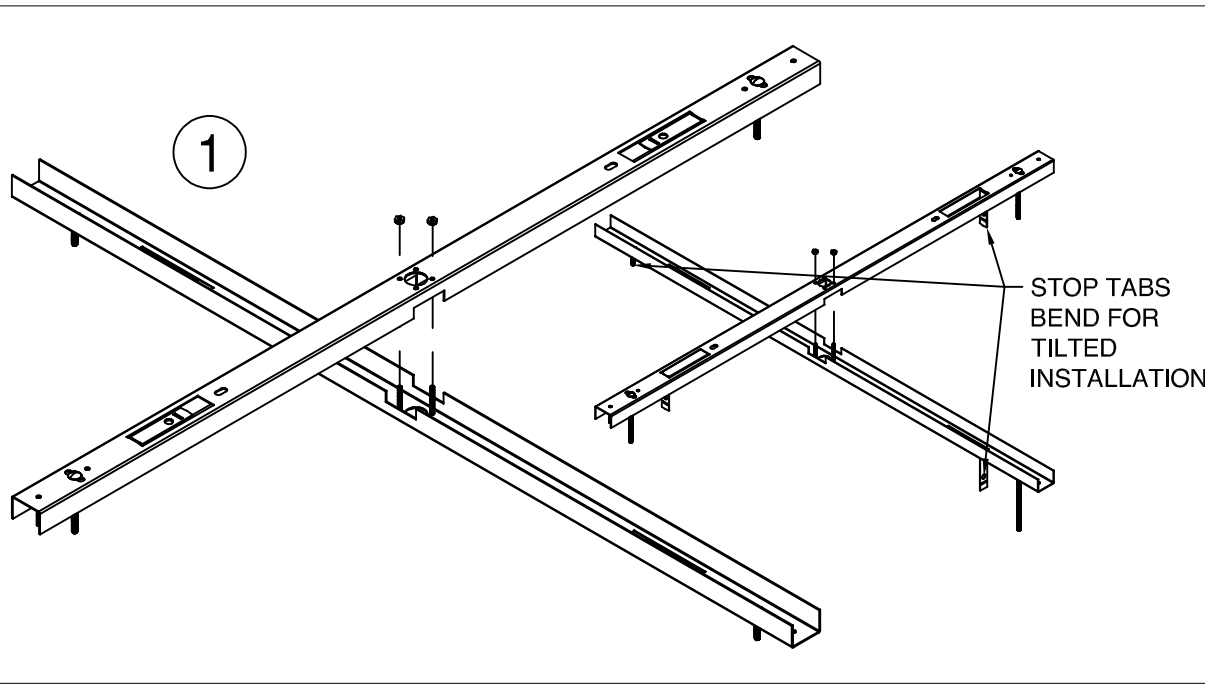
REFERENCE SHOP DRAWINGS FOR CRITICAL MOUNTING DIMENSIONS.



DO NOT PLASTER/MUD OVER FIXTURE LENS.



MUST INSTALL PRIOR TO CEILING.



PART NUMBER:
970104A0


MUST BE INSTALLED BY A QUALIFIED ELECTRICIAN. DISCONNECT POWER DURING INSTALLATION/SERVICING. ROW CONFIGURATION IS JOB SPECIFIC, CONSULT SHOP DRAWINGS BEFORE CONSTRUCTING ROWS. STANDARD OPTIONS/SIZES SHOWN, OTHER OPTIONS AVAILABLE WITH SIMILAIR INSTALLATION. BE SURE TO UNDERSTAND ALL PROCEDURES PRIOR TO INSTALLATION. IMPORTANT: THE NATIONAL ELECTRIC CODE REQUIRES THAT ANY FIXTURE IN EXCESS OF 50 POUNDS MUST BE INDEPENDENTLY SUPPORTED OF THE OUTLET BOX. DAY-O-LITE IS NOT RESPONSIBLE FOR INADEQUATE REINFORCEMENT OF STRUCTURAL SUPPORT SYSTEMS. DAY-O-LITE RESERVES THE RIGHT TO MAKE ANY MECHANICAL OR MATERIAL CHANGES TO THE FIXTURES WHICH DO NOT AFFECT THE APPEARANCE OR PERFORMANCE. THIS PRINT IS THE PROPERTY OF DAY-O-LITE AND THE INFORMATION IT CONTAINS MAY NOT BE USED WITHOUT WRITTEN CONSENT OF DAY-O-LITE.

MODEL NO.:
EQL1923----

CONTACT INFORMATION:
126 Chestnut Street, Warwick, RI 02888
Tel. (401) 467-8232 | Fax. (401) 941-2960
E-mail: sales@dayolite.com
WWW: http://www.dayolite.com

PAGE:
SHEET 1 OF 2

ISSUED ON:
11/18/2020




DAY-O-LITE
Lighting Without Limits


EQL1923-SR-TRL INSTALLATION INSTRUCTIONS




RISK OF ELECTRICAL SHOCK. DISCONNECT POWER BEFORE INSTALLATION OR SERVICING.



TO BE INSTALLED BY A QUALIFIED ELECTRICIAN IN ACCORDANCE TO LOCAL & NATIONAL ELECTRIC CODES.




FAILURE TO COMPLY TO INSTRUCTIONS & FORMENTIONED WARNINGS COULD VOID PRODUCT WARRANTY



CEILING TO BE PROPERLY REINFORCED TO SUPPORT WEIGHT OF THE FIXTURE.


1. ASSEMBLE MOUNTING FRAME. FOR TILTED INSTALLATION, BEND STOP TABS OUTWARDS IN DIRECTION SHOWN
2. HANG MOUNTING FRAME USING 1/4-20 ROD SECURED TO STRUCTURAL CEILING (BY OTHERS)
IF INSTALLING IN TILTED POSITION, MAKE SURE TO MOUNT FRAME SO FIXTURE WILL TILT IN DESIRED DIRECTION.
3. INSTALL TRIM SLEEVE AND SECURE TO MOUNTING FRAME USING #8-32 NUTS.
4. REMOVE LENS AND INSTALL FIXTURE BASE. SECURE FIXTURE BASE TO MOUNTING FRAME USING 1/4-20 NUTS AND INSTALLED CARRIAGE BOLTS.
DO NOT OVER TIGHTEN MOUNTING NUTS
5. REMOVE DRIVER COVER AND MAKE WIRING CONNECTIONS. USE APPROPRIATE STRAIN RELIEF AS REQUIRED BY LOCAL CODES. (TYPICAL WIRING DIAGRAM SHOWN)
6. RE-INSTALL DRIVER COVER AND LENS.
7. INSTALL CEILING AND PLASTER TO FIXTURE. FIXTURE INSTALLATION IS COMPLETE.



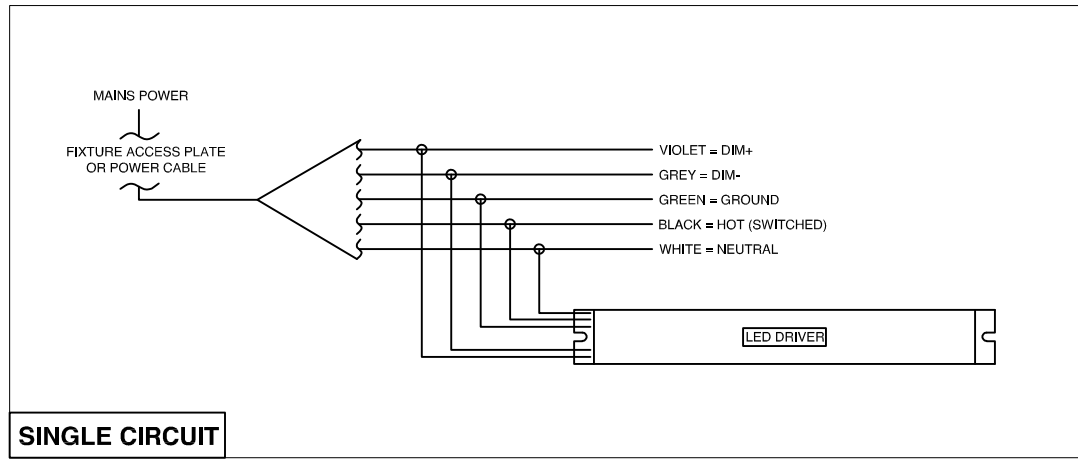
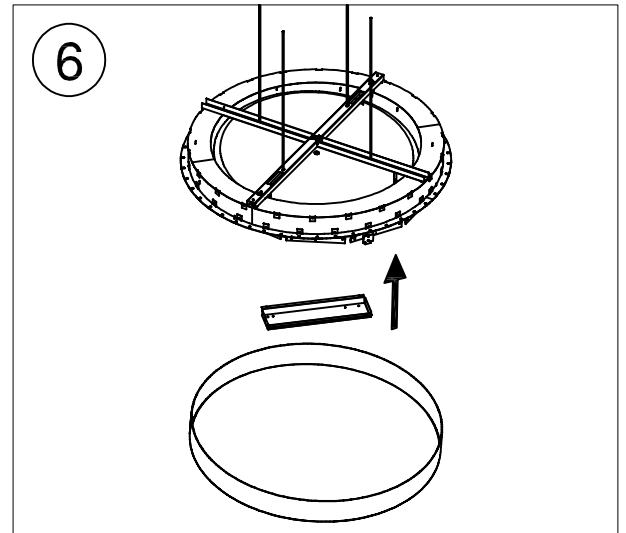
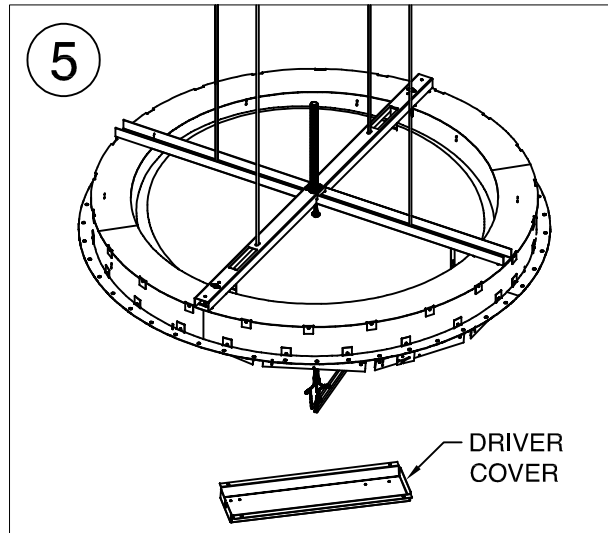
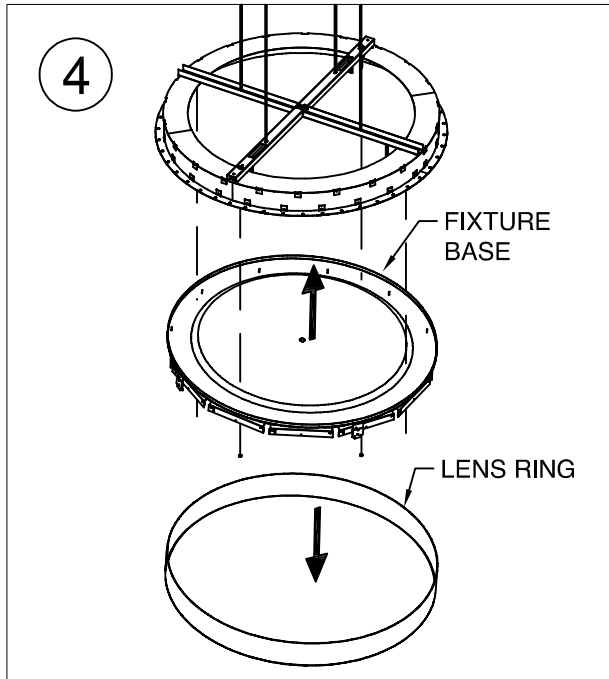
REFERENCE SHOP DRAWINGS FOR CRITICAL MOUNTING DIMENSIONS.



DO NOT PLASTER/MUD OVER FIXTURE LENS.



MUST INSTALL PRIOR TO CEILING.



PART NUMBER:
970104A0


MUST BE INSTALLED BY A QUALIFIED ELECTRICIAN. DISCONNECT POWER DURING INSTALLATION/SERVICING. ROW CONFIGURATION IS JOB SPECIFIC, CONSULT SHOP DRAWINGS BEFORE CONSTRUCTING ROWS. STANDARD OPTIONS/SIZES SHOWN, OTHER OPTIONS AVAILABLE WITH SIMILAIR INSTALLATION. BE SURE TO UNDERSTAND ALL PROCEDURES PRIOR TO INSTALLATION. IMPORTANT: THE NATIONAL ELECTRIC CODE REQUIRES THAT ANY FIXTURE IN EXCESS OF 50 POUNDS MUST BE INDEPENDENTLY SUPPORTED OF THE OUTLET BOX. DAY-O-LITE IS NOT RESPONSIBLE FOR INADEQUATE REINFORCEMENT OF STRUCTURAL SUPPORT SYSTEMS. DAY-O-LITE RESERVES THE RIGHT TO MAKE ANY MECHANICAL OR MATERIAL CHANGES TO THE FIXTURES WHICH DO NOT AFFECT THE APPEARANCE OR PERFORMANCE. THIS PRINT IS THE PROPERTY OF DAY-O-LITE AND THE INFORMATION IT CONTAINS MAY NOT BE USED WITHOUT WRITTEN CONSENT OF DAY-O-LITE.

MODEL NO.:
EQL1923----

CONTACT INFORMATION:
126 Chestnut Street, Warwick, RI 02888
Tel. (401) 467-8232 | Fax. (401) 941-2960
E-mail: sales@dayolite.com
WWW: http://www.dayolite.com

PAGE:
SHEET 1 OF 2

ISSUED ON:
11/18/2020



DAY-O-LITE
Lighting Without Limits