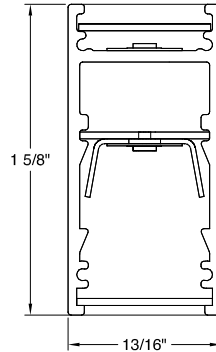


Date		Notes
Project		
Type	Qty	

Features

- Micro extruded aluminum direct/indirect housing.
- LED optimized optics for smooth, efficient illumination.
- Individual fixtures, continuous rows or custom patterns.
- Programmable driver for custom lumen packages.
- 0-10V dimming to 1% standard. Dim-to-off available.
- DMX, Lutron and DALI protocols also available.
- Sensor Ready for wireless Smart Lighting Solutions.
- 80/90CRI, Tunable White, RGBW & RGBWW.
- Bios SkyBlue™ circadian solutions available.

Declare Red List Approved.



SI Lens



Ordering Guide



MODEL	OPTICS	CCT	LUMENS ⁵	LENGTH	MOUNTING ⁵	FINISH	OPTIONS
MCRL-DI	SI						
MCRL-DI Direct / Indirect	SI = Satin Ice Acrylic Lens	<p>STATIC WHITE¹ 27 = 2700K 30 = 3000K 35 = 3500K 40 = 4000K 50 = 5000K</p> <p>TUNABLE WHITE² (2700K-6500K) 2DIM10 = for 0-10V 2DMX = for DMX 2ESN = for Philips 2CAS = for Casambi</p> <p>DIM-TO-WARM² (2700K-6500K) DTW = Dim-to-Warm</p> <p>RGB³ RGB = RGB</p>	<p>LO = 420/ft (5W/ft, 83LPW) SO = 550/ft (7W/ft, 81LPW) HO = 680/ft (9W/ft, 80LPW)</p> <p>CUSTOM LUMENS For custom lumens please specify < HO.</p>	<p>2 = 2 ft (22 1/4") 3 = 3 ft (33 3/8") 4 = 4 ft (44 1/2") 5 = 5 ft (55 5/8") 6 = 6 ft (66 3/4") 7 = 7 ft (77 7/8") 8 = 8 ft (89")</p> <p>For other enter row length (e48 = 48 ft)</p>	AC = Aircraft Cable	<p>W = White CC = Custom Color AMW = Anti-Microbial White</p>	<p>DIMMING DRIVERS⁷ DIM10 = 0-10V (1%) - Standard DTO = 0-10V (Dim-to-Off) DIMST = 0-10V Step Dimming 347 = 0-10V (347V) DIMSR = DALI Sensor Ready (5.0%) DALI = DALI (5.0%)</p> <p>LUTRON™ DIMMING DRIVERS⁷ LDE1 = Hi-Lume™ 1% EcoSystem LD2 = Digital 1% (DALI-2) L3DA3W = Hi-Lume™ 1% 3-Wire</p> <p>SENSORS & CONTROLS⁷ ESN = EasySense Sensor AWNS = Lutron Athena Sensor AWNR = Lutron Athena Node CAS = Casambi Wireless Control (More options page 5)</p> <p>EMERGENCY⁷ EMC = Emergency Circuit GTD = Generator Transfer Device EPC4 = 4W Emergency Battery Pack EPC6 = 6.5W Emergency Battery Pack EPC10 = 10W Emergency Battery Pack EPC12 = 12W Emergency Battery Pack</p> <p>WIRING & OTHER FWH = Flexible Wiring Harness DWH⁹ = DMX Wiring Harness</p>

¹CCT @ 80+CRI, 3SDCM. For 90CRI add prefix "9"; ex: 935 = 3500K, 90CRI.

²Tunable White, Dim-to-Warm and RGBW ordering codes page 2.

³Add white CCT to RGBW; ex: RGB35 = RGB w/3500K white.

⁴Lumens at 80CRI, 3500K. Photometry page 6.

⁵See page 6 for mounting option details.

⁷All Drivers, Sensors, Controls and Emergency Battery Packs are remote only. Sensors and control options to be commissioned in the field using applicable apps by qualified personnel. EPC6 is standard unless otherwise specified. EPC not for DMX drivers.

⁹DMX driver leads w/RJ-45 connectors optional.

TUNABLE WHITE - Fixture Level Control



Tunable White available in a range of 2700K-6500K CCT @ 80+CRI and 3SDCM color accuracy. Control via two 0-10V dimmers (one CCT, one intensity) controllers. Consult factory for 90CRI, electrical specifications and other details for each option below.

Applications:

- Spaces occupied overnight (~ 7pm to 7am)
- 24-hour spaces
- Shiftwork & Hospitals
- Senior Living, Alzheimer's, Dementia & Assisted Living
- Higher Education, including student and staff
- Workplaces, including areas occupied after 7pm

Ordering Codes:

2DIM10 = 0-10V

2DMX = DMX

2CAS = Casambi Wireless

2ESN = Philips EasySense Wireless (DT8, D4i, w/Occupancy & Daylight Harvesting. Requires wireless switches by others)

Remote driver and control module only.

DIM-to-WARM - Fixture Level Control



Dim-to-Warm mimics incandescent dimming by warming the CCT from 6500K to 2700K as light levels are dimmed. Simply lower the intensity and CCT changes from high to low. Compatible with most 0-10V dimmers (by others). Ideal for hospitality, restaurants and living facilities.

Applications:

- Hospitality
- Entertainment
- Living Facilities

Ordering Code:

DTW = Dim-to-Warm (0-10V)

Remote driver and control module only.

RGB - Fixture Level Control



RGB color effects plus white CCT lumens (LO/SO/HO) for general illumination in a host of applications. All options require DMX control (by others). White CCTs are 80CRI w/3SDCM color accuracy standard. Consult factory for details when ordering.

Applications:

- Entertainment Spaces
- Hospitality & Banquet
- Theatre & Stage
- Seasonal Applications
- Branding
- Wayfinding

Ordering Codes:

RGB = RGB only

Remote driver and control module only.

*RGBW and RGBWW options must be addressed and commissioned by knowledgeable controls/DMX professionals.

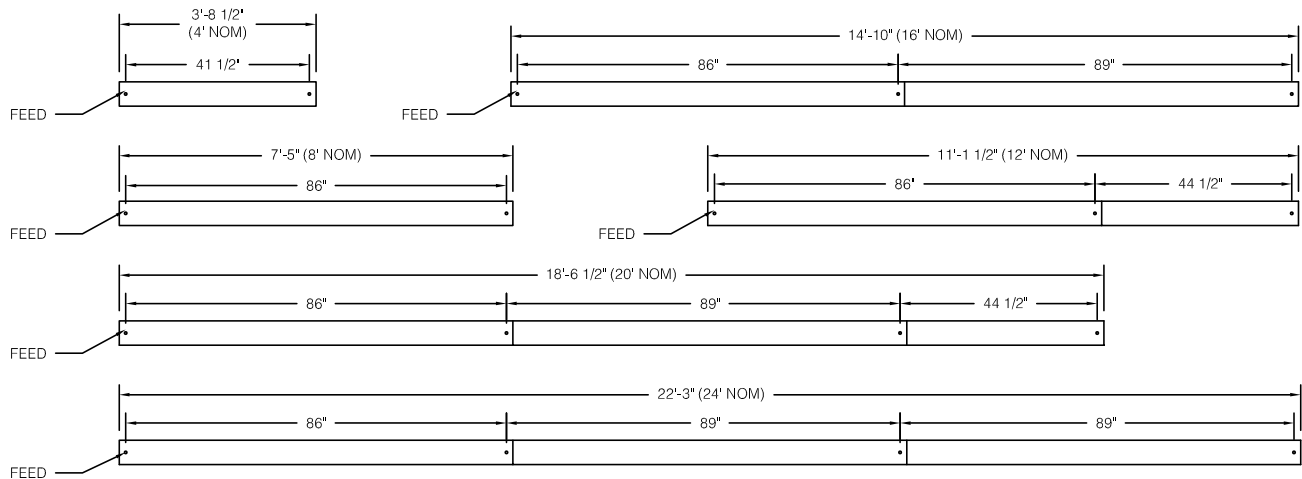
DWH fixture integral DMX wiring harnesses available. Consult factory for details.

Individual Fixtures & Continuous Rows

NOMINAL LENGTH	ACTUAL LENGTH	SUSP. 1 O.C.	SUSP. 2 O.C.	SUSP. 3 O.C.	SUSP. 4 O.C.
4'	3' 8-1/2"	41 1/2"			
8'	7' 5"	86"			
12'	11' 1-1/2"	86"	44 1/2"		
16'	14' 10"	86"	89"		
20'	18' 6-1/2"	86"	89"	44 1/2"	
24'	22' 3"	86"	89"	89"	89"

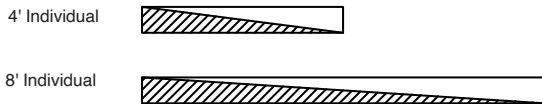
Individual fixtures and rows are continuously illuminated and joined with included aligner brackets and hardware. Power feed locations and mounting locations are shown below.

Continuous rows longer than 8' and patterns, including EPC/EMC and sensor locations must be approved prior to manufacturing.



Emergency & Sensor Locations

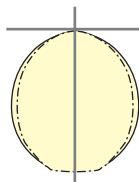
EPC will control entire length of fixture. Individual fixtures of differing lengths will deliver the same lumens under EPC power (a 4' fixture will deliver the same total lumens over half the length of an 8' fixture). EMC controlled fixtures will deliver lumens per foot as originally specified, unless dimmed at time of power loss. Consult factory for EMC dimming override device.



For individual fixtures to 8' **EPC/EMC** will power entire fixture.

NOTE All sensors and Emergency Battery Packs remote mount only.

Photometry



PRFL-14-D-SI-35-**LO**-4
Satin Ice Lens (SI)

4000K CCT
WATTS: 20
LUMENS: 1650
LPW: 83

PRFL-14-D-SI-35-**SO**-4
Satin Ice Lens (SI)

4000K CCT
WATTS: 27
LUMENS: 2200
LPW: 81

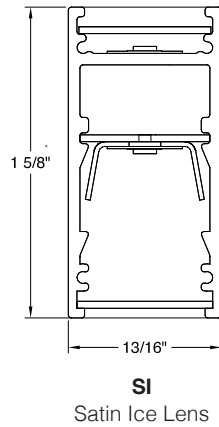
PRFL-14-D-SI-40-**HO**-4
Satin Ice Lens (SI)

4000K CCT
WATTS: 34
LUMENS: 2750
LPW: 80

3500K @ 80CRI, 4', 43% Direct, 57% Indirect Distribution, **SI** lens.

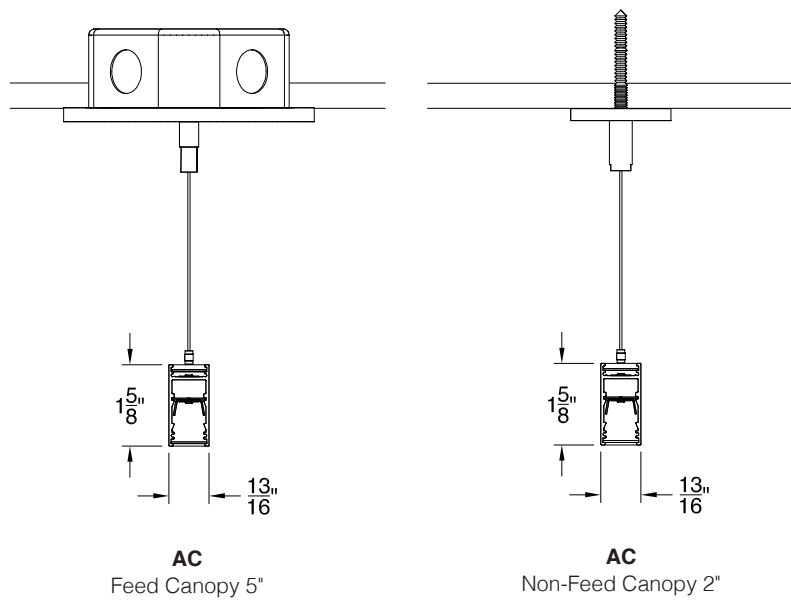
Use the following multipliers for other CCTs: 2700K x 0.96, 3000K x 0.98, 4000K x 1.02, 5000K x 1.03. IES files @ www.dayolite.com

Optics



Mounting

Standard suspension options include adjustable self-locking aircraft cables (AC) and rigid pendant stems (PD). AC assembly is 48" x 1/16" with a 5" feed canopy and 2" suspension canopies. 60" 18 gauge power and 22 gauge dimming control SJT feed. PD assemblies are 5/8" dia. (or 3/8" IP) hollow stem for power feed by others, 24" is standard. Consult factory for longer suspension lengths and other mounting options.



AC-PF = Replacement Power Feed w/cable Kit w/5" canopy.
AC-NF = Replacement Non/Feed Kit w/2" canopy.
 Consult factory for lengths and either 5 or 6 wire power feeds.

Smart Lighting Solutions¹ offer energy savings & building code compliance to meet today's energy saving requirements; solutions that combine sensors and controls with features including occupancy sensing, daylight harvesting, reporting, tunable white, temperature sensing and integration with a wide variety of room/building control systems (by others). **All sensors and controls remote mount only.**

The following offerings are for fixture-integral sensors and controls. Day-O-Lite luminaires are also compatible with many remote sensor/control systems not shown here. Each manufacturer offers multiple options; not all catalogued below. Consult factory when ordering.

SMART SOLUTIONS ¹	ORDER CODES	MFG.	IMAGE ³	SENSING TYPE	DRIVER TYPE	SMART PHONE APP ⁴	FUNCTION	TUNABLE WHITE & RGBW
	AVP	Avi-on		PIR/PCell	0-10V	Avi-on Mobile	Occupancy	No
	AVM			Microwave			Occupancy Daylight	
	BNV	BubblyNet		PIR & Photocell	0-10V	BubblyNet	Occupancy Daylight	No
	BND				DALI			
	CAS	Casambi		NA	0-10V DALI DMX	Casambi Pro	Wireless Control Only	Tunable RGBW
	ENC	Legrand Encelium		PIR & Photocell	0-10V DALI	Encelium Edge	Occupancy Daylight	Tunable White
	ENL	Enlighted		PIR & Photocell	0-10V	DLM Config	Occupancy Daylight Temp F/C	Tunable White
	LEG	Legrand Wattstopper		PIR/PCell	0-10V	DLM Config	Occupancy	No
				Microwave			Occupancy Daylight	
	ANS	Lutron Athena		PIR & Photocell	0-10V DALI-2	Athena App	Occupancy Daylight	Tunable White
	NLT	Acuity nLiGHT		PIR & Photocell	0-10V & LEDcode	nConfig	Occupancy Daylight	No
	NXC	Current NX		PIR & Photocell	0-10V	NX Connect	Occupancy Daylight	Tunable White
	ESN	Philips EasySense		PIR & Photocell	Signify Sensor Ready	Master Connect	Occupancy Daylight	Tunable White
	WVL	Cooper WaveLinX		PIR & Photocell	0-10V	WaveLinX Lite & Pro	Occupancy Daylight	No

¹Not all options above available in all markets. Design and specifications subject to change. Some options may not fit OVNL. Images may not be representative of actual component. Wireless control devices require compatible wireless switches (by others) for manual control. All options are to be commissioned on site by qualified Individuals using appropriate apps (by others).

Specifications

CONSTRUCTION Extruded aluminum housing. 20 gauge cold rolled steel internal components.

REFLECTOR Die-formed steel finished in highly reflective baked white enamel with pre-finished reflective LED tray.

OPTICS LED optimized Satin Ice acrylic lens is standard.

LED: Static white LED modules in 30/35/40 & 50K CCT, 80/90CRI. Lumen maintenance minimum L_{70} = 50,000 hours. 3 SDCM color consistency. RGB, Tunable White and Dim-to-Warm options available; field replaceable.

DRIVER: Standard driver is Class 2 AOC 0-10V to 1%, Dim-to-Off available. 120/277V input, PF > 90%, THD < 20 @ 120V. DMX, DALI & Lutron protocols available. All drivers prewired for connection to control system (by others); field replaceable.

MOUNTING: Standard options include adjustable self-locking aircraft cables (AC), and rigid pendant stems (PD). AC assembly is 48" x 1/16" with a 5" feed canopy and 2" suspension canopies. 18 gauge power and 22 gauge dimming control SJT feed. May also be surface ceiling mounted.

FINISH: Housing and components finished in baked white enamel. Canopies and pendant stems are white enamel unless otherwise specified. 5" Feed canopy w/2" Suspension canopies.

CERTIFICATION: cETLus listed conforming to UL STD. 1598 and certified to CSA STD C22.2 NO. 250.0. Suitable for dry & damp locations. Union Made in the United States of America. I.B.E.W. RoHS and BAA compliant; contact factory for any BABAA requests. DLC V5.1 Standard Listed. Declare Red List Approved.

LEGAL: Day-O-Lite, a division of SCW Corporation. All rights reserved. The Day-O-Lite logo is a registered trademark of SCW Corporation. Day-O-Lite reserves the right to change specifications without notice for product improvement.