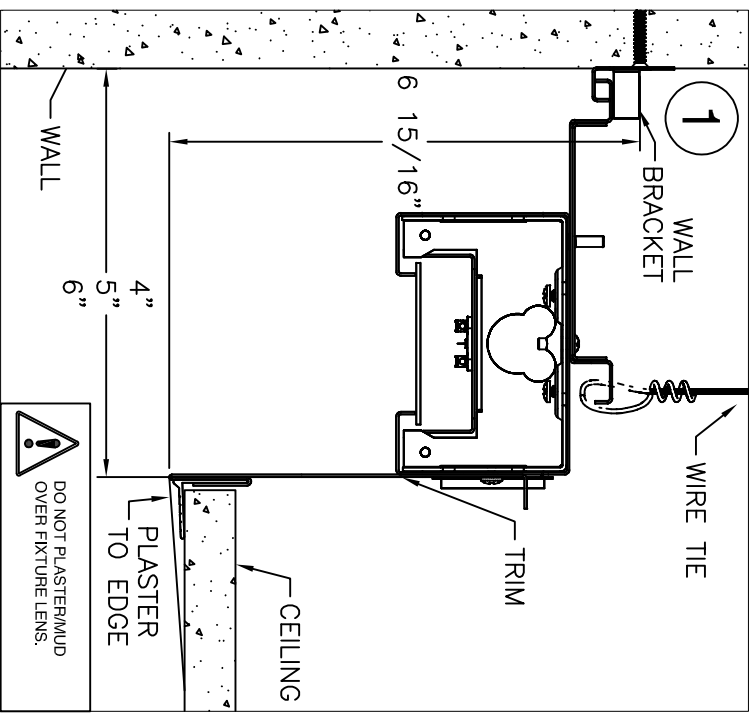
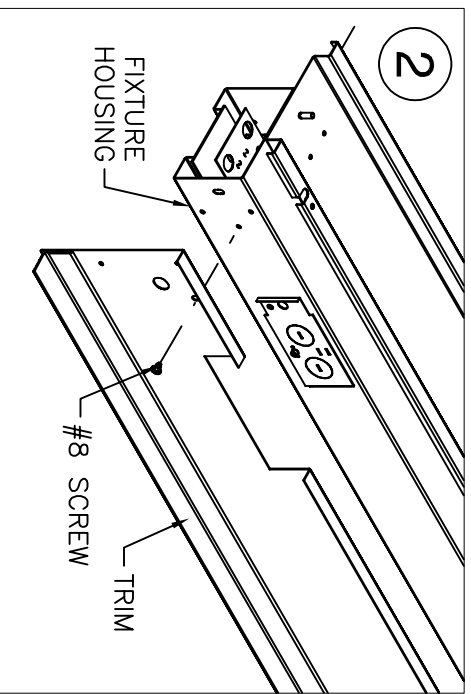


WPPL-4/5/6 TRIMLESS FIXTURE INSTALLATION



INSTALLATION OVERVIEW



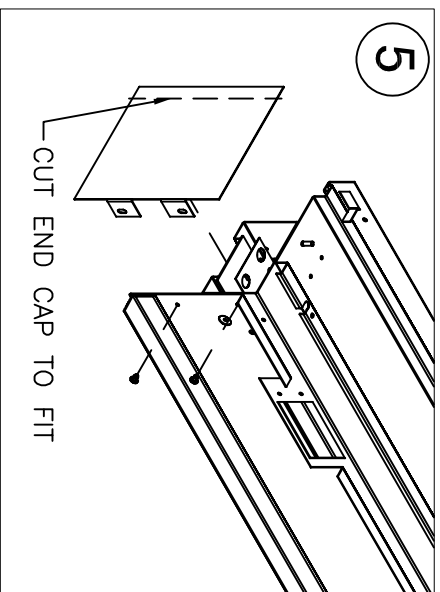
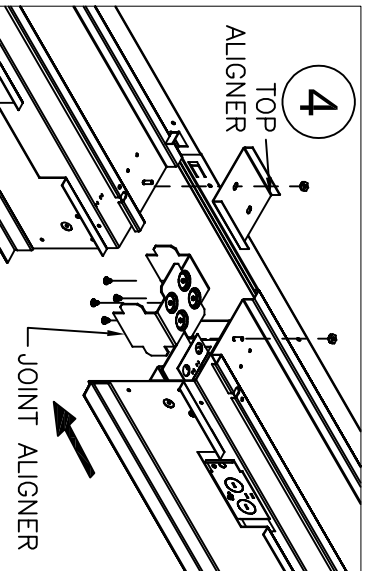
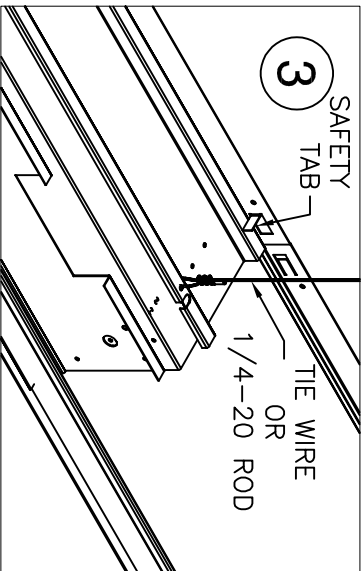
 RISK OF ELECTRICAL SHOCK. DISCONNECT POWER BEFORE INSTALLATION OR SERVICING.

 DO NOT CONSTRUCT ROW ON FLOOR & LIFT TO CEILING.

 KEEP ALL PROTECTIVE FILMS ON APPLICABLE SURFACES UNTIL FIXTURES ARE INSTALLED.

 MUST INSTALL PRIOR TO CEILING.

 TO BE INSTALLED BY A QUALIFIED ELECTRICIAN IN ACCORDANCE TO LOCAL & NATIONAL ELECTRIC CODES.




INSTALLATION INSTRUCTIONS

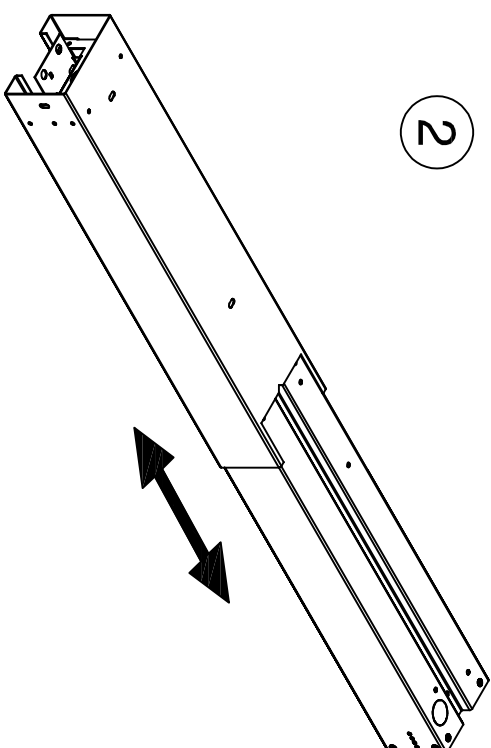
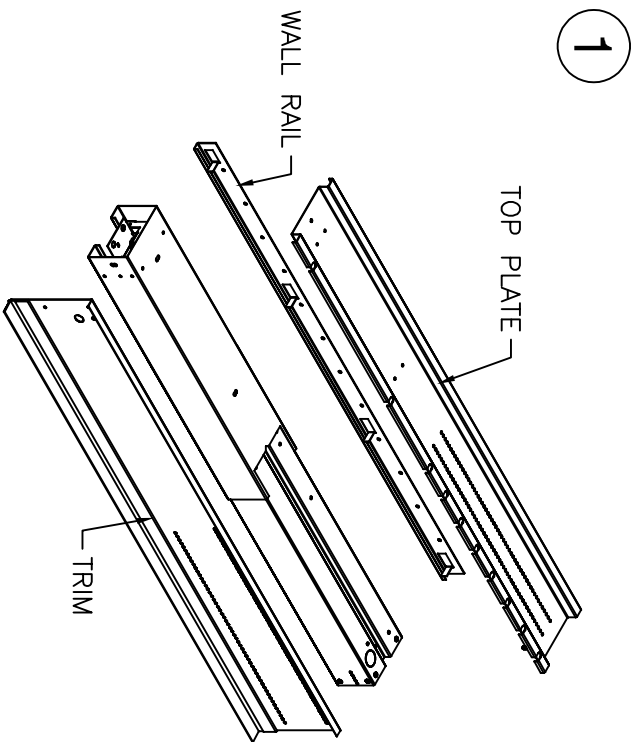
1. INSTALL WALL BRACKET AS SHOWN, LEFT TO RIGHT, ACCORDING TO DRAWINGS PROVIDED WITH JOB. WALL BRACKETS ARE SHIPPED SEPARATE FROM FIXTURE. IF PROVIDED, CUT TELESCOPING FIXTURE WALL RAIL TO FIT. CORNER WALL RAILS ARE SHIPPED STRAIGHT AND SHOULD BE BENT TO MATCH CORNER.
2. INSTALL TRIM TO FIXTURE HOUSINGS USING #8 SHEET METAL SCREWS PROVIDED. TRIMS AND SCREWS ARE SHIPPED SEPARATE FROM FIXTURE.
3. PLACE THE FIRST FIXTURE OVER THE THE WALL BRACKET. BEND SAFETY TABS OF WALL RAIL OVER FIXTURE. SECURE OTHER SIDE OF FIXTURE WITH THE WIRE.
4. INSTALL NEXT FIXTURE. INSTALL JOINT ALIGNER AND TOP ALIGNER. SECURE FIXTURES TOGETHER USING (4) SCREWS IN JOINT ALIGNER AND SECURING TOP ALIGNER WITH SUPPLIED NUTS.
5. ATTACH THE END CAP TO THE FRONT SHIELD AT THE BEGINNING AND END OF ROW
NOTE: END CAP IS FIELD TRIMMABLE AND MUST BE CUT TO FIT AS REQUIRED.
6. PLASTER TO EDGE
7. INSTALL LENS

NOTE: SEE PAGE 2 OF 2 FOR ADJUSTABLE TELESCOPIC UNIT

MUST BE INSTALLED BY A QUALIFIED ELECTRICIAN. DISCONNECT POWER DURING INSTALLATION/SERVICING. ROW CONFIGURATION IS JOB SPECIFIC. CONSULT SHOP DRAWINGS BEFORE CONSTRUCTING ROWS. STANDARD OPTIONS/SIZES SHOWN. OTHER OPTIONS AVAILABLE WITH SIMILAR INSTALLATION. BE SURE TO UNDERSTAND ALL PROCEDURES PRIOR TO INSTALLATION. IMPORTANT: THE NATIONAL ELECTRIC CODE REQUIRES THAT ANY FIXTURE IN EXCESS OF 50 POUNDS MUST BE INDEPENDENTLY SUPPORTED OF THE OUTLET BOX. DAY-O-LITE IS NOT RESPONSIBLE FOR INADEQUATE REINFORCEMENT OF STRUCTURAL SUPPORT SYSTEMS. DAY-O-LITE RESERVES THE RIGHT TO MAKE ANY MECHANICAL OR MATERIAL CHANGES TO THE FIXTURES WHICH DO NOT AFFECT THE APPEARANCE OR PERFORMANCE. THIS PRINT IS THE PROPERTY OF DAY-O-LITE AND THE INFORMATION IT CONTAINS MAY NOT BE USED WITHOUT WRITTEN CONSENT OF DAY-O-LITE.

MODEL NO.: WPPL-4-6-F----	PAGE: SHEET 1 OF 2	PART NUMBER: 970089A2
ISSUED ON: 7/28/2020		
CONTRACT INFORMATION: 126 Chestnut Street, Warwick, RI 02888 Tel: (401) 467-8232 Fax: (401) 941-2960 E-mail: sales@dayo-lite.com WWW: http://www.dayo-lite.com		
 DAY-O-LITE Lighting Without Limits		

TELESCOPIC FIXTURE INSTALLATION



1. REMOVE TOP PLATE AND TRIM FROM TELE FIXTURE. CUT WALL BRACKET, TOP PLATE AND TRIM TO REQUIRED LENGTH TO COMPLETE FIXTURE RUN. SECURE WALL BRACKET TO WALL.
2. ADJUST TELE HOUSING TO REQUIRED LENGTH TO COMPLETE FIXTURE RUN. ADJUST LED TRAY TO REQUIRED LENGTH TO FIT FIXTURE.
3. RE-INSTALL FRONT TRIM AND TOP PLATE TO FIXTURE USING SCREWS REMOVED IN STEP 1
4. INSTALL FIXTURE ACCORDING TO INSTRUCTIONS ON PAGE 1

INSTALLATION INSTRUCTIONS



<p>FAILURE TO COMPLY TO INSTRUCTIONS & FORMENTIONED WARNINGS COULD VOID PRODUCT WARRANTY</p>	<p>MUST INSTALL PRIOR TO CEILING.</p>	<p>TO BE INSTALLED BY A QUALIFIED ELECTRICIAN IN ACCORDANCE TO LOCAL & NATIONAL ELECTRIC CODES.</p>
<p>DAY-O-LITE ASSUMES NO RESPONSIBILITIES FOR CLAIMS FOUNDED FROM IMPROPER INSTALLATION OR HANDLING.</p>	<p>DO NOT CONSTRUCT ROW ON FLOOR & LIFT TO CEILING.</p>	<p>KEEP ALL PROTECTIVE FILMS ON APPLICABLE SURFACES UNTIL FIXTURES ARE INSTALLED.</p>

MUST BE INSTALLED BY A QUALIFIED ELECTRICIAN. DISCONNECT POWER DURING INSTALLATION/SERVICING. ROW CONFIGURATION IS JOB SPECIFIC. CONSULT SHOP DRAWINGS BEFORE CONSTRUCTING ROWS. STANDARD OPTIONS/SIZES SHOWN. OTHER OPTIONS AVAILABLE WITH SIMILAIR INSTALLATION. BE SURE TO UNDERSTAND ALL PROCEDURES PRIOR TO INSTALLATION. IMPORTANT: THE NATIONAL ELECTRIC CODE REQUIRES THAT ANY FIXTURE IN EXCESS OF 50 POUNDS MUST BE INDEPENDENTLY SUPPORTED OF THE OUTLET BOX. DAY-O-LITE IS NOT RESPONSIBLE FOR INADEQUATE REINFORCEMENT OF STRUCTURAL SUPPORT SYSTEMS. DAY-O-LITE RESERVES THE RIGHT TO MAKE ANY MECHANICAL OR MATERIAL CHANGES TO THE FIXTURES WHICH DO NOT AFFECT THE APPEARANCE OR PERFORMANCE. THIS PRINT IS THE PROPERTY OF DAY-O-LITE AND THE INFORMATION IT CONTAINS MAY NOT BE USED WITHOUT WRITTEN CONSENT OF DAY-O-LITE.

<p>MODEL NO.: WPPL-4-6-F----</p> <p>CONTRACT INFORMATION: 126 Chestnut Street, Warwick, RI 02888 Tel: (401) 467-8232 Fax: (401) 941-2960 E-mail: sales@dayo-lite.com WWW: http://www.dayo-lite.com</p>	<p>PAGE: SHEET 1 OF 2</p> <p>ISSUED ON: 7/28/2020</p> <p>PART NUMBER: 970089A2</p>
---	--