




PNR9L INSTALLATION INSTRUCTIONS

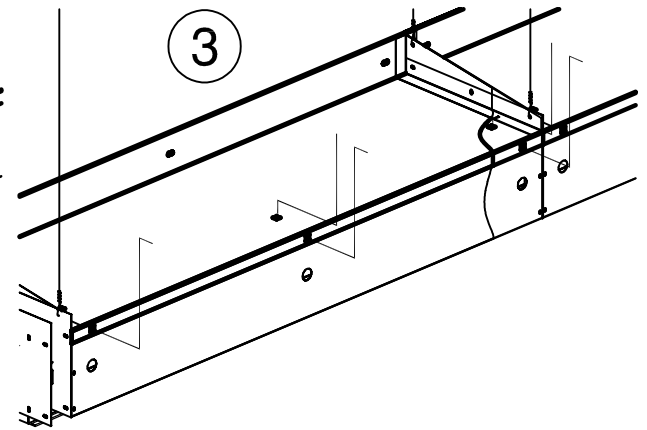
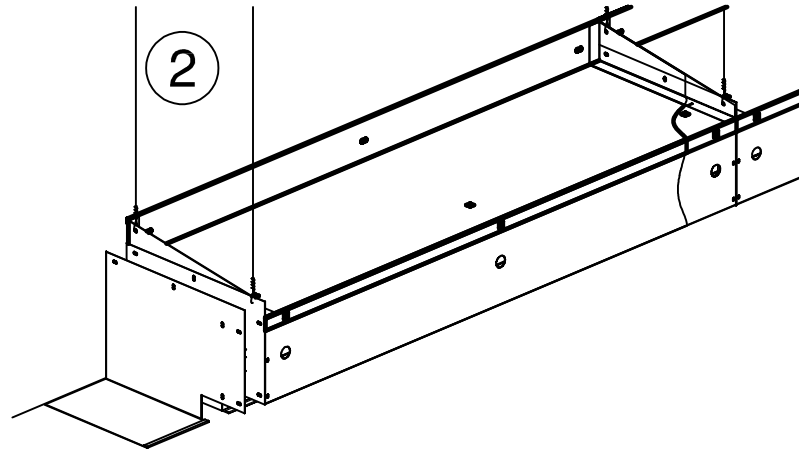
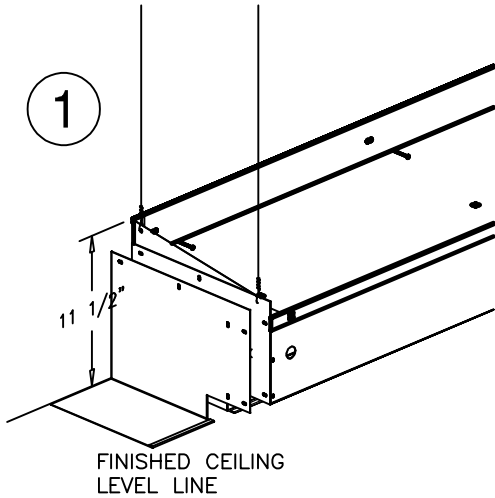
 **MUST INSTALL PRIOR TO CEILING.**

 **RISK OF ELECTRICAL SHOCK. DISCONNECT POWER BEFORE INSTALLATION OR SERVICING.**

 **DO NOT CONSTRUCT ROW ON FLOOR & LIFT TO CEILING.**

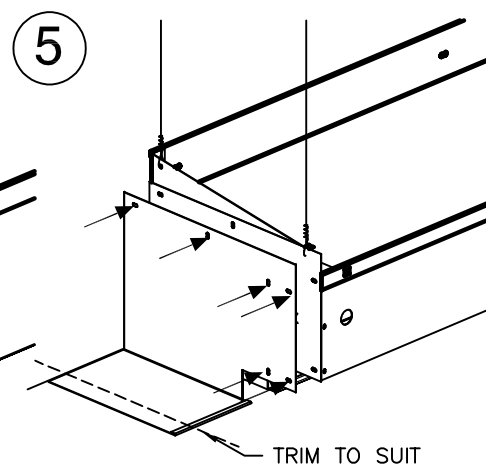
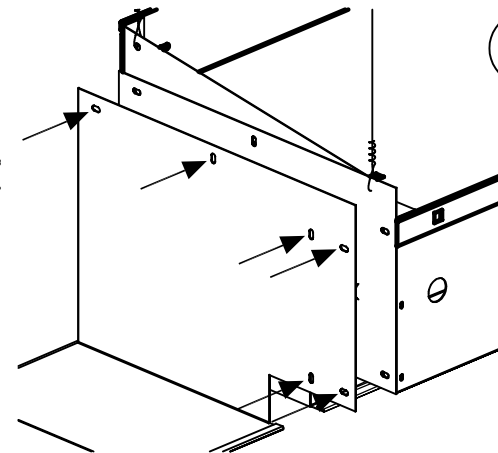
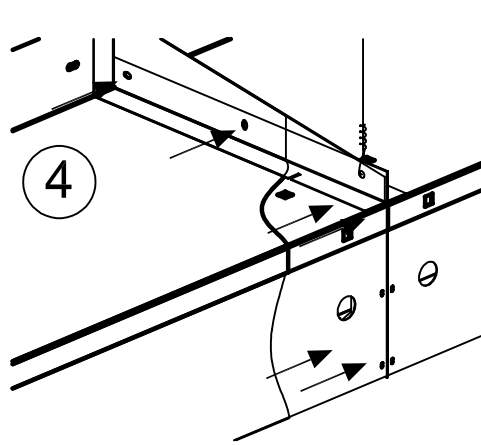
 **KEEP ALL PROTECTIVE FILMS ON APPLICABLE SURFACES UNTIL FIXTURES ARE INSTALLED.**

 **TO BE INSTALLED BY A QUALIFIED ELECTRICIAN IN ACCORDANCE TO LOCAL & NATIONAL ELECTRIC CODES.**



INSTALLATION INSTRUCTIONS

- 1) USING APPROPRIATE HARDWARE FOR YOUR APPLICATION, INSTALL WALL RAILS 11-1/2" ABOVE THE LEVEL OF THE FINISHED CEILING. ENSURE THE RAILS ARE LEVEL.
- 2) MOUNT SUPPORT BRACKETS TO THE WALL RAILS. SECURE THE SUPPORT BRACKETS TO STRUCTURAL CEILING AS REQUIRED.
- 3) ATTACH FIXTURE CHASSIS TO THE SUPPORT BRACKET, USING HARDWARE PROVIDED.
- 4) ALIGN AND JOIN ADJACENT FIXTURES TO EACH OTHER, USING HARDWARE PROVIDED.
- 5) ATTACH END PLATE OR END FILLER (SHOWN AS 5B) TO END OF ROW, USING HARDWARE PROVIDED. IF APPLICABLE, ATTACH END FILLER USING HARDWARE PROVIDED. END FILLER CAN BE TRIMMED IN THE FIELD TO SUIT APPLICATION.
- 6) REMOVE REFLECTOR AND WIRE FIXTURE AS SPECIFIED BY LOCAL ELECTRICAL CODES



MUST BE INSTALLED BY A QUALIFIED ELECTRICIAN. DISCONNECT POWER DURING INSTALLATION/SERVICING. ROW CONFIGURATION IS JOB SPECIFIC, CONSULT SHOP DRAWINGS BEFORE CONSTRUCTING ROWS. STANDARD OPTIONS/SIZES SHOWN, OTHER OPTIONS AVAILABLE WITH SIMILAIR INSTALLATION. BE SURE TO UNDERSTAND ALL PROCEDURES PRIOR TO INSTALLATION. IMPORTANT: THE NATIONAL ELECTRIC CODE REQUIRES THAT ANY FIXTURE IN EXCESS OF 50 POUNDS MUST BE INDEPENDENTLY SUPPORTED OF THE OUTLET BOX. DAY-O-LITE IS NOT RESPONSIBLE FOR INADEQUATE REINFORCEMENT OF STRUCTURAL SUPPORT SYSTEMS. DAY-O-LITE RESERVES THE RIGHT TO MAKE ANY MECHANICAL OR MATERIAL CHANGES TO THE FIXTURES WHICH DO NOT AFFECT THE APPEARANCE OR PERFORMANCE. THIS PRINT IS THE PROPERTY OF DAY-O-LITE AND THE INFORMATION IT CONTAINS MAY NOT BE USED WITHOUT WRITTEN CONSENT OF DAY-O-LITE.


MODEL NO.: PNR9L----

CONTACT INFORMATION:
126 Chestnut Street, Warwick, RI 02888
Tel. (401) 467-8232 | Fax. (401) 941-2960
E-mail: sales@dayolite.com
WWW: http://www.dayolite.com

PART NUMBER: **970110A0**

ISSUED ON: 12/18/2020

PAGE: SHEET 1 OF 2

 **DAY-O-LITE**
Lighting Without Limits