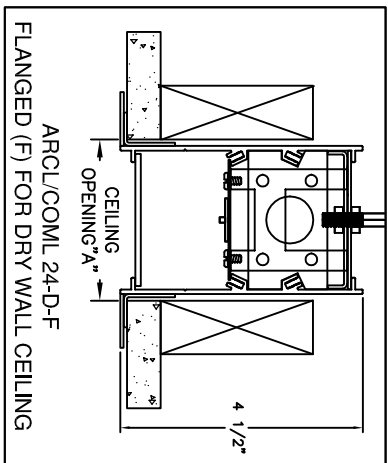


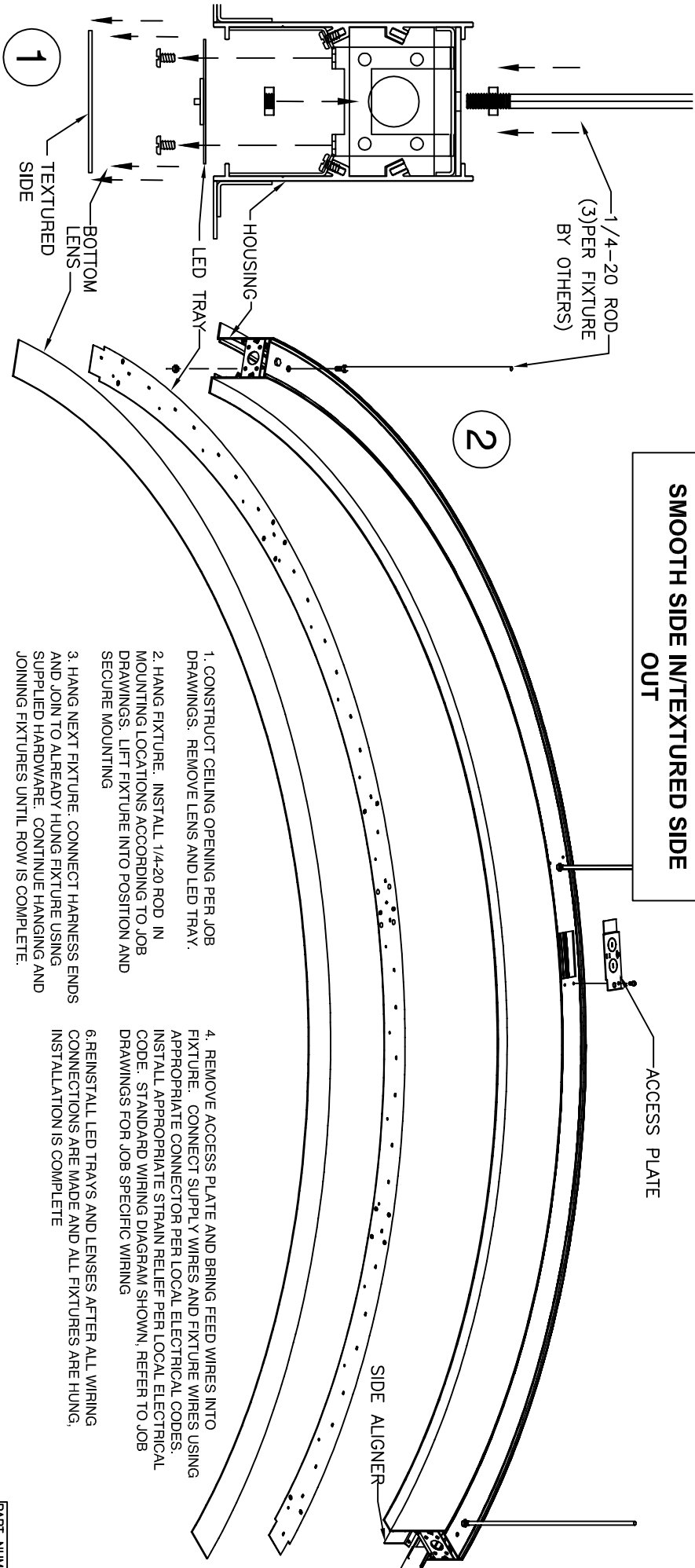
ARCL/COML-D-F-PATTERN-INSTALLATION



SERIES	CEILING OPENING "A"
ARCL/COML 14-D	2 5/32"
ARCL/COML 24-D	3"
ARCL/COML 44-D	4 1/4"

NOTE: BE SURE TO REMOVE PROTECTIVE LINER FROM LENSES TO BE INSTALLED WITH SMOOTH SIDE IN/TEXTURED SIDE OUT

	TO BE INSTALLED BY A QUALIFIED ELECTRICIAN IN ACCORDANCE TO LOCAL & NATIONAL ELECTRICAL CODES.		FAILURE TO COMPLY TO INSTRUCTIONS & FORMENTIONED WARNINGS COULD VOID PRODUCT WARRANTY
	DO NOT CONNECT LED TRAY(S) WHEN UNDER LOAD.		DAY-O-LITE ASSUMES NO RESPONSIBILITIES FOR CLAIMS FOUNDED FROM IMPROPER INSTALLATION OR HANDLING.
	DO NOT CONSTRUCT ROW ON FLOOR & LIFT TO CEILING.		CEILING TO BE PROPERLY REINFORCED TO SUPPORT WEIGHT OF THE FIXTURE.

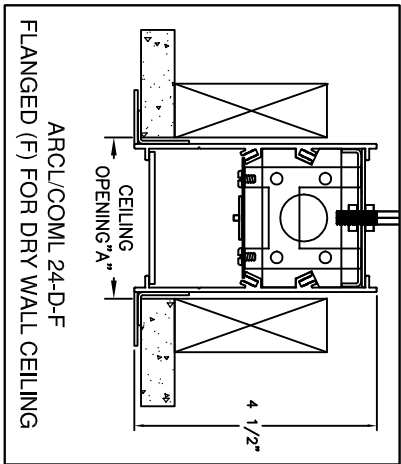


1. CONSTRUCT CEILING OPENING PER JOB DRAWINGS. REMOVE LENS AND LED TRAY.
2. HANG FIXTURE. INSTALL 1/4-20 ROD IN MOUNTING LOCATIONS ACCORDING TO JOB DRAWINGS. LIFT FIXTURE INTO POSITION AND SECURE MOUNTING.
3. HANG NEXT FIXTURE. CONNECT HARNESS ENDS AND JOIN TO ALREADY HUNG FIXTURE USING SUPPLIED HARDWARE. CONTINUE HANGING AND JOINING FIXTURES UNTIL ROW IS COMPLETE.
4. REMOVE ACCESS PLATE AND BRING FEED WIRES INTO FIXTURE. CONNECT SUPPLY WIRES AND FIXTURE WIRES USING APPROPRIATE CONNECTOR PER LOCAL ELECTRICAL CODES. INSTALL APPROPRIATE STRAIN RELIEF PER LOCAL ELECTRICAL CODE. STANDARD WIRING DIAGRAM SHOWN, REFER TO JOB DRAWINGS FOR JOB SPECIFIC WIRING.
6. REINSTALL LED TRAYS AND LENSES AFTER ALL WIRING CONNECTIONS ARE MADE AND ALL FIXTURES ARE HUNG. INSTALLATION IS COMPLETE.

MUST BE INSTALLED BY A QUALIFIED ELECTRICIAN. DISCONNECT POWER DURING INSTALLATION/SERVICING. ROW CONFIGURATION IS JOB SPECIFIC. CONSULT SHOP DRAWINGS BEFORE CONSTRUCTING ROWS. STANDARD OPTIONS/SIZES SHOWN. OTHER OPTIONS AVAILABLE WITH SIMILAR INSTALLATION. BE SURE TO UNDERSTAND ALL PROCEDURES PRIOR TO INSTALLATION. IMPORTANT: THE NATIONAL ELECTRIC CODE REQUIRES THAT ANY FIXTURE IN EXCESS OF 50 POUNDS MUST BE INDEPENDENTLY SUPPORTED BY THE OUTLET BOX. DAY-O-LITE IS NOT RESPONSIBLE FOR INADEQUATE REINFORCEMENT OF STRUCTURAL SUPPORT SYSTEMS. DAY-O-LITE RESERVES THE RIGHT TO MAKE ANY MECHANICAL OR MATERIAL CHANGES TO THE FIXTURES WHICH DO NOT AFFECT THE APPEARANCE OR PERFORMANCE. THIS PRINT IS THE PROPERTY OF DAY-O-LITE AND THE INFORMATION IT CONTAINS MAY NOT BE USED WITHOUT WRITTEN CONSENT OF DAY-O-LITE.

MODEL NO.: ARCLCOML 24/44-D-F----	PAGE: SHEET 1 OF 2	PART NUMBER: 970014A0
CONTRACT INFORMATION: 128 Chestnut Street, Warwick, RI 02888 Tel. (401) 467-8232 Fax. (401) 941-2960 E-mail: sales@dayo-lite.com WWW: http://www.dayo-lite.com	ISSUED ON: 10/1/19	
DAY-O-LITE Lighting Without Limits		

ARCL/COML-D-F-PATTERN-INSTALLATION



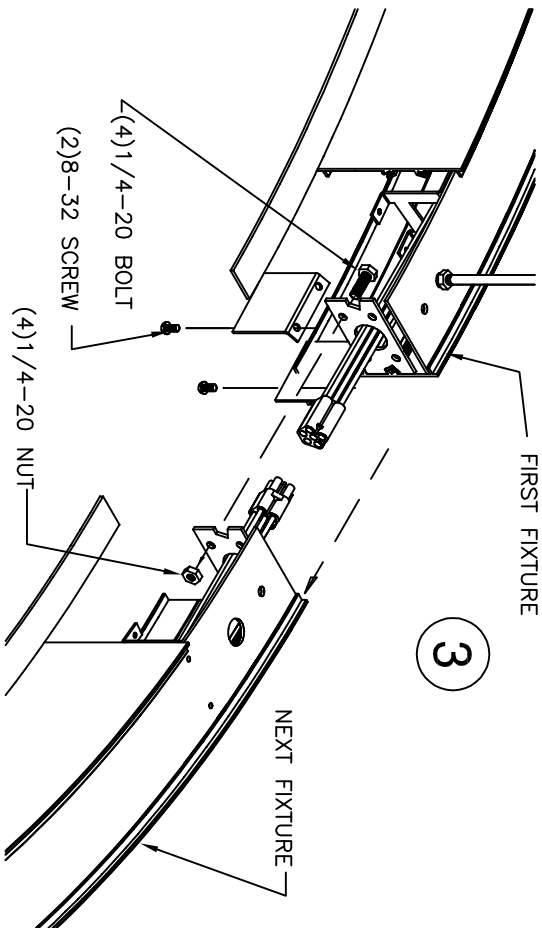
SERIES	CEILING OPENING "A"
ARCL/COML 14-D	2 5/32"
ARCL/COML 24-D	3"
ARCL/COML 44-D	4 1/4"

NOTE: BE SURE TO REMOVE PROTECTIVE LINER FROM LENSES TO BE INSTALLED WITH SMOOTH SIDE IN/TEXTURED SIDE OUT

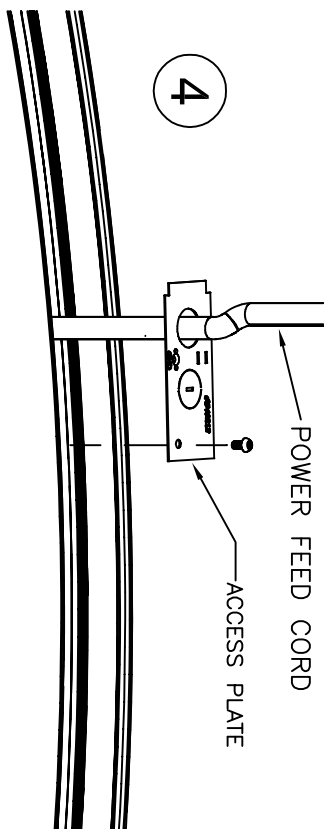
1. CONSTRUCT CEILING OPENING PER JOB DRAWINGS. REMOVE LENS AND LED TRAY.
2. HANG FIXTURE. INSTALL 1/4-20 ROD IN MOUNTING LOCATIONS ACCORDING TO JOB DRAWINGS. LIFT FIXTURE INTO POSITION AND SECURE MOUNTING

4. REMOVE ACCESS PLATE AND BRING FEED WIRES INTO FIXTURE. CONNECT SUPPLY WIRES AND FIXTURE WIRES USING APPROPRIATE CONNECTOR PER LOCAL ELECTRICAL CODES. INSTALL APPROPRIATE STRAIN RELIEF PER LOCAL ELECTRICAL CODE. STANDARD WIRING DIAGRAM SHOWN, REFER TO JOB DRAWINGS FOR JOB SPECIFIC WIRING
6. REINSTALL LED TRAYS AND LENSES AFTER ALL WIRING CONNECTIONS ARE MADE AND ALL FIXTURES ARE HUNG. INSTALLATION IS COMPLETE

3. HANG NEXT FIXTURE. CONNECT HARNESS ENDS AND JOIN TO ALREADY HUNG FIXTURE USING SUPPLIED HARDWARE. CONTINUE HANGING AND JOINING FIXTURES UNTIL ROW IS COMPLETE.



3

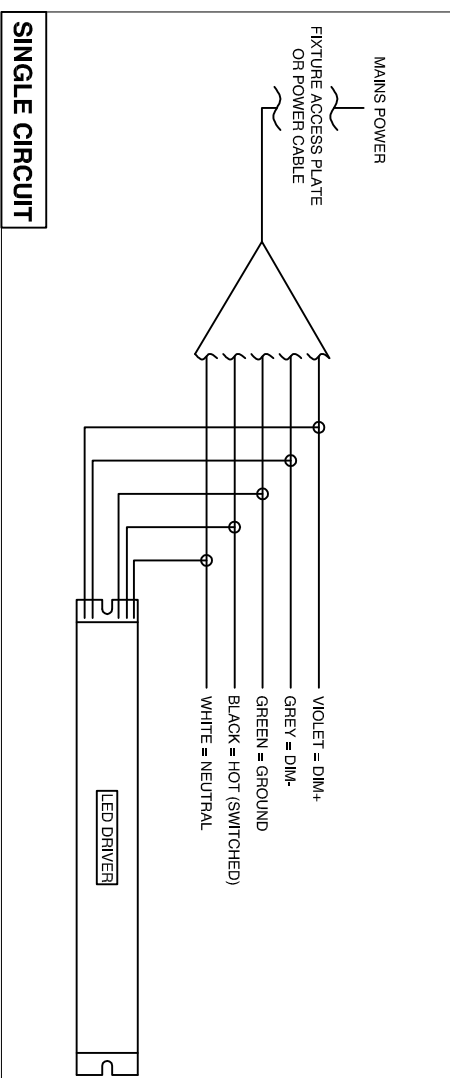


4

TO BE INSTALLED BY A QUALIFIED ELECTRICIAN IN ACCORDANCE TO LOCAL & NATIONAL ELECTRIC CODES.

DO NOT CONNECT LED TRAY(S) WHEN UNDER LOAD.

POWER FEED WIRE HARNESS (CUT END OFF FOR CONNECTION TO POWER FEED)



SINGLE CIRCUIT

- VIOLET = DIM+
- GREY = DIM-
- GREEN = GROUND
- BLACK = HOT (SWITCHED)
- WHITE = NEUTRAL

MUST BE INSTALLED BY A QUALIFIED ELECTRICIAN. DISCONNECT POWER DURING INSTALLATION/SERVICING. ROW CONFIGURATION IS JOB SPECIFIC. CONSULT SHOP DRAWINGS BEFORE CONSTRUCTING ROWS. STANDARD OPTIONS/SIZES SHOWN. OTHER OPTIONS AVAILABLE WITH SIMILAR INSTALLATION. BE SURE TO UNDERSTAND ALL PROCEDURES PRIOR TO INSTALLATION. IMPORTANT: THE NATIONAL ELECTRIC CODE REQUIRES THAT ANY FIXTURE IN EXCESS OF 50 POUNDS MUST BE INDEPENDENTLY SUPPORTED BY THE OUTLET BOX. DAY-O-LITE IS NOT RESPONSIBLE FOR INADEQUATE REINFORCEMENT OF STRUCTURAL SUPPORT SYSTEMS. DAY-O-LITE RESERVES THE RIGHT TO MAKE ANY MECHANICAL OR MATERIAL CHANGES TO THE FIXTURES WHICH DO NOT AFFECT THE APPEARANCE OR PERFORMANCE. THIS PRINT IS THE PROPERTY OF DAY-O-LITE AND THE INFORMATION IT CONTAINS MAY NOT BE USED WITHOUT WRITTEN CONSENT OF DAY-O-LITE.

MODEL NO.: ARCL/COML 24/44-D-F----	PAGE: SHEET 1 OF 2	PART NUMBER: 970014A0
CONTACT INFORMATION: 128 Chestnut Street, Warwick, RI 02888 Tel. (401) 467-8232 Fax. (401) 941-2960 E-mail: sales@dayville.com WWW: http://www.dayville.com	ISSUED ON: 10/1/19	

DAY-O-LITE
Lighting Without Limits