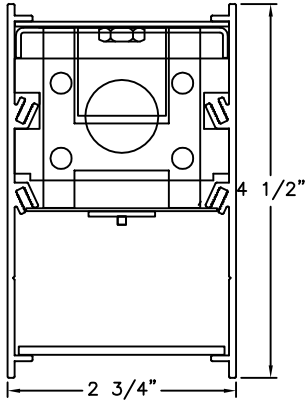


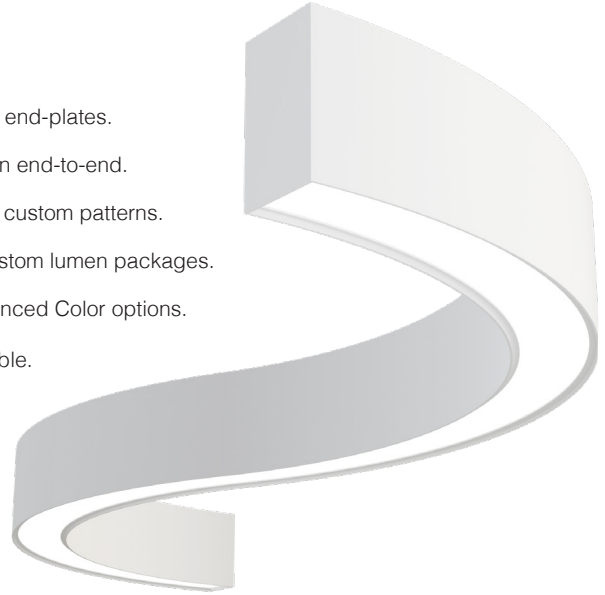


Date	Notes
Project	
Type	Qty



### Features

- Custom-rolled aluminum housing w/welded end-plates.
- LED optimized optics for smooth illumination end-to-end.
- Suspension mount for individual fixtures or custom patterns.
- High efficiency programmable driver for custom lumen packages.
- Static White, Tunable White, RGBW & Advanced Color options.
- Bios SkyBlue™ circadian technology available.
- A **Declare** Red List Approved product.



### Ordering Guide

MODEL	OPTICS	CCT	LUMENS	SIZE <sup>4</sup>	MOUNTING	FINISH	OPTIONS
<b>ARCL-24S-D</b>	<b>DP</b>						
ARCL-24S-D Direct	DP = Diffuse Polycarbonate (lay-in)	<p><b>STATIC WHITE<sup>1</sup></b> 27 = 2700K 30 = 3000K 35 = 3500K 40 = 4000K 50 = 5000K</p> <p><b>BIOS SkyBlue<sup>2</sup></b> Spectrally optimized circadian solutions.</p> <p><b>TUNABLE WHITE<sup>3</sup></b> (2700K-6500K) 2DIM10 = 0-10V 2DMX = DMX 2CAS = Casambi</p> <p><b>DIM-TO-WARM</b> (2700K-6500K) D2W = Dim-to-Warm</p> <p><b>RGB + WHITE<sup>3</sup></b> RGBW = RGBW RGBWW = RGBWW</p> <p><b>ADVANCED COLOR<sup>3</sup></b> 125mm incremental pixel color control for chase and animated effects. Direct only.</p>	<p><b>SIZE 26</b> LO = 468/ft (5W/ft, 94LPW) SO = 622/ft (6.5W/ft, 96LPW) HO = 780/ft (8W, 98LPW)</p> <p><b>SIZE 210</b> LO = 447/ft (5W/ft, 89LPW) SO = 595/ft (6.5W/ft, 92LPW) HO = 744/ft (8W, 93LPW)</p> <p><b>SIZE 214</b> LO = 392/ft (5W/ft, 78LPW) SO = 523/ft (6.5W/ft, 80LPW) HO = 654/ft (8W, 82LPW)</p> <p>Consult factory for additional lumen packages.</p>	<p>26 = 2'x6' 210 = 2'x10' 214 = 2'x14'</p> <p>For custom sizes see configuration instructions page 4.</p>	<p>S</p> <p>AC = Aircraft Cable</p> <p>PD = Pendant Stem</p> <p>F = Flange</p> <p>TRL = Trimless</p> <p>S = Surface Mount</p>	<p>W = White</p> <p>CC = Custom Color</p> <p>AMW = Anti-Microbial White</p>	<p><b>DIMMING DRIVERS</b> DIM10 = 0-10V (1%) - <b>Standard</b> DIMSR = 0-10V (5.0%) Sensor Ready DIMST = Step Dimming (40%/100%) DALI = DALI (5.0%) DMX = DMX</p> <p><b>LUTRON™ DIMMING DRIVERS</b> LDE1 = Hi-Lume™ 1% EcoSystem™ L3DA3W = Hi-Lume™ 1% 3-Wire</p> <p><b>SENSORS &amp; CONTROLS</b> NLT = nLIGHT (Acuity) ESN = EasySense (Philips) WLX = WaveLinX (Cooper) CRT = NX (Current) AWN = Athena (Lutron) VDO = Vive (Lutron) CAS = Casambi Bluetooth</p> <p><b>EMERGENCY</b> EMC = Emergency Circuit GTDX* = Generator Transfer Device</p> <p>*X = 4W, 7W, 10W or 12W</p>

<sup>1</sup> CCT @ 80+CRI, 3SDCM. For 90CRI add prefix '9'; ex: 935 = 3500K, 90CRI.

<sup>2</sup> BIOS SkyBlue Biological Static & Dynamic page 3.

<sup>3</sup> Tunable White, RGB +White and Advanced Color ordering codes page 2.

<sup>4</sup> See page 4 for actual fixture lengths and custom sizes.



## TUNABLE WHITE - Fixture Level Control



Day-O-Lite offers Tunable White in a range from 2700K-6500K CCT @ 80+CRI and 3SDCM color accuracy for a range of two-channel control options. Consult factory for 90CRI, electrical specifications and other details for each option below.

**2SNS** Option combines tunable white light with a fixture integrated occupancy and daylight harvesting sensor. CCT and intensity is controlled wirelessly with kinetic switches (by Illumra and others). Occupancy and daylight harvesting controlled automatically with parameters configurable with the Philips MasterConnect app available for Android and iPhone smart phones.

### Applications:

- Spaces occupied overnight (~ 7pm to 7am)
- 24-hour spaces
- Shiftwork & Hospitals
- Senior Living, Alzheimer's Dementia & Assisted Living
- Higher Education, including student and staff
- Workplace, including areas occupied after 7pm

### Ordering Codes:

**2DIM10** = 0-10V  
**2DMX** = DMX  
**2CAS** = Casambi Wireless  
**2SNS** = Philips EasySense Wireless  
**2PSQ** = Lutron Quantum  
**2AWN** = Lutron Athena Wireless Node  
**2ATNS** = Lutron Athena Wireless Sensor

## RGB + WHITE - Fixture Level Control



Combine RGB for color effects with LO/SO/HO white CCT's for **general illumination** in a host of applications. All options require DMX control (by others). 80CRI w/3SDCM color accuracy is standard. Consult factory for 90CRI, electrical specifications and other details for each option below. May not be compatible with all variations of PRFL-24 -consult factory for details when ordering.

### Applications:

- Entertainment Spaces
- Hospitality & Banquet
- Theatre & Stage
- Seasonal Applications
- Branding
- Wayfinding

### Ordering Codes:

**RGB** = RGB only  
**RGB27** = RGB w/2700K  
**RGB30** = RGB w/3000K  
**RGB35** = RGB W/3500K  
**RGB40** = RGB w/4000K  
**RGB50** = RGB w/5000K

## ADVANCED COLOR - 125mm Pixel Level Control



Day-O-Lite's Advanced Color options combine RGB or RGBW with multi-pixel control for advanced **chases**, animated **visual effects** and other programmable scenes with **125 mm pixel** granularity. Choose from a vibrant color palette with RGB or RGBW LEDs for seamless color mixing and dimming - the perfect replacement for glass neon with improved reliability and durability.

Requires configuration with a remote proprietary digital drive power supply. Auto-addressing makes setup and commissioning quick and easy. DMX (by others) required for control. May not be compatible with all variations of PRFL-24 - consult factory for all details when ordering.

### Applications:

- Architectural Installations
- Digital Signage
- Arcades, Clubs
- Theatre & Stage
- Film & TV sets
- Indoor/Outdoor (IP66)

### Ordering Codes:

**ACRGB** = RGB only  
**AC27** = RGB w/2700K  
**AC30** = RGB w/3000K  
**AC40** = RGB w/4000K

## BIOS SkyBlue

BIOS SkyBlue biological technology brings the benefits of blue skies inside. BIOS SkyBlue is the only spectrally optimized circadian solution to pinpoint the region that drives wellness benefits including: increased alertness, enhanced productivity, better mood, and better sleep. More information may be found at [www.bioslighting.com](http://www.bioslighting.com) or by contacting Day-O-Lite directly.

## BIOS Biological Static - Daytime Solution

BIOS Biological Static solutions are designed for daytime applications. BIOS Static Biological LED features key BIOS SkyBlue™ (490nm) for maximum daytime circadian impact. BIOS Static Biological LED Light Engines are available in 3000K, 3500K, and 4000K. Lighting controls are easy; simply switch the lights on/off or the lights can be dimmed using a single-channel constant current (CC) LED driver with any standard dimming interface.

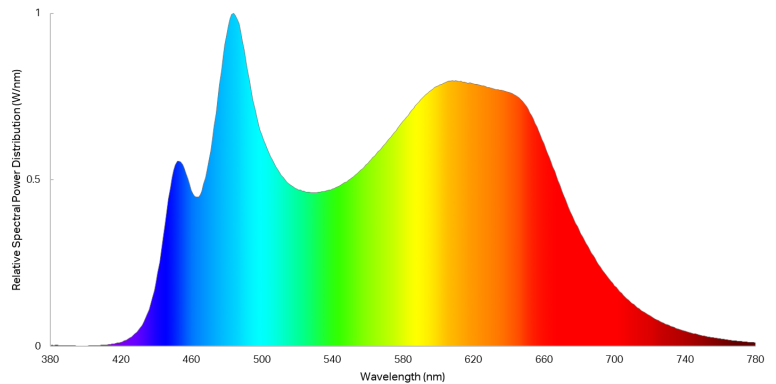
Applications:

- Spaces occupied during the daytime ~7am – 7pm
- K-12 Schools / Higher Education
- Offices
- Daytime Adult Care Facilities
- Medical Offices

BIOS Biological Static  
Ordering Codes:

- B30** = 3000K
- B35** = 3500K
- B40** = 4000K

BIOS Biological Static 3500K



## BIOS Biological Dynamic - Day & Night Solution A

BIOS Biological Dynamic solutions are designed to transition from daytime to evening in a dim-to-warm protocol. The daytime CCT includes full BIOS SkyBlue™ (490nm) for maximum daytime circadian impact, while the evening spectrum removes BIOS SkyBlue™ altogether, providing a minimal circadian stimulus after hours. Available in 3000K-2700K, 3500K-3000K and 4000K-3500K. Simply dim the lights in the evening to remove the daytime SkyBlue wavelengths (490nm) and convert your lights from day mode to night mode via a single controller (0-10V, ELV, DMX, Wireless).

## BIOS Biological Tunable White - Day & Night Solution B

BIOS Biological Tunable solutions are designed to transition from daytime to evening in a dim-to-warm protocol. The daytime CCT includes full BIOS SkyBlue™ (490nm) for maximum daytime circadian impact, while the evening spectrum removes BIOS SkyBlue™ altogether, providing a minimal circadian stimulus after hours. Available in 3000K-2700K, 3500K-3000K and 4000K-3500K. Simply dim the lights in the evening to remove the daytime SkyBlue wavelengths (490nm) and convert your lights from day mode to night mode via a single controller (0-10V, ELV, DMX, Wireless).

BIOS Biological Tunable is also compatible with two-channel color tuning systems. Simply dim the lights in the evening to convert your lights from day mode to night mode via a multi-channel controller (0-10V, ELV, DMX, Wireless). 3000K, 3500K and 4000K CCTs all dim to 2700K.

Applications:

- Spaces occupied overnight (~ 7pm to 7am)
- 24-hour spaces
- Shiftwork & Hospitals
- Senior Living, Alzheimer’s Dementia & Assisted Living
- Higher Education, including student and staff
- Workplace, including areas occupied after 7pm

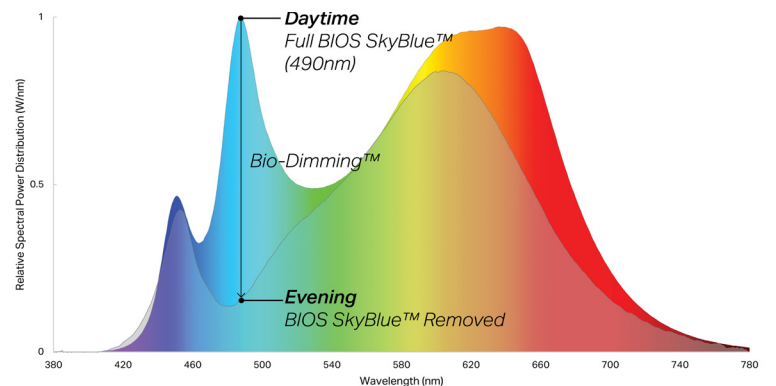
BIOS Biological  
Dynamic White  
Ordering Codes:

- B30D** = 3000K-2700K
- B35D** = 3500K-3000K
- B40D** = 4000K-3500K

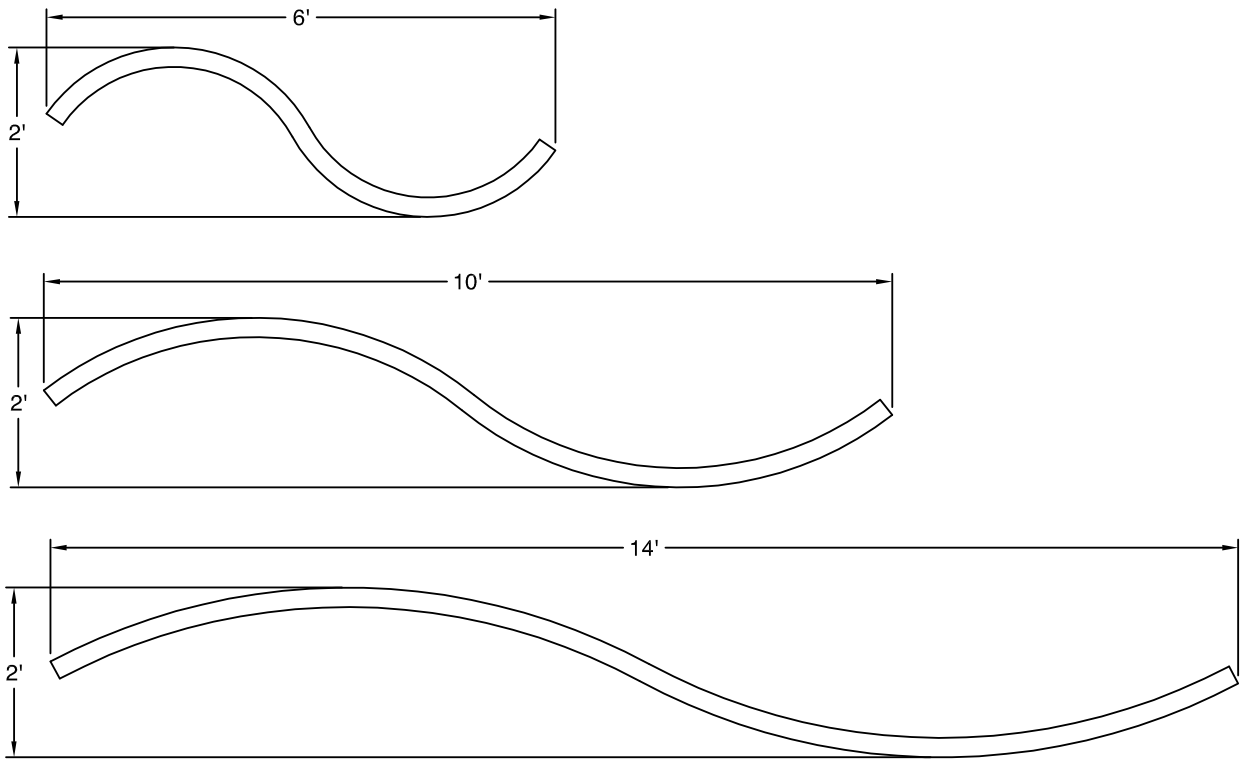
BIOS Biological  
Tunable White  
Ordering Codes:

- B30T** = 3000K-2700K
- B35T** = 3500K-2700K
- B40T** = 4000K-2700K

BIOS Biological Dynamic 3500K



### Standard Sizes

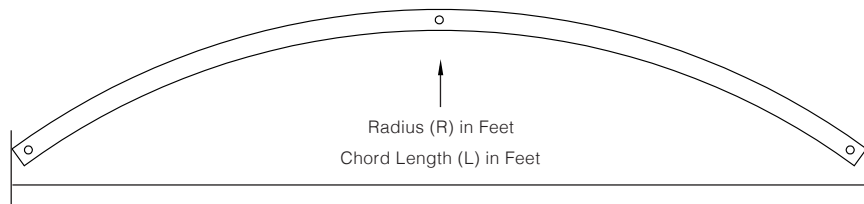


### Custom Size Configuration

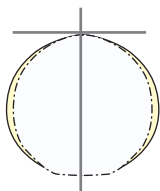
ARC-24S may be ordered in virtually any radius and length and is easy to specify. Simply use order code "XRL" where XR = Radius, and L = Length in feet. Day-O-Lite will design length to closest LED module length and provide drawings for approval.

**Examples:**

- 30' radius, 20' length = 30R20
- 10' radius, 12' length = 10R12
- 6' radius, 4' length = 6R4



### Photometry



ARCL-24S-D

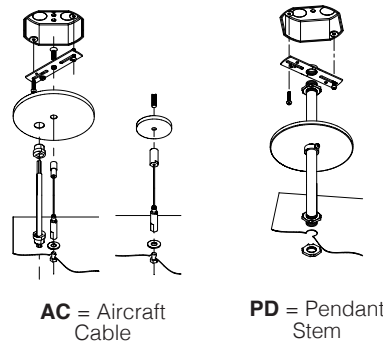
SIZE	LO LUMENS	LO WATTS	LO LPW	SO LUMENS	SO WATTS	SO LPW	HO LUMENS	HO WATTS	HO LPW
26	3273	35	94	4356	46	95	5465	56	98
210	4921	56	88	6547	72	91	8184	88	93
214	5885	76	77	7845	98	80	9810	120	82

3500K @ 80CRI, 4/ft, 100% direct distribution, DP lens (download IES files @ [www.dayolite.com](http://www.dayolite.com)).

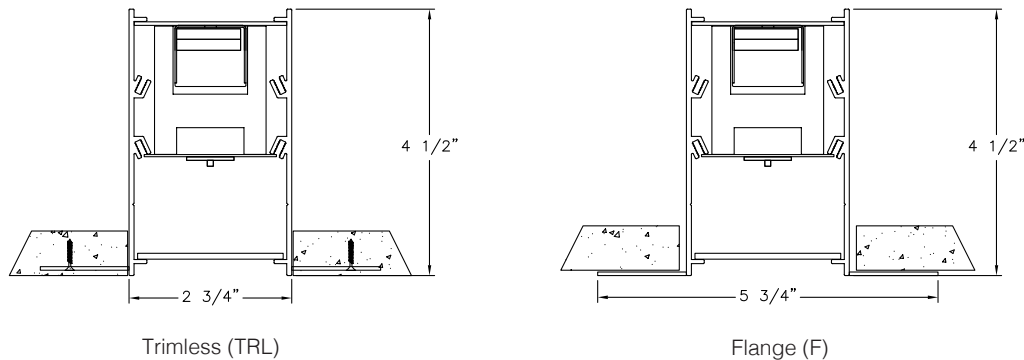
## Standard Suspensions

Standard suspension options include adjustable self-locking aircraft cables (AC) and rigid pendant stems (PD). AC assembly is 48" x 1/16" with a 5" feed canopy and 2" suspension canopies. 60" 18 gauge power and 22 gauge dimming control SJT feed.

PD assemblies are 5/8" dia. (or 3/8" IP) hollow stem for power feed by others, 24" is standard. Consult factory for longer suspension lengths and other mounting options.



## Additional Mounting Options



## Specifications

**CONSTRUCTION** Extruded aluminum housing w/aluminum end caps. Steel internal components.

**REFLECTOR** Die-formed steel finished in highly reflective baked white enamel with pre-finished reflective LED tray.

**OPTICS** LED optimized diffuse polycarbonate (DP) lay-in lens.

**LED** Static white LED modules in 30/35/40 & 50K CCT, 80/90CRI. Lumen maintenance minimum  $L_{70}$  = 50,000 hours. 3 SDCM color consistency. BIOS SkyBlue, RGBW, Tunable White and Advanced Color options available. Field replaceable.

**DRIVER** Standard driver is Class 2 AOC 0-10V to 1%, 120/277V input, PF > 90%, THD < 20 @ 120V. Additional dimming protocols available. Drivers prewired from factory for connection to control system (by others); field replaceable.

**MOUNTING** Standard options include adjustable self-locking aircraft cables (AC), and rigid pendant stems (PD). AC assembly is 48" x 1/16" with a 5" feed canopy and 2" suspension canopies. 18 gauge power and 22 gauge dimming control SJT feed. PD assemblies are 5/8" dia. (or 3/8" IP) hollow stem for power feed by others, 24" is standard.

**FINISH** Housing and components finished in baked white enamel. Canopies and pendant stems are white enamel unless otherwise specified.

**CERTIFICATION** Luminaires are cETLus listed conforming to UL STD. 1598 and certified to CSA STD C22.2 NO. 250.0. Suitable for dry & damp locations. Union Made in the United States of America. I.B.E.W. RoHS compliant. DLC V5.1 listed. Declare Red List Approved.