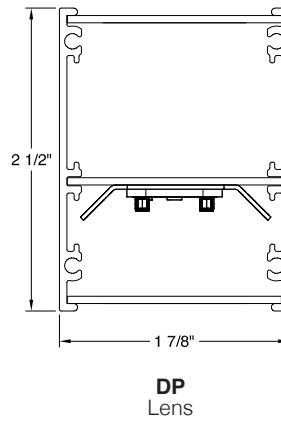


Date		Notes
Project		
Type	Qty	

Features

- Custom curves from 10" radius upward.
- Extruded aluminum housing w/flat or round end caps.
- LED optimized optics for smooth, efficient illumination.
- Individual fixtures, continuous rows or custom patterns.
- Programmable driver for custom lumen packages.
- 0-10V dimming to 1% standard. Dim-to-off available.
- DMX, Lutron and DALI protocols also available.
- Sensor Ready for wireless Smart Lighting Solutions.
- 80/90CRI, Tunable White, RGBW & RGBWW.
- Bios SkyBlue™ circadian solutions available.

Declare Red List Approved.



Ordering Guide



MODEL	OPTICS	CCT	LUMENS ⁵	SIZE	MOUNTING ⁶	FINISH	OPTIONS
ARCL-22-D	DP						
ARCL-22-D Direct	DP = Diffuse Polycarbonate (lay-in)	<p>STATIC WHITE¹ 27 = 2700K 30 = 3000K 35 = 3500K 40 = 4000K 50 = 5000K</p> <p>BIOS SkyBlue² Spectrally optimized circadian solutions.</p> <p>TUNABLE WHITE³ (2700K-6500K) 2DIM10 = for 0-10V 2DMX = for DMX 2ESN = for Philips 2CAS = for Casambi</p> <p>DIM-TO-WARM³ (2700K-6500K) DTW = Dim-to-Warm</p> <p>RGBW³ RGB = RGB RGBW = RGBW⁴ RGBWW = RGBWW (2700K-6500K)</p>	<p>LO = 525/ft (5W/ft, 105LPW) SO = 700/ft (7W/ft, 100LPW) HO = 825/ft (9W/ft, 97LPW)</p> <p>CUSTOM LUMENS For custom lumens please specify < HO.</p>	Arc is a 100% customizable product. See page 2 for instructions for creating SIZE ordering code and for custom patterns.	<p>AC = Aircraft Cable PD = Pendant Stem S = Surface Mount</p>	<p>W = White CC = Custom Color AMW = Anti-Microbial White</p>	<p>DIMMING DRIVERS⁷ DIM10 = 0-10V (1%) - Standard DTO = 0-10V (Dim-to-Off) DIMST = 0-10V Step Dimming 347 = 0-10V (347V) DIMSR = DALI Sensor Ready (5.0%) DALI = DALI (5.0%) DMX = DMX</p> <p>LUTRON™ DIMMING DRIVERS LDE1 = Hi-Lume 1% EcoSystem LD2 = Digital 1% (DALI-2) L3DA3W = Hi-Lume 1% 3-Wire</p> <p>SENSORS & CONTROLS⁸ ESN = EasySense Sensor AWNS = Lutron Athena Sensor AWNR = Lutron Athena Node CAS = Casambi Wireless Control (More options page 7)</p> <p>EMERGENCY^{7/9} EMC = Emergency Circuit GTD = Generator Transfer Device EPC4 = 4W Emergency Battery Pack EPC6 = 6.5W Emergency Battery Pack EPC10 = 10W Emergency Battery Pack EPC12 = 12W Emergency Battery Pack</p> <p>WIRING & OTHER FWH = Flexible Wiring Harness DWH¹⁰ = DMX Wiring Harness</p>

¹CCT @ 80+CRI, 3SDCM. For 90CRI add prefix '9'; ex: 935 = 3500K, 90CRI.

²BIOS SkyBlue Biological Static & Dynamic circadian lighting page 3.

³Tunable White, Dim-to-Warm and RGBW ordering codes page 2.

⁴Add white CCT to RGBW; ex: RGB35 = RGB w/3500K white.

⁵Lumens at 80CRI, 3500K, DP lens. Photometry page 5.

⁶See page 5 for mounting option details.

⁷Drivers and Emergency Battery packs may be limited by fixture radius. Consult factory for component fit.

⁸Sensors and control options to be commissioned in the field using applicable apps by qualified personnel; page 6.

⁹EPC6 is standard unless otherwise specified. EPC not for DMX drivers.

¹⁰DMX driver leads and through wiring with RJ-45 connectors.

TUNABLE WHITE - Fixture Level Control



Tunable White available in a range of 2700K-6500K CCT @ 80+CRI and 3SDCM color accuracy. Control via two 0-10V dimmers (one CCT, one intensity) controllers. Consult factory for 90CRI, electrical specifications and other details for each option below.

Applications:

- Spaces occupied overnight (~ 7pm to 7am)
- 24-hour spaces
- Shiftwork & Hospitals
- Senior Living, Alzheimer's, Dementia & Assisted Living
- Higher Education, including student and staff
- Workplaces, including areas occupied after 7pm

Ordering Codes:

2DIM10 = 0-10V
2DMX = DMX
2CAS = Casambi Wireless
2ESN = Philips EasySense Wireless (DT8, D4i, w/Occupancy & Daylight Harvesting. Requires wireless switches by others)

DIM-to-WARM - Fixture Level Control



Dim-to-Warm mimics incandescent dimming by warming the CCT from 6500K to 2700K as light levels are dimmed. Simply lower the intensity and CCT changes from high to low. Compatible with most 0-10V dimmers (by others). Ideal for hospitality, restaurants and living facilities.

Applications:

- Hospitality
- Entertainment
- Living Facilities

Ordering Code:

DTW = Dim-to-Warm (0-10V)

RGBW & RGBWW¹ - Fixture Level Control



RGB color effects plus white CCT lumens (LO/SO/HO) for general illumination in a host of applications. All options require DMX control (by others). White CCTs are 80CRI w/3SDCM color accuracy standard. Consult factory for details when ordering.

Applications:

- Entertainment Spaces
- Hospitality & Banquet
- Theatre & Stage
- Seasonal Applications
- Branding
- Wayfinding

Ordering Codes:

RGB = RGB only
RGB27 = RGB w/2700K
RGB30 = RGB w/3000K
RGB35 = RGB w/3500K
RGB40 = RGB w/4000K
RGB50 = RGB w/5000K
RGBWW = RGB & Tunable White (2700K-6500K)

¹RGBW, RGBWW options must be addressed and commissioned by knowledgeable controls/DMX professionals.

DWH integral DMX wiring harnesses available. Consult factory for details.

BIOS SkyBlue

BIOS SkyBlue biological technology brings the benefits of blue skies inside. BIOS SkyBlue is the only spectrally optimized circadian solution to pinpoint the region that drives wellness benefits including: increased alertness, enhanced productivity, better mood, and better sleep. More information may be found at www.bioslighting.com or by contacting Day-O-Lite directly.

BIOS Biological Static - Daytime Solution

BIOS Biological Static solutions are designed for daytime applications. BIOS Static Biological LED features key BIOS SkyBlue™ (490nm) for maximum daytime circadian impact. BIOS Static Biological LED Light Engines are available in 3000K, 3500K, and 4000K. Lighting controls are easy; simply switch the lights on/off or the lights can be dimmed using a single-channel constant current (CC) LED driver with any standard dimming interface.

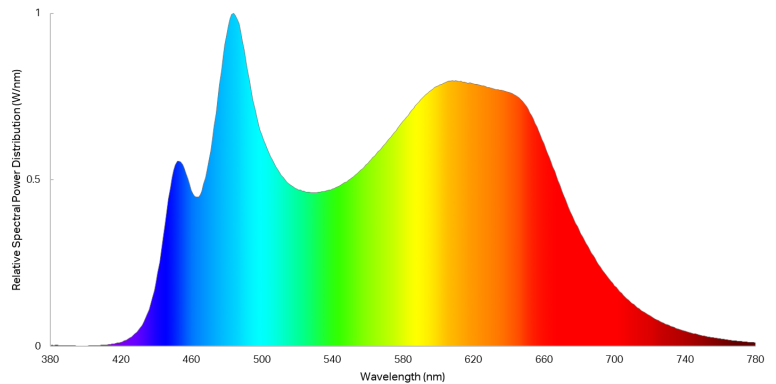
Applications:

- Spaces occupied during the daytime ~7am – 7pm
- K-12 Schools / Higher Education
- Offices
- Daytime Adult Care Facilities
- Medical Offices

BIOS Biological Static
Ordering Codes:

- B30** = 3000K
- B35** = 3500K
- B40** = 4000K

BIOS Biological Static 3500K



BIOS Biological Dynamic - Day & Night Solution A

BIOS Biological Dynamic solutions are designed to transition from daytime to evening in a dim-to-warm protocol. The daytime CCT includes full BIOS SkyBlue™ (490nm) for maximum daytime circadian impact, while the evening spectrum removes BIOS SkyBlue™ altogether, providing a minimal circadian stimulus after hours. Available in 3000K-2700K, 3500K-3000K and 4000K-3500K. Simply dim the lights in the evening to remove the daytime SkyBlue wavelengths (490nm) and convert your lights from day mode to night mode via a single controller (0-10V, ELV, DMX, Wireless).

BIOS Biological Tunable White - Day & Night Solution B

BIOS Biological Tunable solutions are designed to transition from daytime to evening in a dim-to-warm protocol. The daytime CCT includes full BIOS SkyBlue™ (490nm) for maximum daytime circadian impact, while the evening spectrum removes BIOS SkyBlue™ altogether, providing a minimal circadian stimulus after hours. Available in 3000K-2700K, 3500K-3000K and 4000K-3500K. Simply dim the lights in the evening to remove the daytime SkyBlue wavelengths (490nm) and convert your lights from day mode to night mode via a single controller (0-10V, ELV, DMX, Wireless).

BIOS Biological Tunable is also compatible with two-channel color tuning systems. Simply dim the lights in the evening to convert your lights from day mode to night mode via a multi-channel controller (0-10V, ELV, DMX, Wireless). 3000K, 3500K and 4000K CCTs all dim to 2700K.

Applications:

- Spaces occupied overnight (~ 7pm to 7am)
- 24-hour spaces
- Shiftwork & Hospitals
- Senior Living, Alzheimer’s Dementia & Assisted Living
- Higher Education, including student and staff
- Workplace, including areas occupied after 7pm

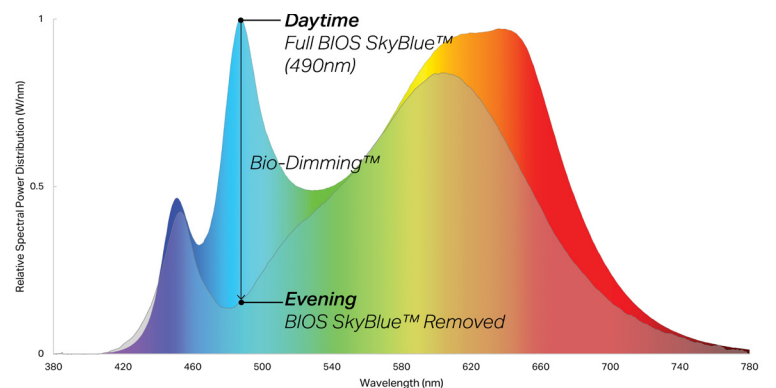
BIOS Biological
Dynamic White
Ordering Codes:

- B30D** = 3000K-2700K
- B35D** = 3500K-3000K
- B40D** = 4000K-3500K

BIOS Biological
Tunable White
Ordering Codes:

- B30T** = 3000K-2700K
- B35T** = 3500K-2700K
- B40T** = 4000K-2700K

BIOS Biological Dynamic 3500K

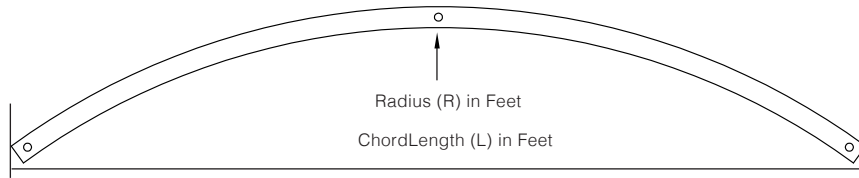


Configuring Size Code

Arc may be ordered in virtually any radius and length and is easy to specify. Simply use order code "XRL" where XR = Radius, and L = Length in feet. Day-O-Lite will design length to closest LED module length and provide drawings for approval.

Examples:

- 30' radius, 20' length = 30R20
- 10' radius, 12' length = 10R12
- 6' radius, 4' length = 6R4



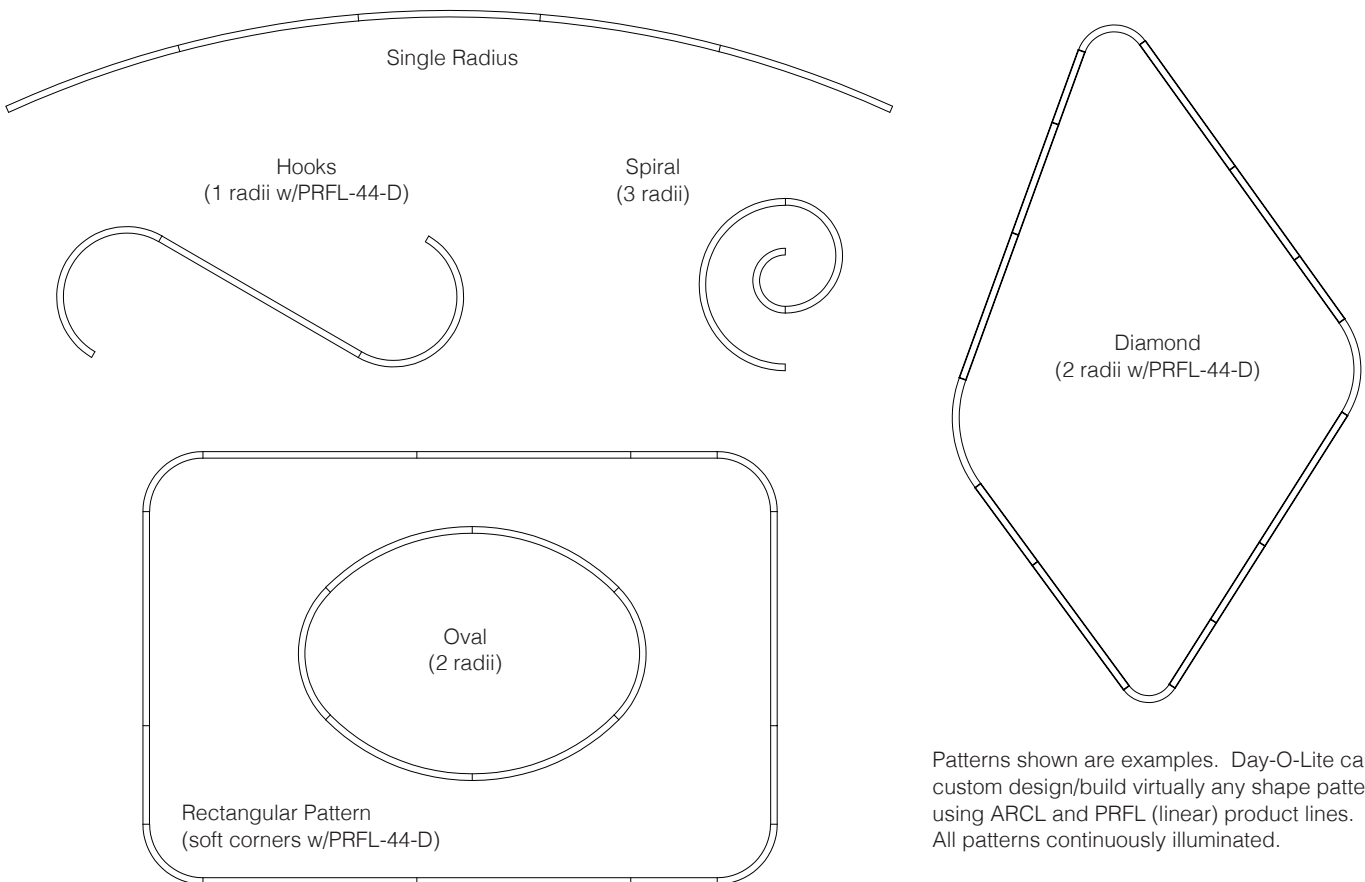
Pattern Guide

Arc may be specified in patterns of virtually any configuration. All patterns and radii are continuously illuminated and joined with included aligner brackets and joining hardware. See examples below for pattern suggestions. All Arc connectors and housings are fully welded to ensure correct dimensions without light leaks when assembled.

How to Specify

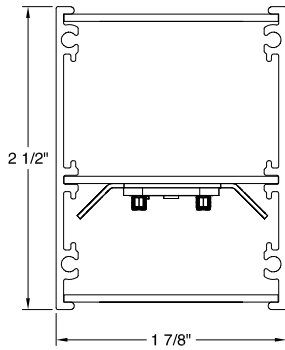
1. Submit your pattern to Day-O-Lite in dimensioned CAD file or submit a fully dimensioned PDF file.
2. If EPC/EMC or Sensors are to be included their location needs to be clearly noted.
3. Day-O-Lite will design your pattern to as close as is nominally possible given standard LED module lengths, including connectors.
4. Day-O-Lite will supply a detailed drawing for approval with final dimensions. All patterns must be approved prior to manufacture.

Pattern Examples



Patterns shown are examples. Day-O-Lite can custom design/build virtually any shape pattern using ARCL and PRFL (linear) product lines. All patterns continuously illuminated.

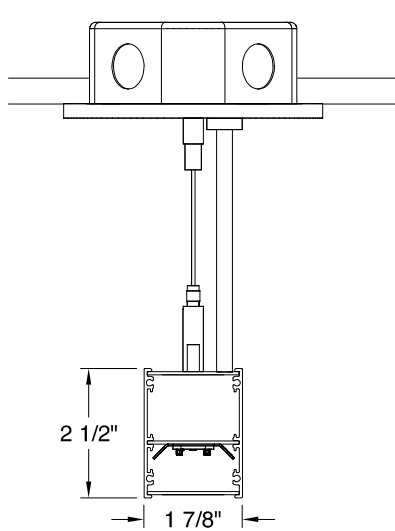
Optics



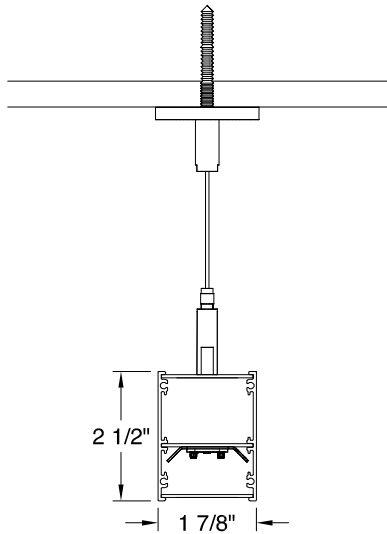
DP
Lay-in Lens

Mounting

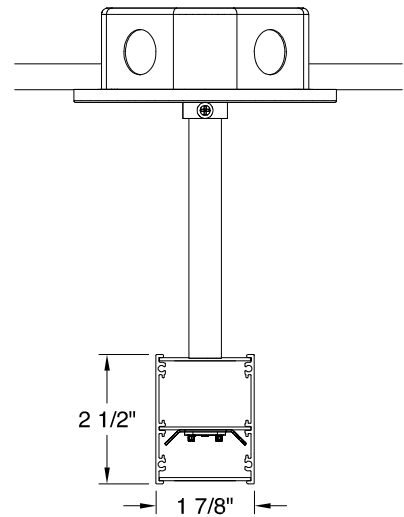
Standard suspension options include adjustable self-locking aircraft cables (AC) and rigid pendant stems (PD). AC assembly is 48" x 1/16" with a 5" feed canopy and 2" suspension canopies. 60" 18 gauge power and 22 gauge dimming control SJT feed. PD assemblies are 5/8" dia. (or 3/8" IP) hollow stem for power feed (by others); 24" is standard. Consult factory for longer suspension lengths and other mounting options.



AC
Feed Canopy 5"



AC
Non-Feed Canopy 2"



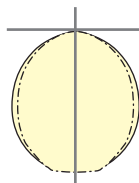
PD
5" Canopies Only

AC-PF = Replacement Power Feed w/cable Kit w/5" canopy.

AC-NF = Replacement Non/Feed Kit w/2" canopy.

Consult factory for custom lengths and either 5 or 6 wire power feeds.

Photometry



ARCL-22-D-DP-40-**LO**-4
Diffuse Poly (DP)

4000K CCT
WATTS: 20
LUMENS: 2100
LPW: 105

ARCL-22-D-DP-40-**SO**-4
Diffuse Poly (DP)

4000K CCT
WATTS: 27
LUMENS: 2800
LPW: 100

ARCL-22-D-DP-40-**HO**-4
Diffuse Poly (DP)

4000K CCT
WATTS: 34
LUMENS: 3300
LPW: 97

3500K @ 80CRI, 4', **DP** lens.

Use the following multipliers for other CCTs: 2700K x 0.96, 3000K x 0.98, 4000K x 1.02, 5000K x 1.03. IES files @ www.dayolite.com

Smart Lighting Solutions¹ offer energy savings & building code compliance to meet today's energy saving requirements; solutions that combine sensors and controls with features including occupancy sensing, daylight harvesting, reporting, tunable white, temperature sensing and integration with a wide variety of room/building control systems (by others).

The following offerings are for fixture-integral sensors and controls. Day-O-Lite luminaires are also compatible with many remote sensor/control systems not shown here. Each manufacturer offers multiple options; not all catalogued below. Consult factory when ordering.

SMART SOLUTIONS ¹	ORDER CODES	MFG.	IMAGE ³	SENSING TYPE	DRIVER TYPE	SMART PHONE APP ⁴	FUNCTION	TUNABLE WHITE & RGBW
	AVP	Avi-on		PIR/PCell	0-10V	Avi-on Mobile	Occupancy	No
	AVM			Microwave			Occupancy Daylight	
	BNV	BubblyNet		PIR & Photocell	0-10V	BubblyNet	Occupancy Daylight	No
	BND				DALI			
	CAS	Casambi		NA	0-10V DALI DMX	Casambi Pro	Wireless Control Only	Tunable RGBW
	ENC	Legrand Encelium		PIR & Photocell	0-10V DALI	Encelium Edge	Occupancy Daylight	Tunable White
	ENL	Enlighted		PIR & Photocell	0-10V	DLM Config	Occupancy Daylight Temp F/C	Tunable White
	LEG	Legrand Wattstopper		PIR/PCell	0-10V	DLM Config	Occupancy	No
				Microwave			Occupancy Daylight	
	ANS	Lutron Athena		PIR & Photocell	0-10V DALI-2	Athena App	Occupancy Daylight	Tunable White
	NLT	Acuity nLiGHT		PIR & Photocell	0-10V & LEDcode	nConfig	Occupancy Daylight	No
	NXC	Current NX		PIR & Photocell	0-10V	NX Connect	Occupancy Daylight	Tunable White
	ESN	Philips EasySense		PIR & Photocell	Signify Sensor Ready	Master Connect	Occupancy Daylight	Tunable White
	WVL	Cooper WaveLinX		PIR & Photocell	0-10V	WaveLinX Lite & Pro	Occupancy Daylight	No

¹Not all options above available in all markets. Design and specifications subject to change. Some options may not fit ARCL-22. Images may not be representative of actual component. Wireless control devices require compatible wireless switches (by others) for manual control. All options are to be commissioned on site by qualified Individuals using appropriate apps (by others).

Specifications

CONSTRUCTION Custom rolled, extruded aluminum housing. 20 gauge cold rolled steel internal components. Custom radii down to 10".

REFLECTOR Die-formed steel finished in highly reflective baked white enamel with pre-finished reflective LED tray.

OPTICS LED optimized Diffuse Polycarbonate (DP) lens is standard.

LED: Static white LED modules in 30/35/40 & 50K CCT, 80/90CRI. Lumen maintenance minimum $L_{70}= 50,000$ hours. 3 SDCM color consistency. BIOS SkyBlue, RGB, RGBW, RGBWW, Tunable White and Dim-to-Warm options available; field replaceable.

DRIVER: Standard driver is Class 2 AOC 0-10V to 1%, Dim-to-Off available. 120/277V input, PF > 90%, THD < 20 @ 120V. DMX, DALI & Lutron protocols available. All drivers prewired for connection to control system (by others); field replaceable.

MOUNTING: Standard options include adjustable self-locking aircraft cables (AC), and rigid pendant stems (PD). AC assembly is 48" x 1/16" with a 5" feed canopy and 2" suspension canopies. 18 gauge power and 22 gauge dimming control SJT feed. May also be surface ceiling mounted. May also be ceiling/surface mounted.

FINISH: Housing and components finished in baked white enamel. Canopies and pendant stems are white enamel unless otherwise specified. 5" Feed canopy w/2" Suspension canopies.

CERTIFICATION: cETLus listed conforming to UL STD. 1598 and certified to CSA STD C22.2 NO. 250.0. Suitable for dry & damp locations. Union Made in the United States of America. I.B.E.W. RoHS and BAA compliant; contact factory for any BABAA requests . DLC V5.1 Standard Listed. Declare Red List Approved.

LEGAL: Day-O-Lite, a division of SCW Corporation. All rights reserved. The Day-O-Lite logo is a registered trademark of SCW Corporation. Day-O-Lite reserves the right to change specifications without notice for product improvement.